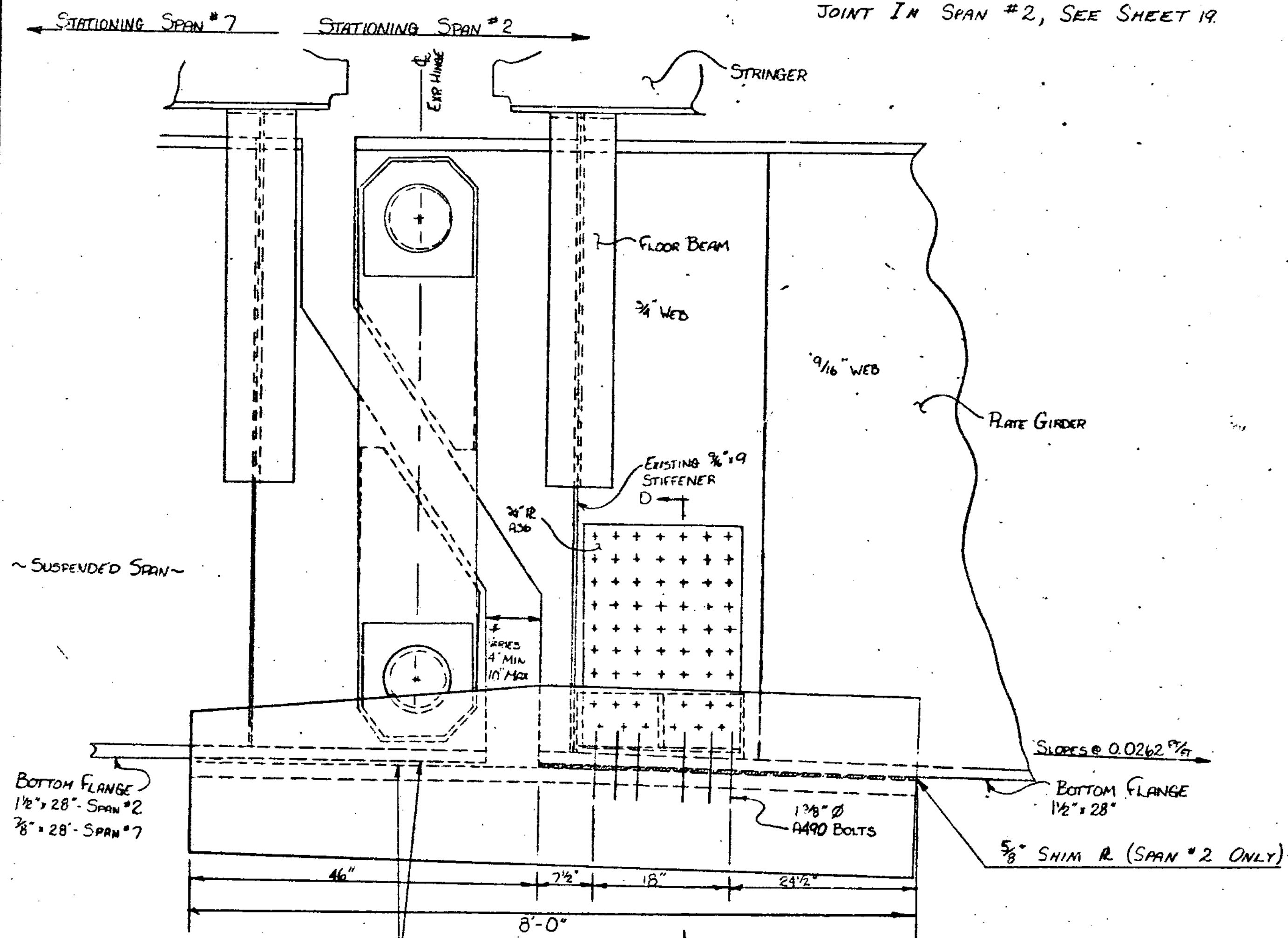
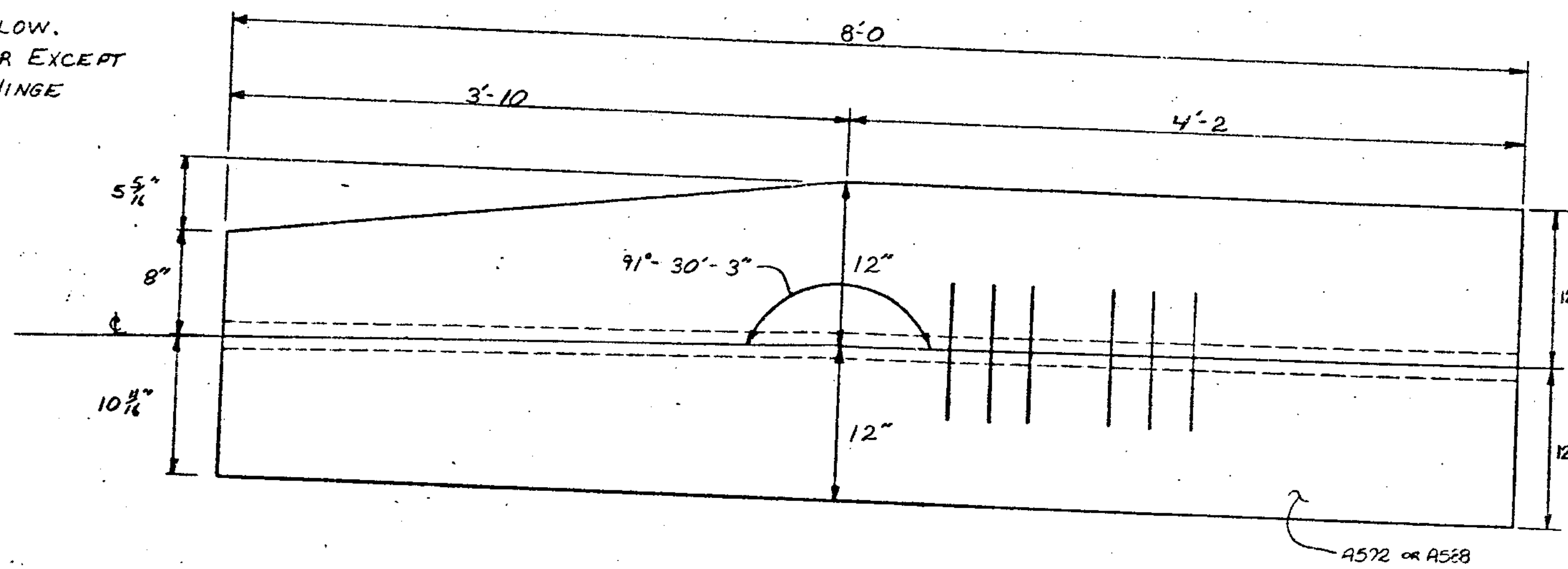


- NOTES 1. FOR LOCATION OF SECTION C-C, SEE SHEET 19.
 2. EXPANSION HINGE JOINT IN SPAN #2 SHOWN BELOW.
 EXPANSION HINGE JOINT IN SPAN #7 IS SIMILAR EXCEPT
 OPPOSITE HAND. FOR DETAILS OF THE FIXED HINGE
 JOINT IN SPAN #2, SEE SHEET 19.

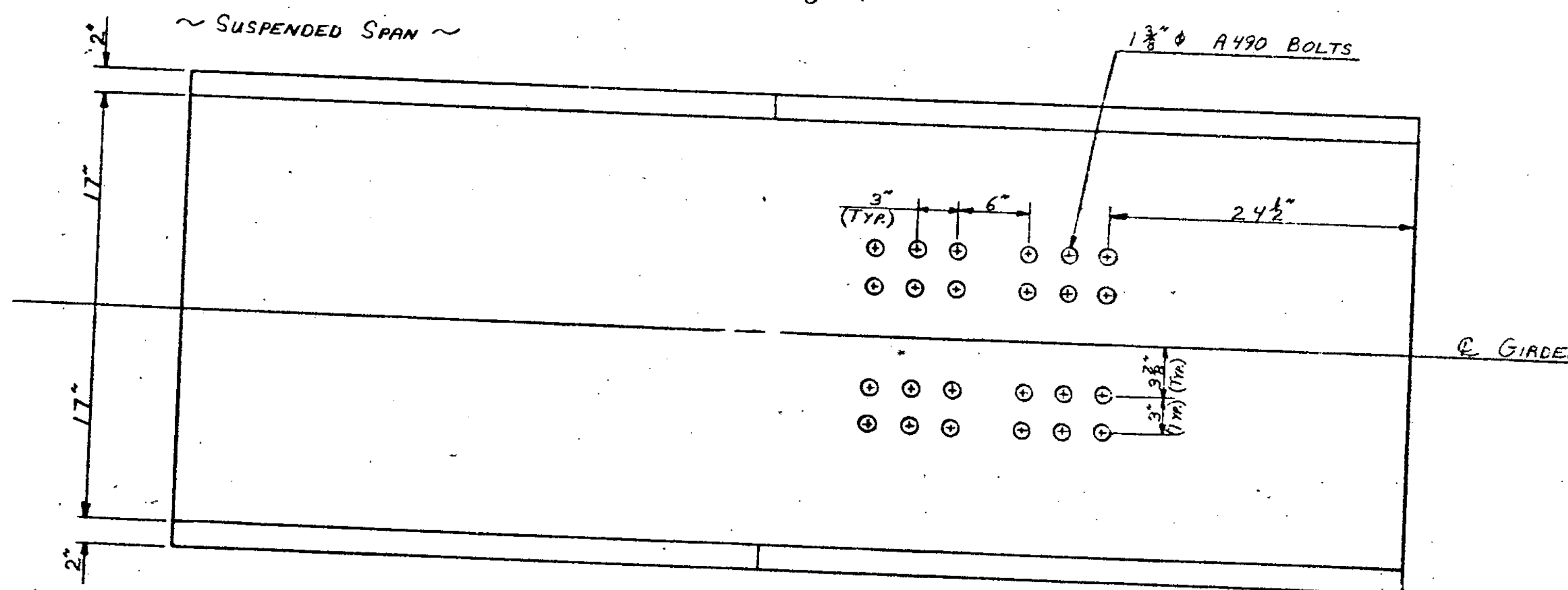


SECTION C-C
 SCALE 1" = 1'-0"

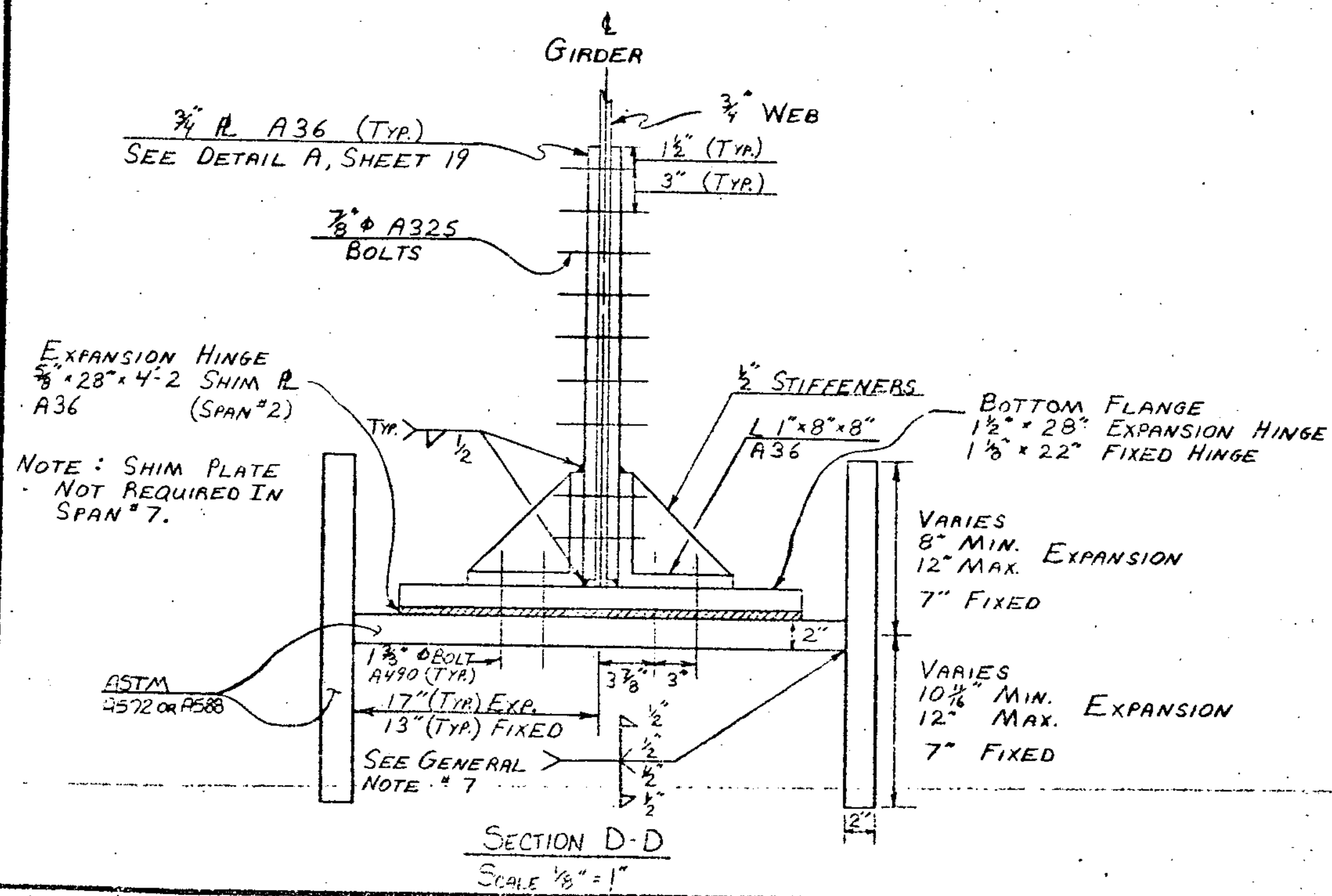
COAT INACCESSIBLE AREAS WITH GREASE, AFTER PAINTING AND PRIOR TO INSTALLATION. (SEE NOTE #1 ON SHEET 19.)



EXPANSION RETAINER ELEVATION
 SCALE 3/8" = 1"

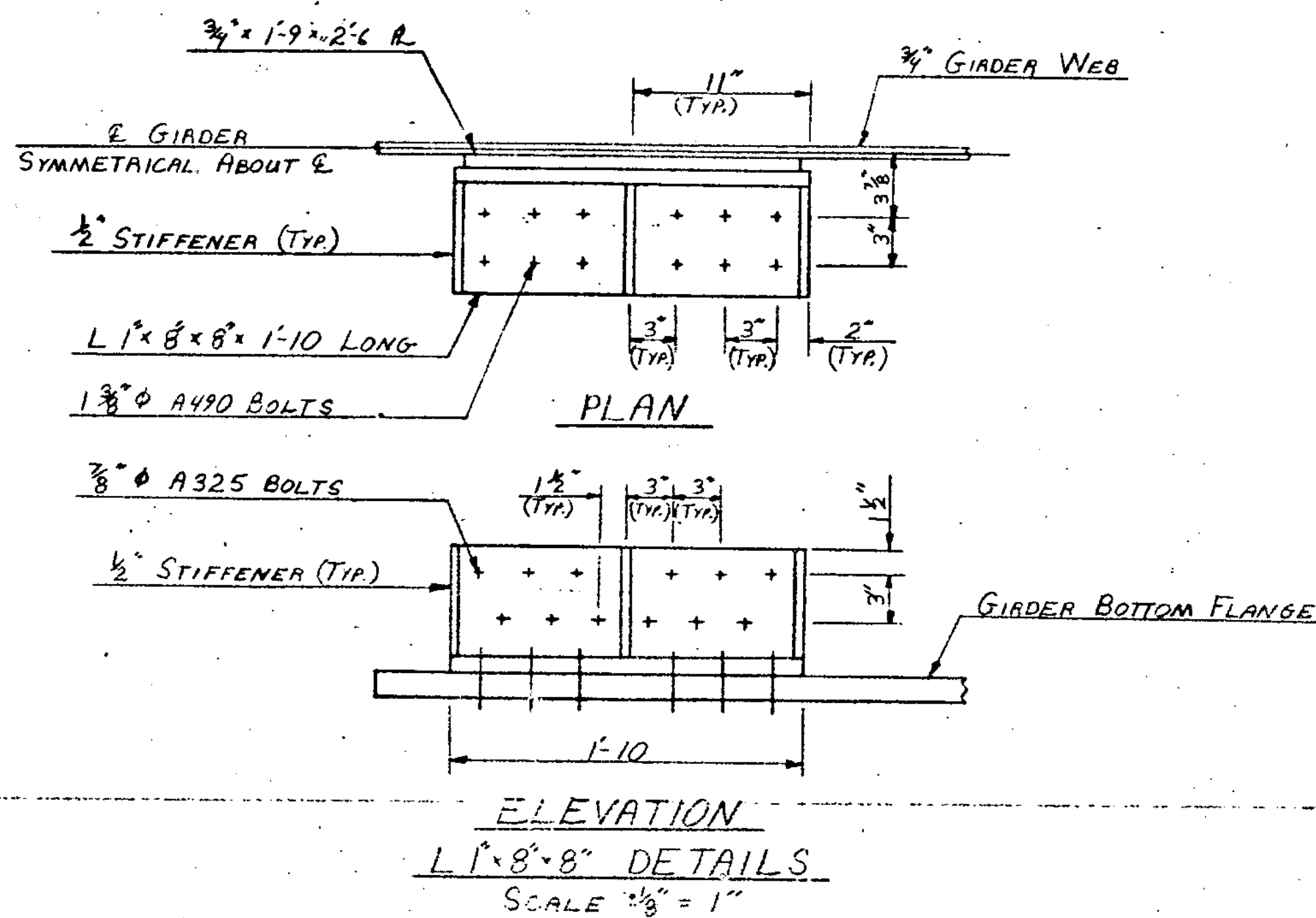


EXPANSION RETAINER PLAN
 SCALE 3/8" = 1"



SECTION D-D
 SCALE 1/8" = 1"

NOTE: SHIM PLATE NOT REQUIRED IN SPAN #7.



ELEVATION
 L 1 x 8 x 8 DETAILS
 SCALE 3/8" = 1"

STATE OF VERMONT
 AGENCY OF TRANSPORTATION

TOWN OF	HARTFORD	Bridge No.	44 N45
HIGHWAY NO.	191	Log Sta.	
EXPANSION HINGE RETAINERS DETAILS		Surv. Sta.	
191 OVER THE WHITE RIVER AND US RTE 4			
Designed by	A. ELWOOD	Drawn by	V. LYONS
Checked by	A. ELWOOD	Bridge Design Supervisor	P. S. HEURT
PROJECT	HARTFORD	PROJECT NO.	19-91-2(1)
Bridge Sheet No.		Sheet	20 of 30

BRIDGE 44 N45 191