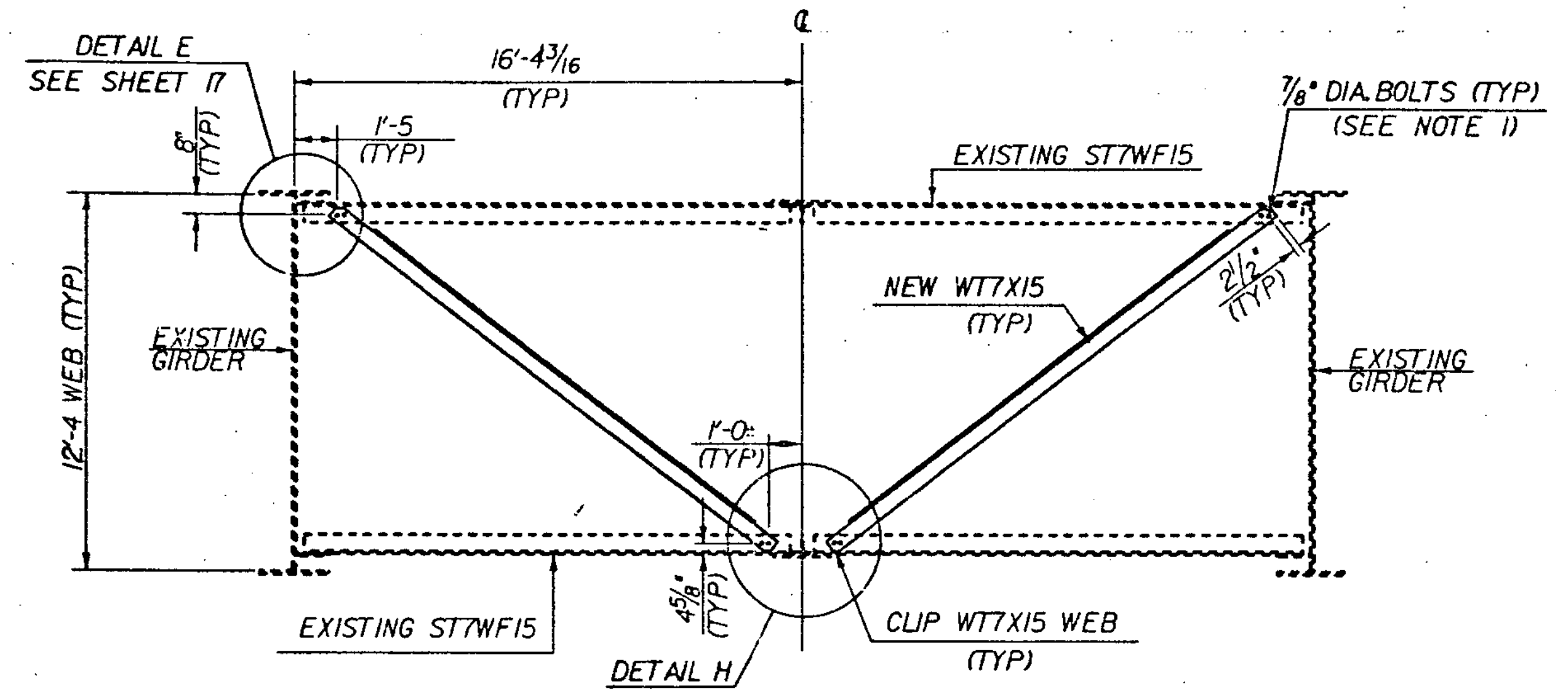
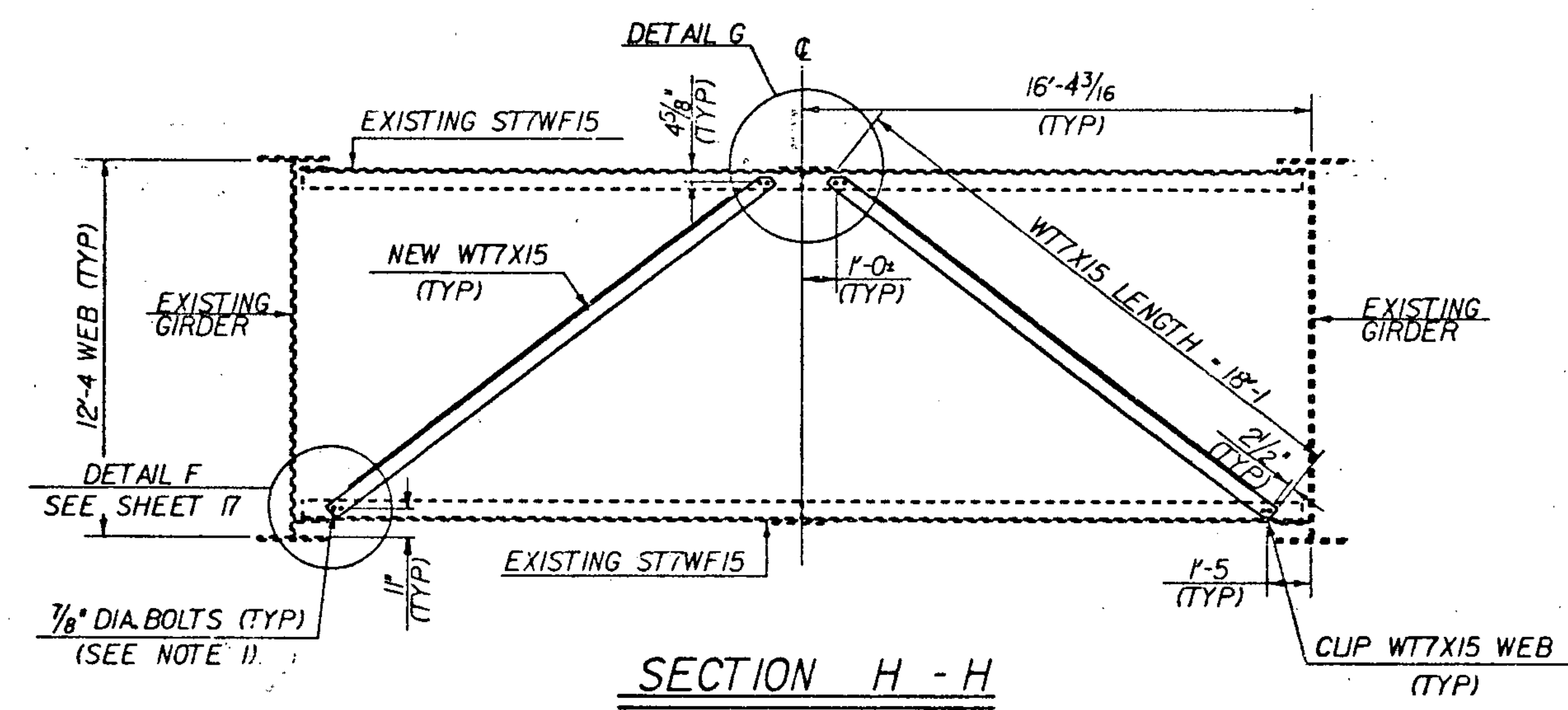


PLAN
SCALE 1/4"=1'-0"

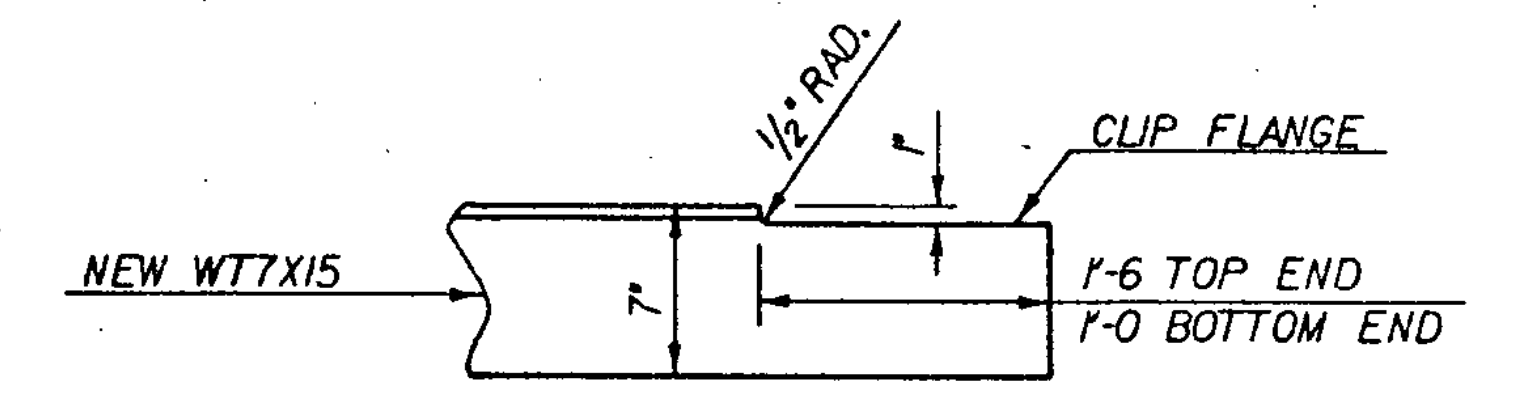
NOTE: PLAN OF BAY FROM FLOOR BEAM *36 TO *37 SHOWN. BAYS FROM FLOOR BEAM *20 TO *46 ARE THE SAME AS SHOWN.



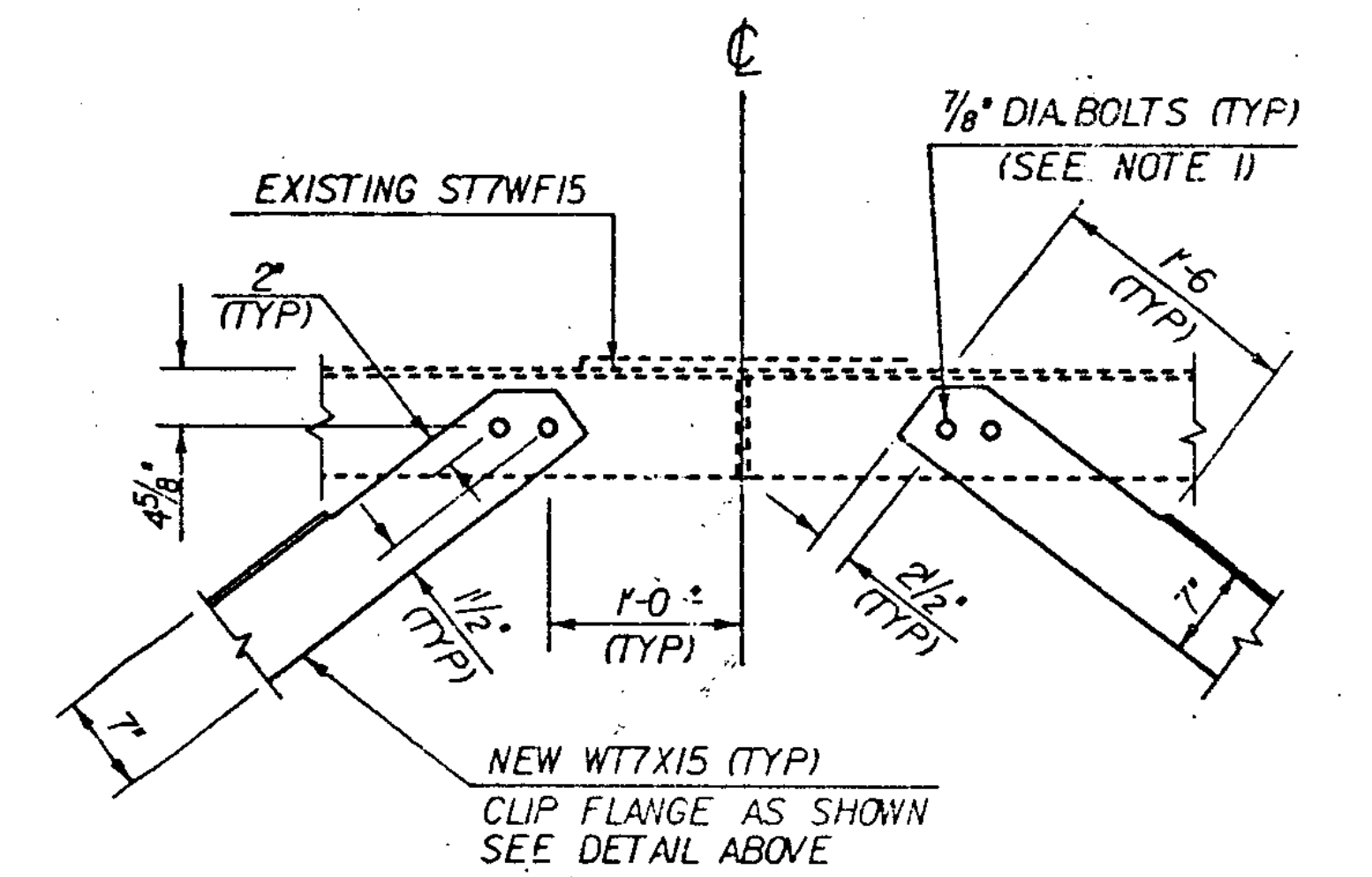
SECTION G - G
SCALE 1/4"=1'-0"



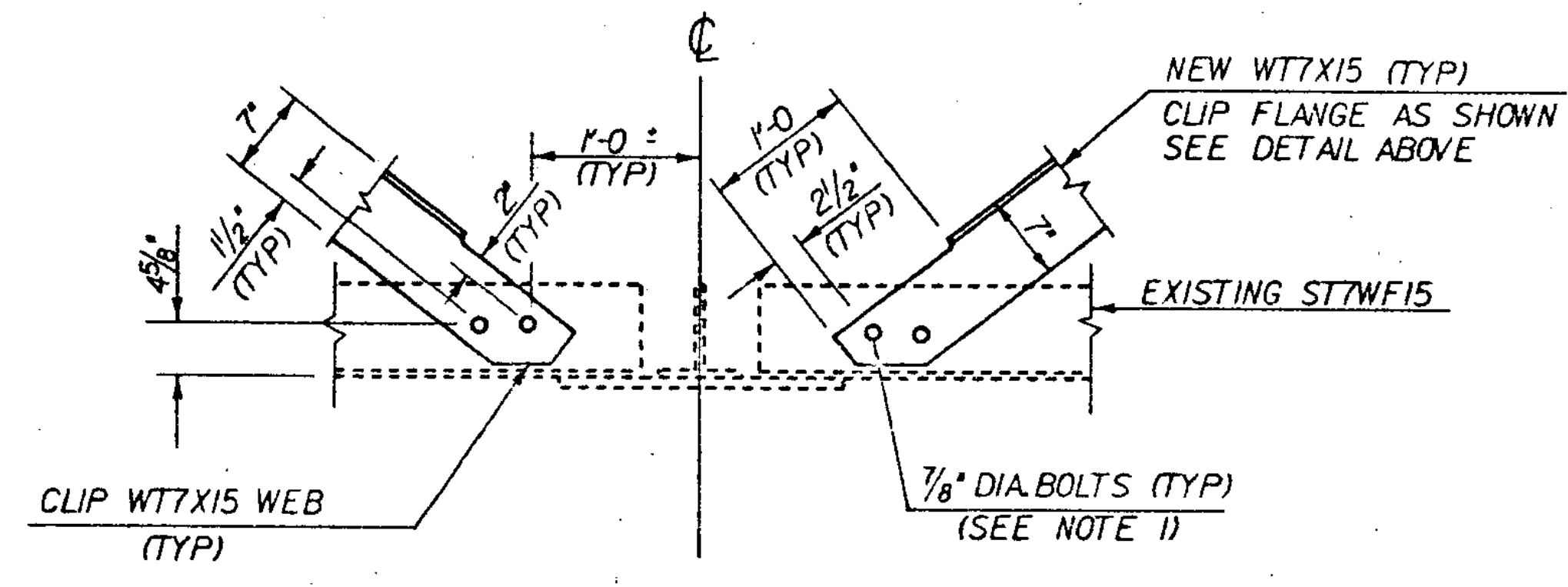
SECTION H - H
SCALE 1/4"=1'-0"



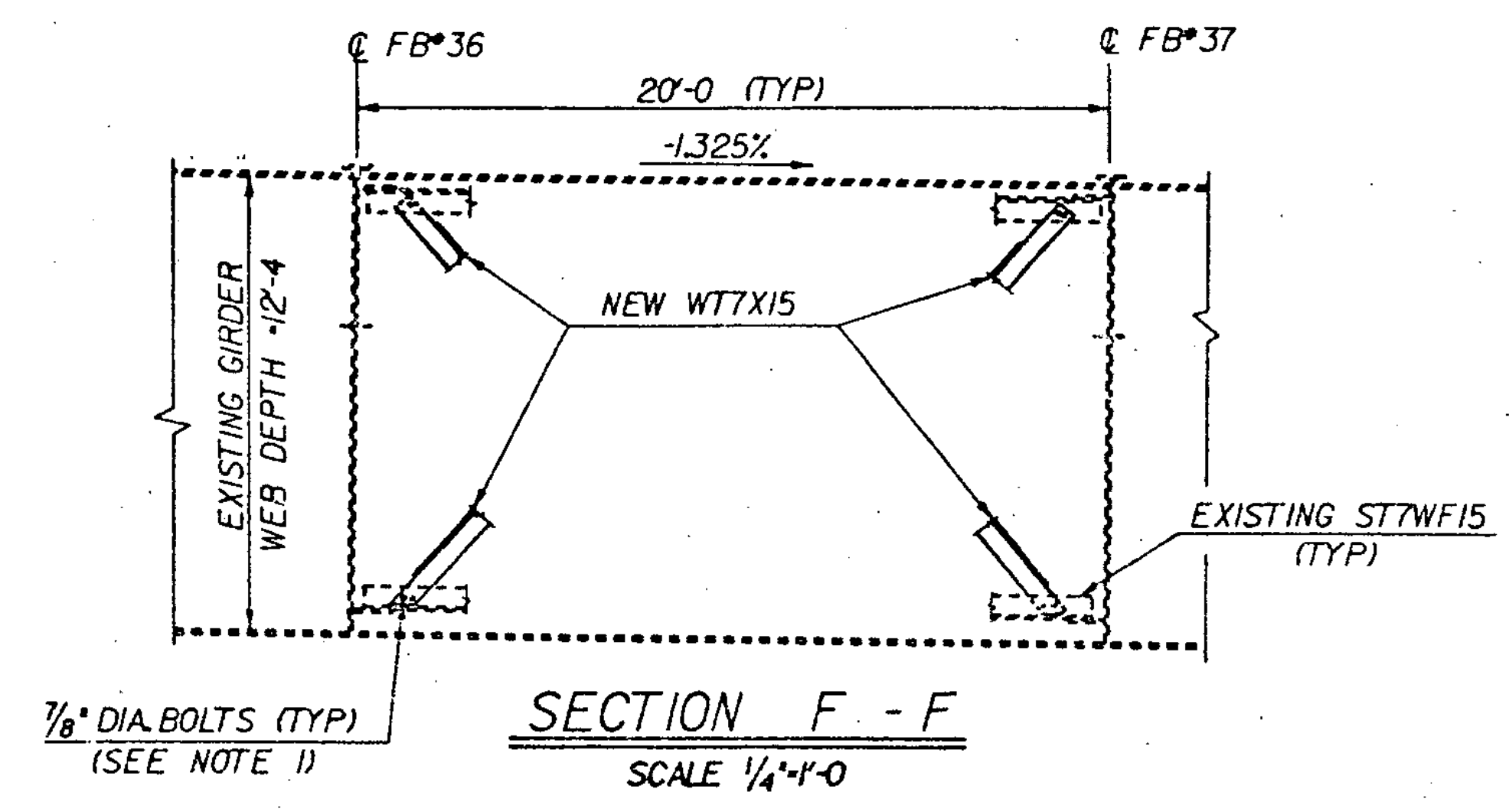
FLANGE CLIP DETAIL
SCALE 1/2"=1'-0"



DETAIL G
SCALE 1"=1'-0"



DETAIL H
SCALE 1"=1'-0"



SECTION F - F
SCALE 1/4"=1'-0"

STATE OF VERMONT	
AGENCY OF TRANSPORTATION	
Town Of HARTFORD	Bridge No. 44 N & S
Highway No. [9]	Log Sta.
	Surv. Sta.
KNEE BRACING DETAILS FROM F.B. *20-46	
191 OVER THE WHITE RIVER, U.S. RTE.4, AND VT. RTE.14	
Designed By A. ELWOOD	Drawn By DAVE WILLEY
Checked By J. POTTER	Bridge Design Supervisor R. S. HAUPT Date 5-84
PROJECT HARTFORD	PROJECT NO. IR-91 - 2 (1)
L.C. Info. QSA1:030,25:82A115L3.DGN	
Bridge Sheet No.	Sheet 18 of 30

BRACING DETAILS