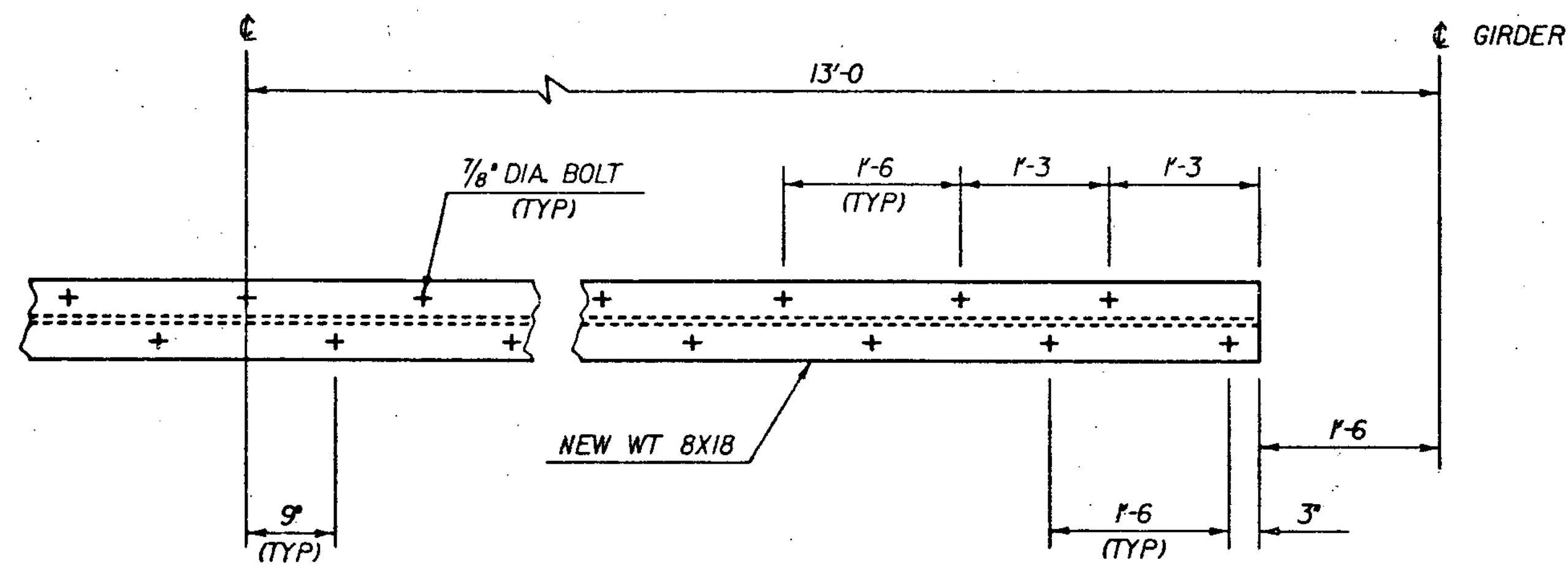
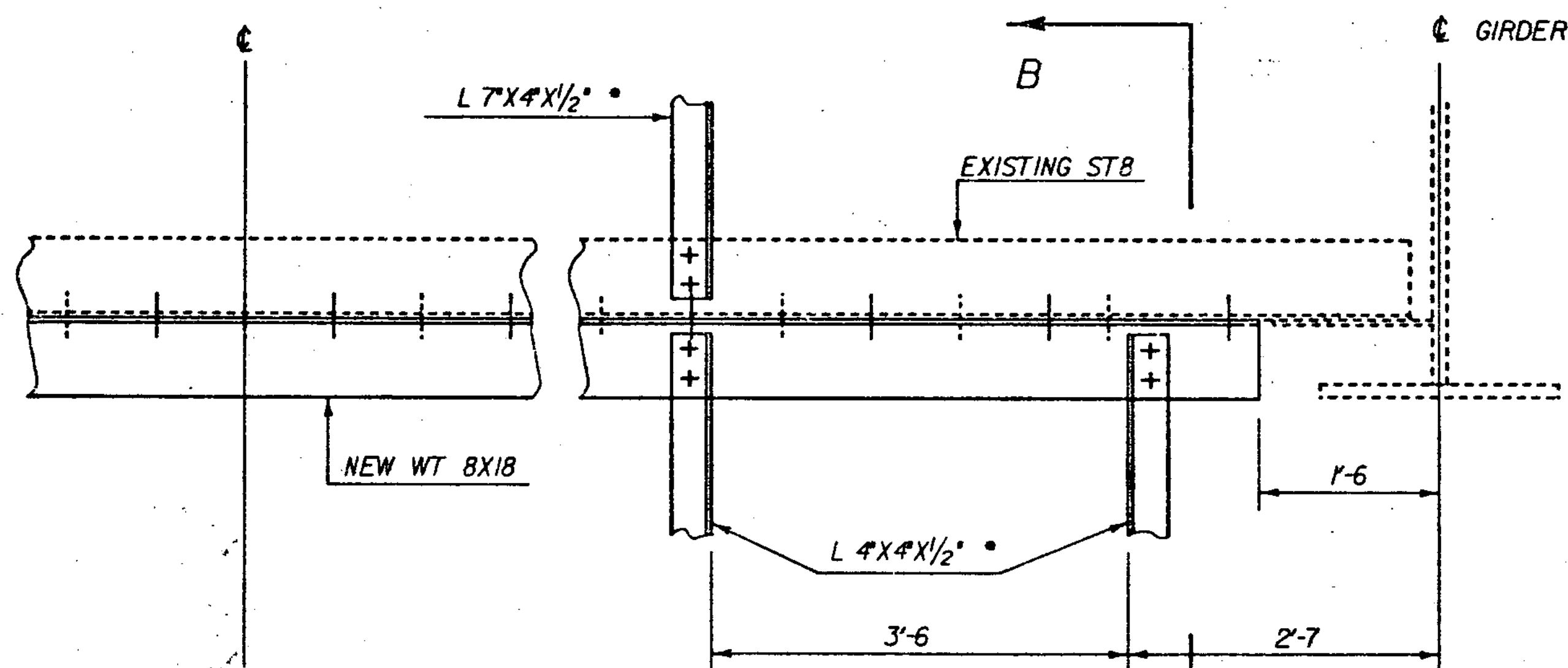


WT 8X18 STIFFENER DETAILS



PLAN
SCALE 1"=1'-0"

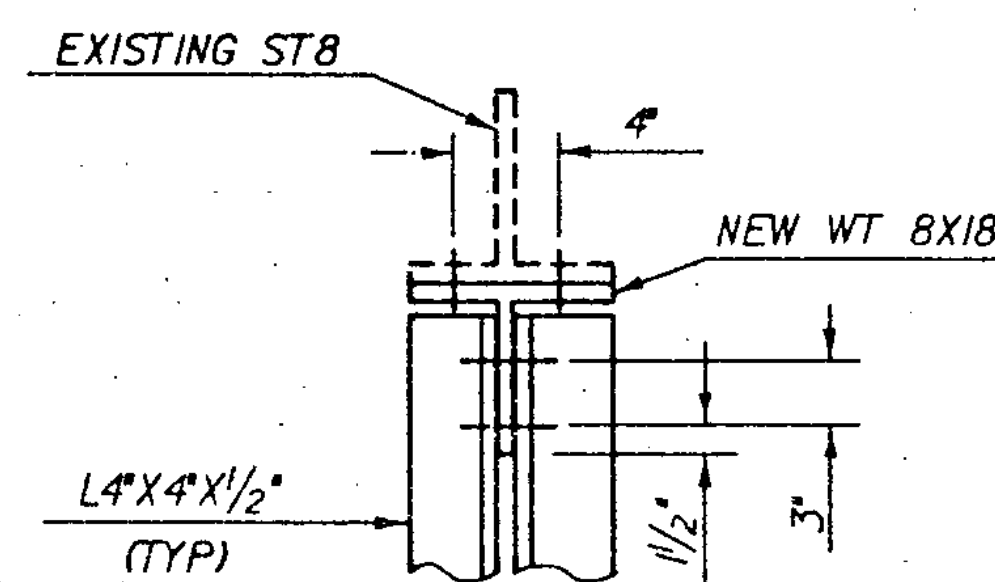


ELEVATION
SCALE 1"=1'-0"

SEE SHEETS 11 THRU 14 FOR LOCATION OF INSPECTION WALKWAY MEMBERS.

NOTES

1. THE NEW WT 8X18 STIFFENERS SHALL BE ATTACHED AS SHOWN, TO THE EXISTING ST8 MEMBERS UNDER FLOOR BEAMS 12 THRU 20, 22 THRU 32, 34 THRU 44 AND 46 THRU 54.
2. SHOP DRILL 15/16" DIA. HOLES IN ALL NEW MEMBERS, UNLESS OTHERWISE NOTED. FIELD DRILL 15/16" DIA. HOLES IN ALL EXISTING MEMBERS. USE 7/8" DIA. HIGH STRENGTH (ASTM A325) BOLTS FOR CONNECTIONS.

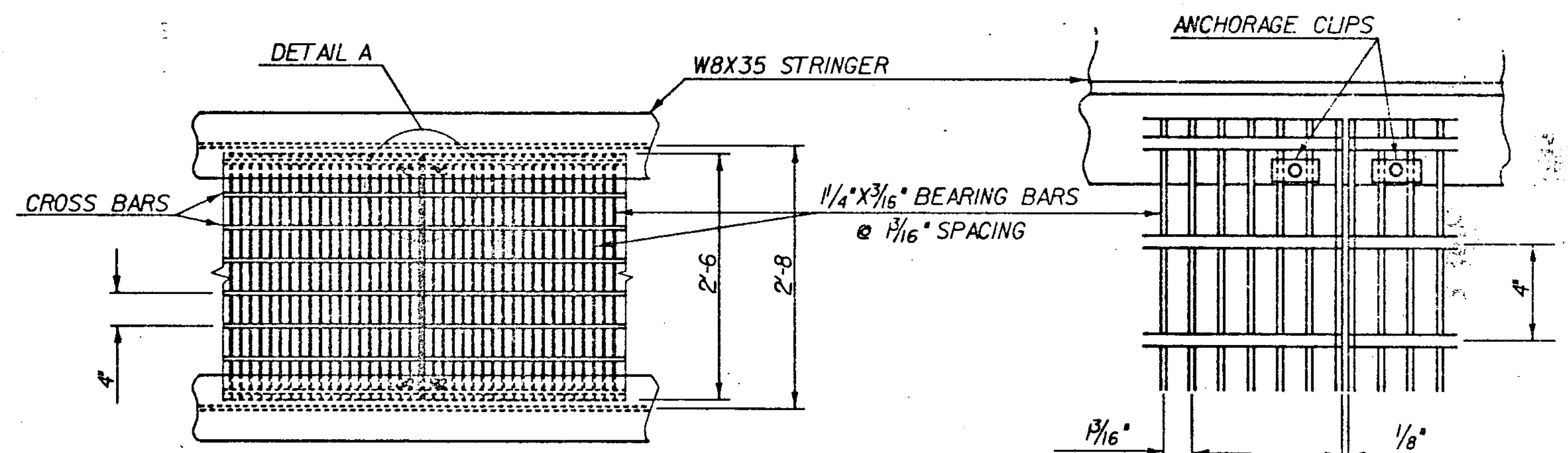


SECTION B - B
SCALE 1/2"=1'-0"

INSPECTION WALKWAY FLOOR DETAILS
GALVANIZED STEEL GRATING

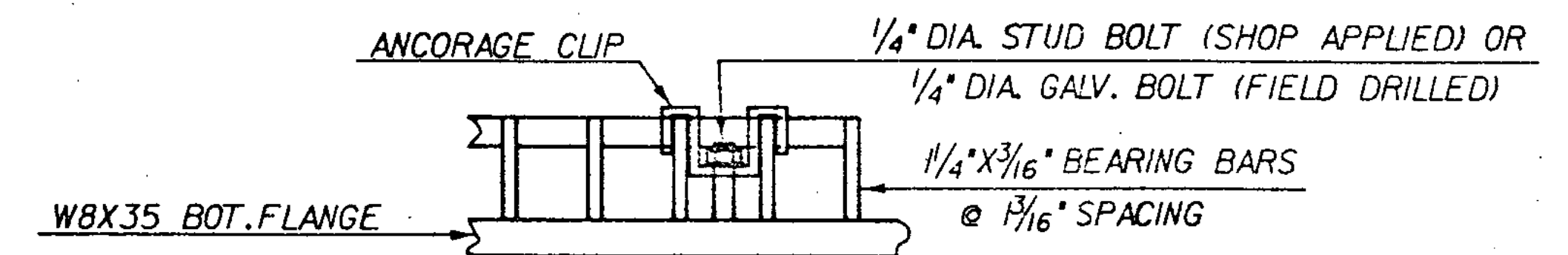
NOTES

1. THE STEEL GRATING FLOOR SHALL BE GALVANIZED TO ASTM A123, IT SHALL BE AN UNFILLED GRATING AND PAID FOR UNDER THE ITEM 'STEEL GRID FLOORING-GALVANIZED'. ALL BOLTS, CLIPS AND HARDWARE REQUIRED TO ATTACH THE STEEL GRATING FLOOR SYSTEM SHALL BE GALVANIZED TO ASTM A153 AND SHALL BE INCLUDED IN THE UNIT PRICE BID FOR THE ITEM 'STEEL GRID FLOORING-GALVANIZED'. SUBMIT SHOP DRAWINGS IN ACCORDANCE WITH SECTION 506.04.
2. THE STEEL GRATING SHALL BE IN SECTIONS 3'-0", MAXIMUM, LONG. EACH CORNER OF THE STEEL GRATING SECTIONS SHALL BE ATTACHED TO THE BOTTOM FLANGE OF THE W8X35 STRINGERS. CENTER 1/4" DIA. STUD BOLTS BETWEEN GRATING BEARING BARS AND ARC WELD TO THE BOTTOM FLANGE, THEN INSTALL THE U-SHAPED CLIP, WASHER AND HEXAGONAL NUT AS SHOWN.
3. A GAP OF 1/8" SHALL BE LEFT BETWEEN THE STEEL GRATING FLOOR SECTIONS.

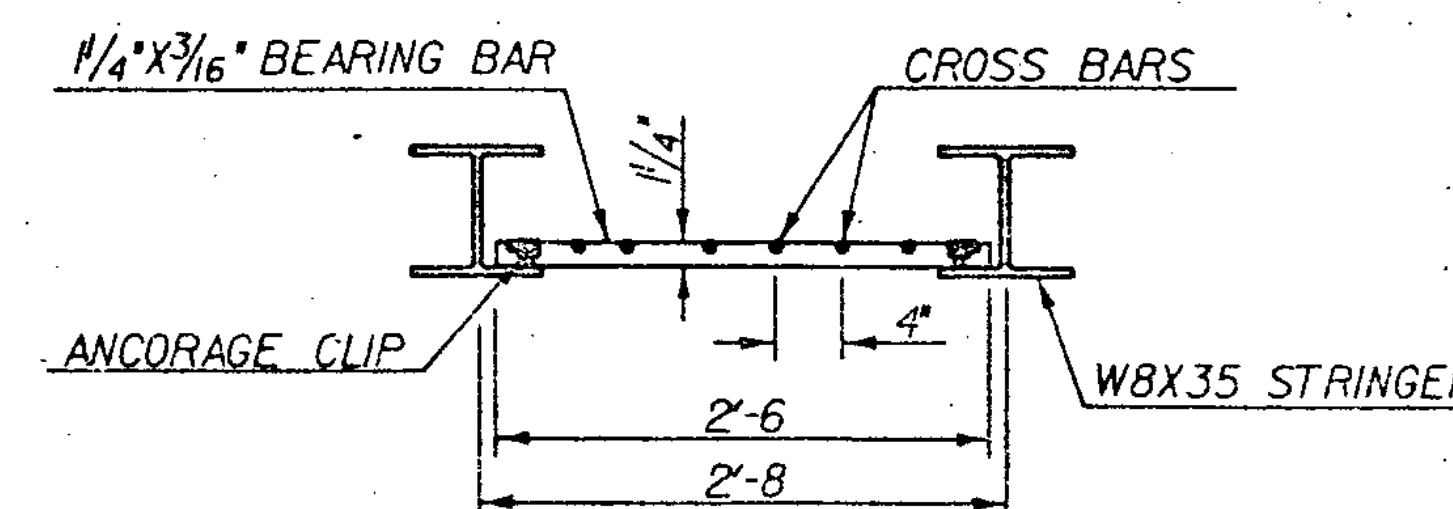


PLAN
SCALE 1"=1'-0"

DETAIL A
SCALE 3"=1'-0"



ANCHORAGE CLIP DETAIL
SCALE 1/2"=1'-0"



TYPICAL SECTION
SCALE 1"=1'-0"

STATE OF VERMONT
AGENCY OF TRANSPORTATION

Town Of	HARTFORD	Bridge No.	44 N & S
Highway No.	191	Log Sta.	
INSPECTION WALKWAY FLOOR DETAILS			
191 OVER THE WHITE RIVER, U.S. RTE. 4, AND VT. RTE. 14			
Designed By	A. ELWOOD	Drawn By	D. C. WILLEY
Checked By	A. ELWOOD	Date	7-27-84
		Bridge Design Supervisor	R. S. HAUPT Date 5-84
PROJECT	HARTFORD	PROJECT NO.	IR-91-2 (1)
i.c.c. info.	QSA1:30,25182A115WLK.DGN		
Bridge Sheet No.		Sheet	15 of 30