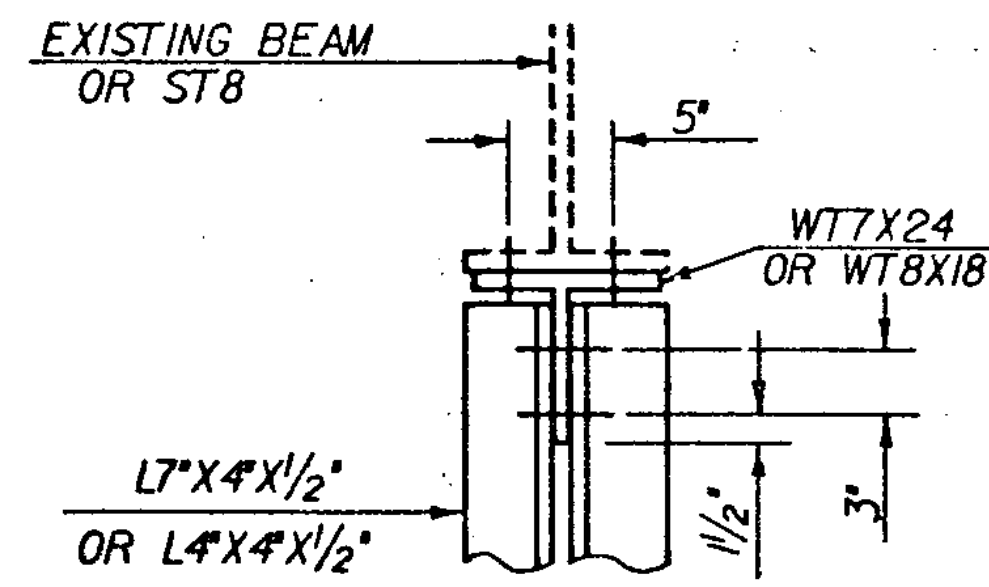
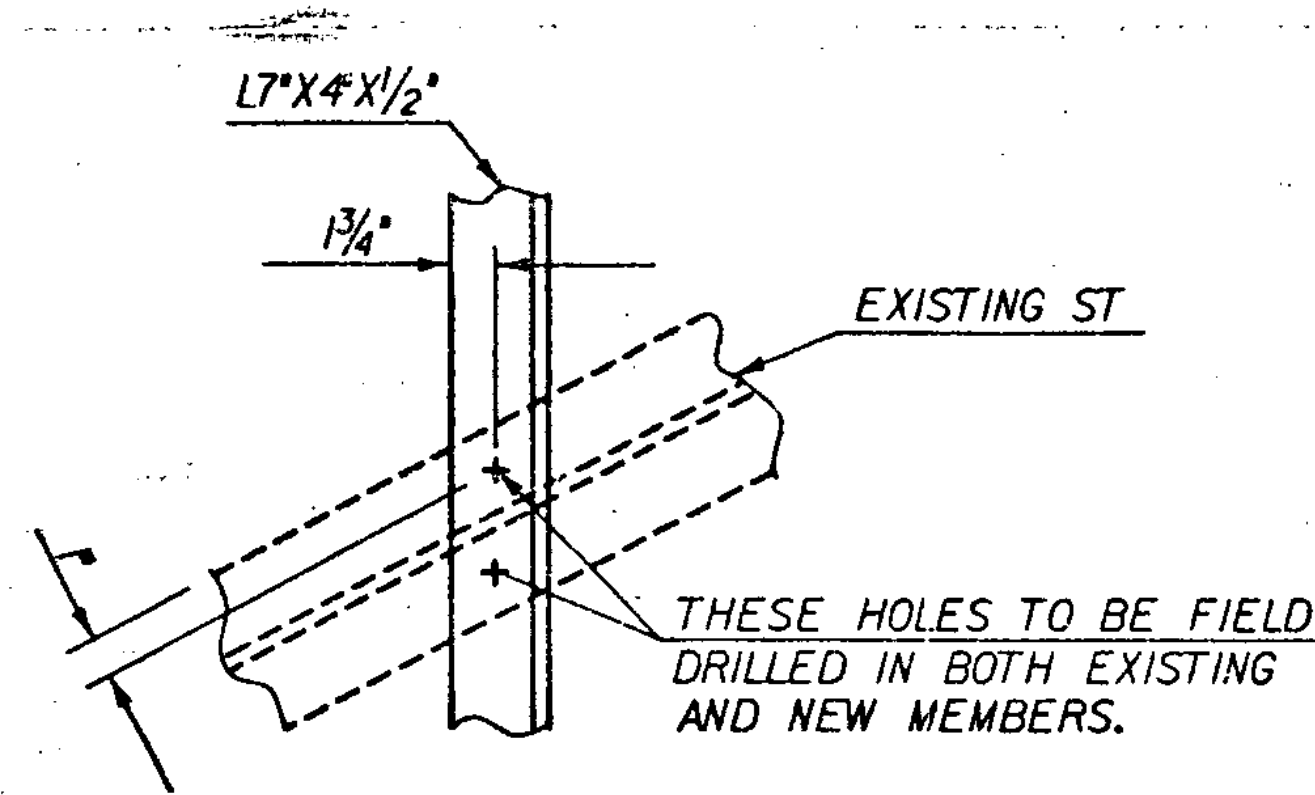


DETAIL B

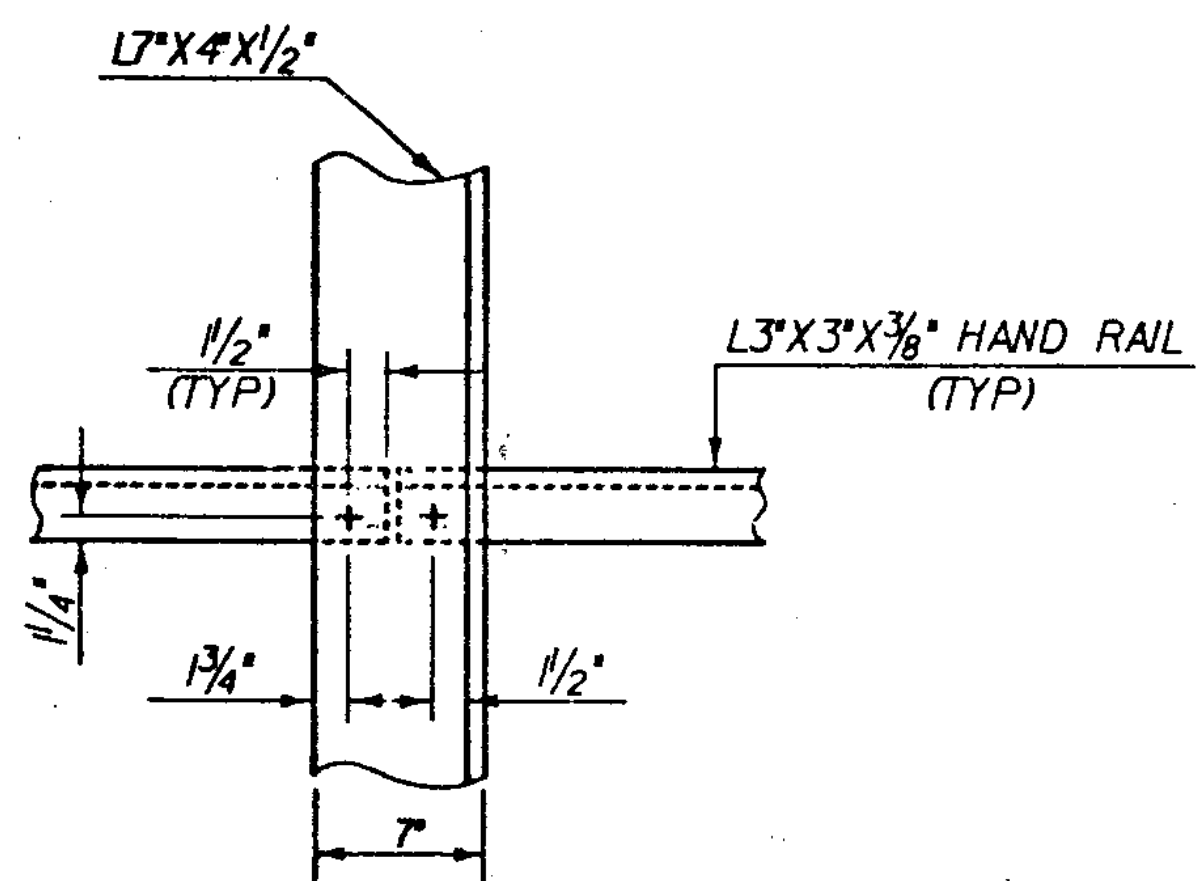


DETAIL C

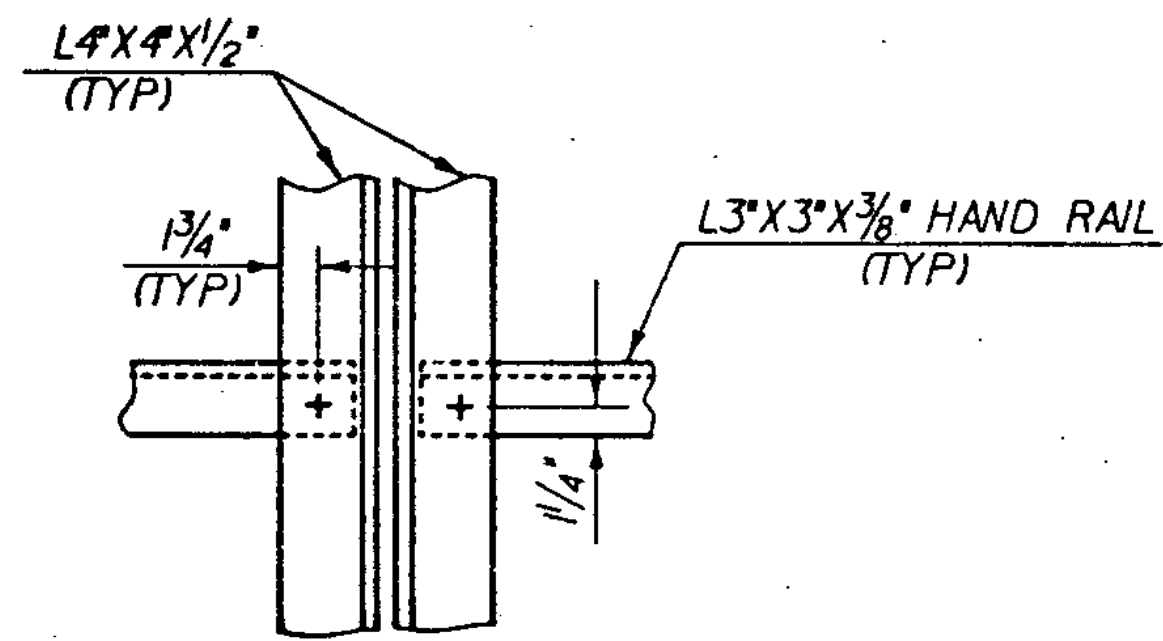


DETAIL D

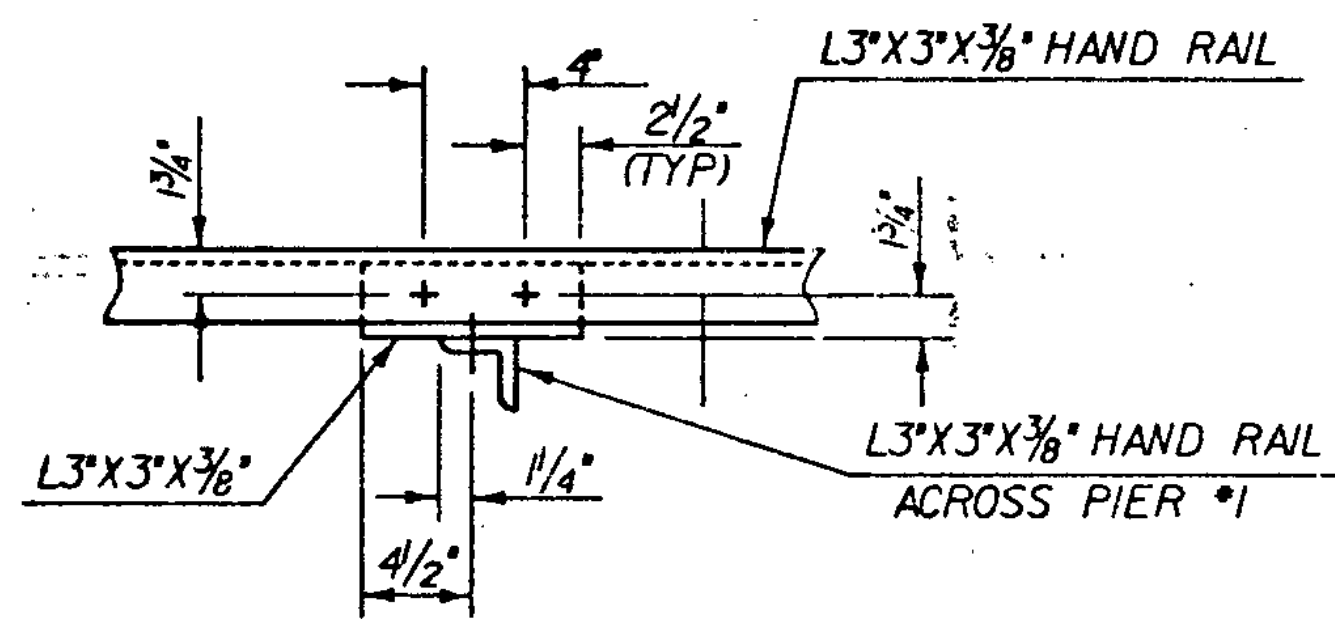
- NOTES**
- SHOP DRILL 15/16" DIA. HOLES IN ALL NEW MEMBERS, UNLESS OTHERWISE NOTED. FIELD DRILL 15/16" DIA. HOLES IN ALL EXISTING MEMBERS. USE 7/8" DIA. HIGH STRENGTH (ASTM A325) BOLTS FOR CONNECTIONS.
 - SEE SHEETS II THRU 13 FOR LOCATION OF BOLTED CONNECTION DETAILS.



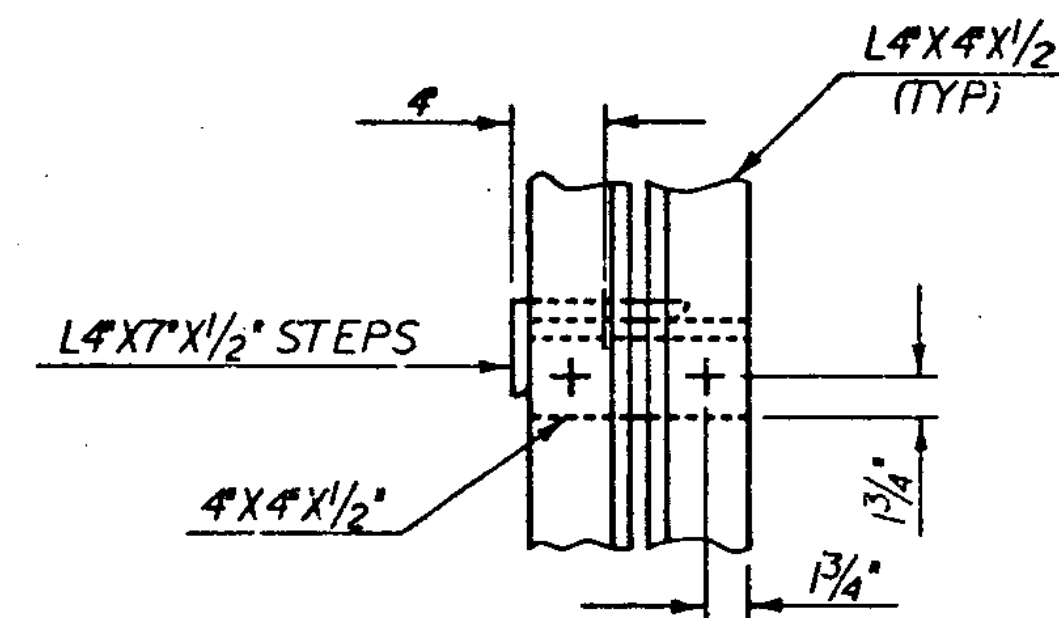
DETAIL E



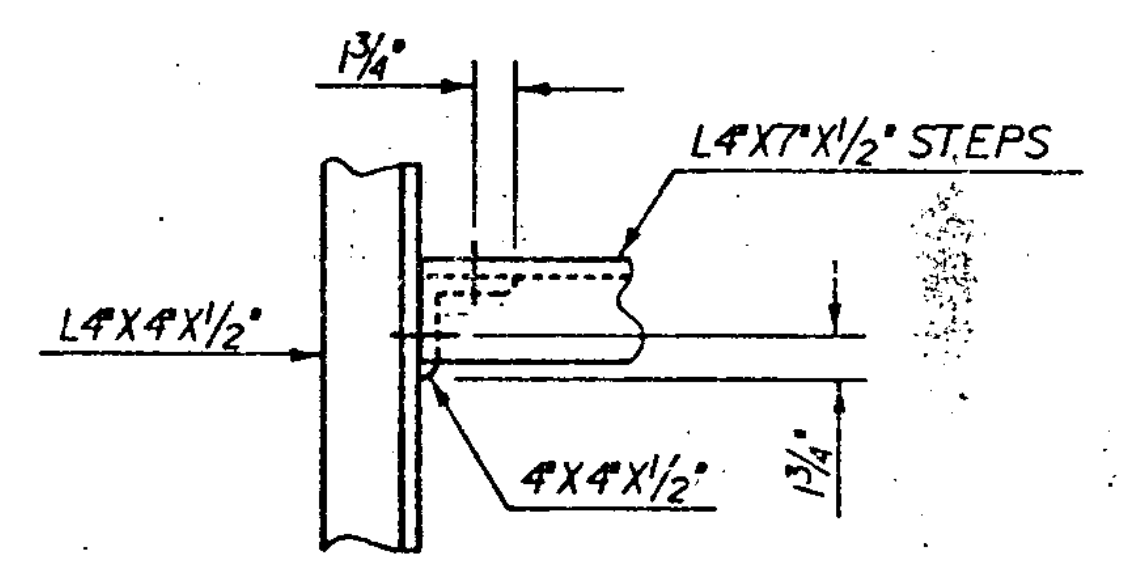
DETAIL F



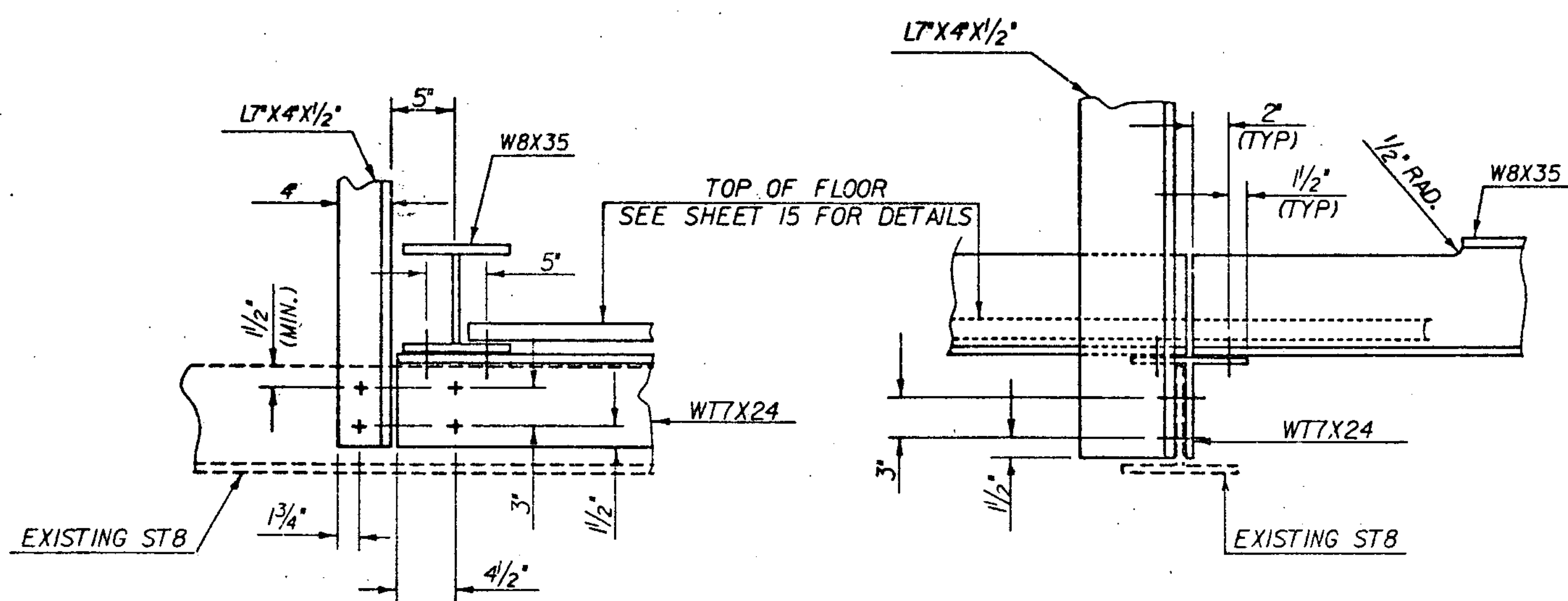
DETAIL G



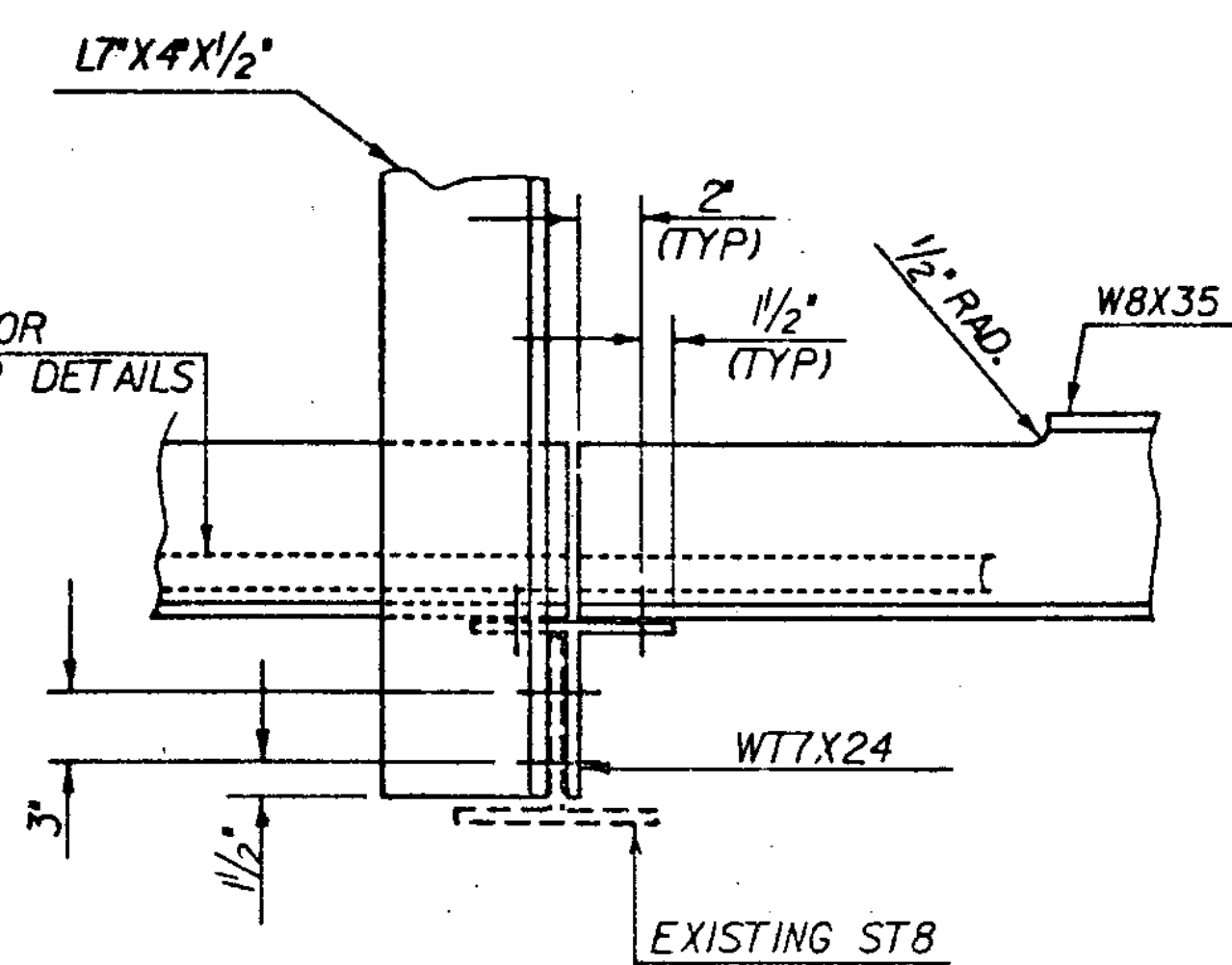
DETAIL H



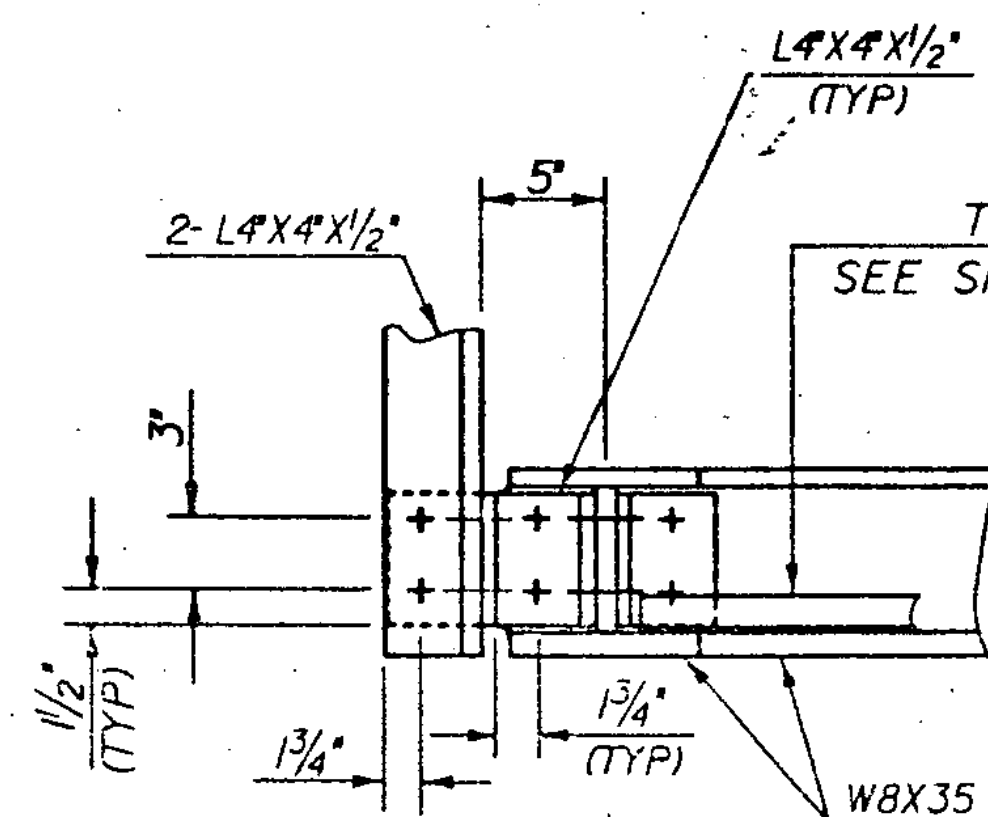
DETAIL I



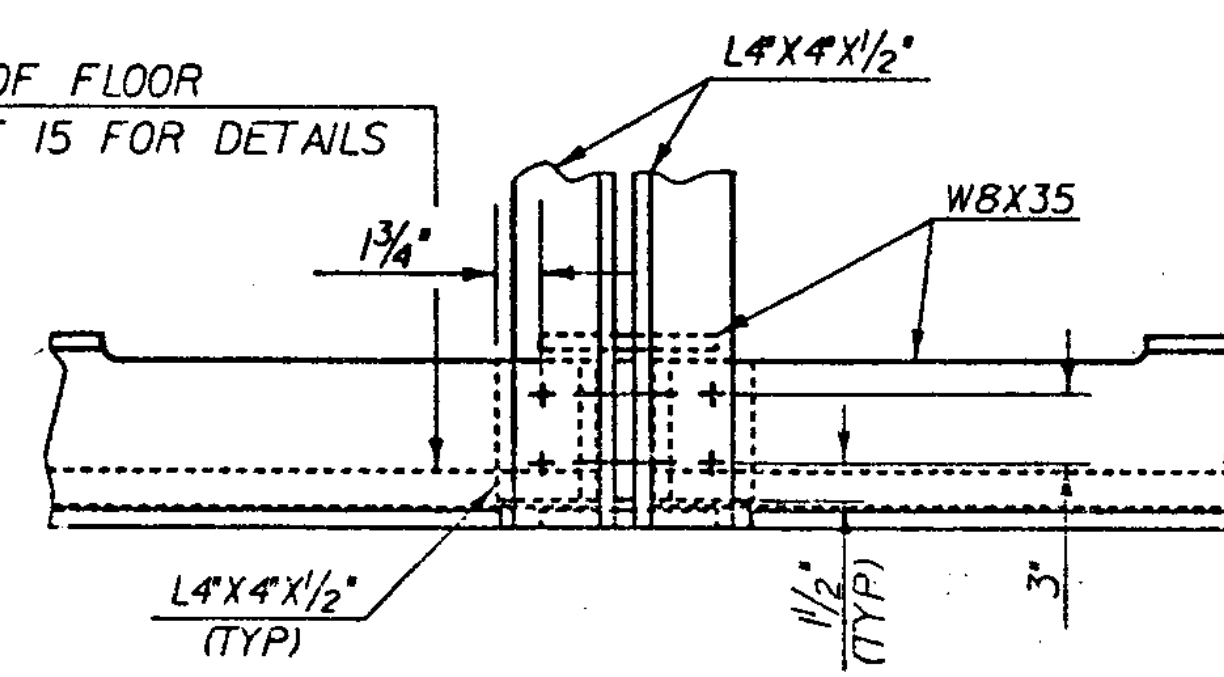
DETAIL J



DETAIL K



DETAIL L



DETAIL M

BOLTED CONNECTION DETAILS

SCALE: 1/2"=1'-0"

STATE OF VERMONT		AGENCY OF TRANSPORTATION	
Town Of	HARTFORD	Bridge No.	44 N & S
Highway No.	191	Log Sta.	
		Surv. Sta.	
INSPECTION WALKWAY CONNECTION DETAILS			
191 OVER THE WHITE RIVER, U.S. RTE. 4, AND VT. RTE. 14			
Designed By	A. ELWOOD	Drawn By	D. C. WILLEY
Checked By	A. ELWOOD	Bridge Design Supervisor	R. S. HAUPT
Date	6-84	Date	5-84
PROJECT	HARTFORD	PROJECT NO.	IR-91-2 (1)
I.G.C. info. GSAJ130,25182A115WLK.DGN			
Bridge Sheet No.		Sheet	14 of 30

BRUNING 62165