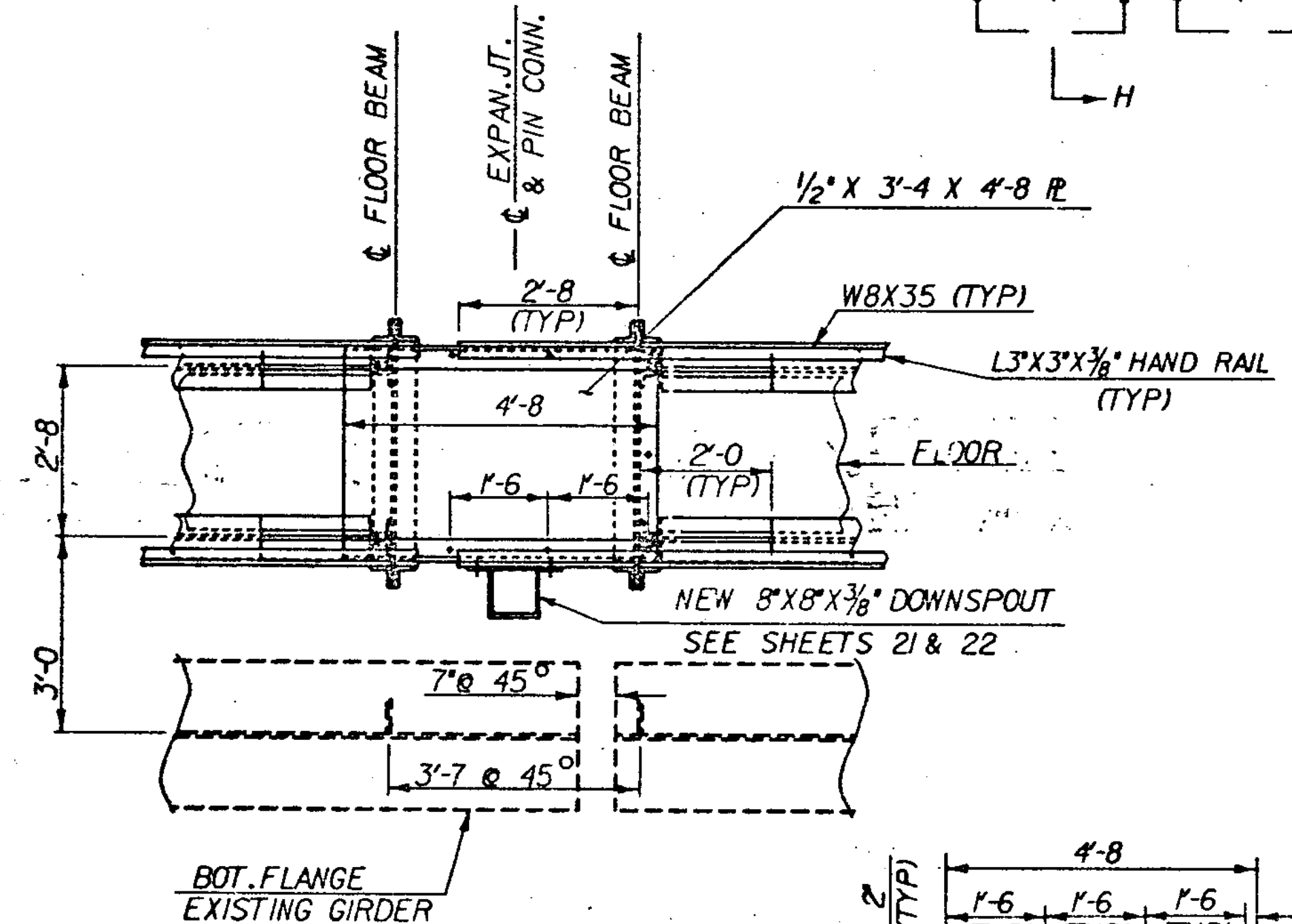


**INSPECTION WALKWAY PLAN**

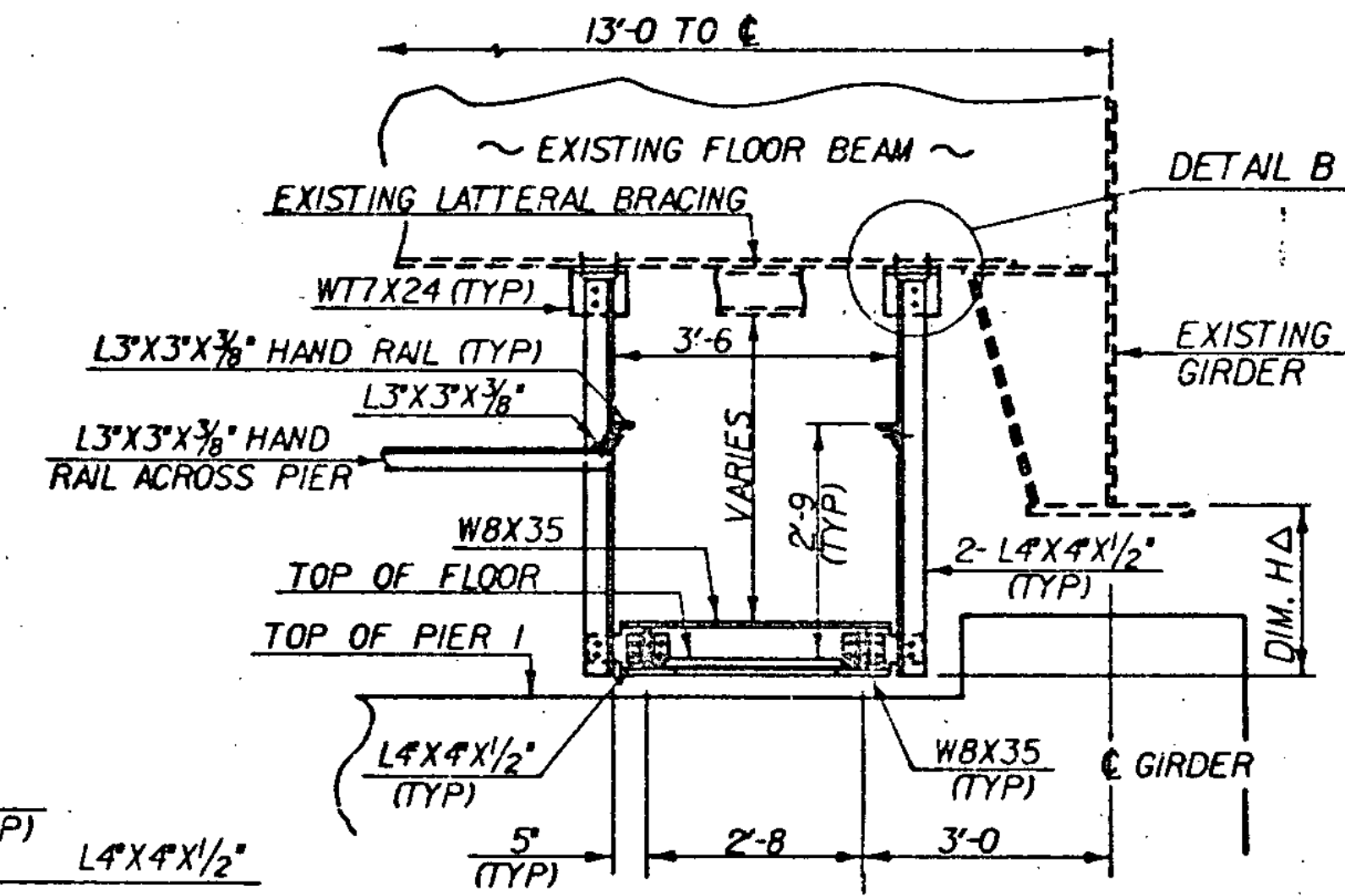
SCALE 1/4" = 1'-0"

• THERE IS NO FLOOR BEAM \*8 ON THE SOUTHBOUND BRIDGE.



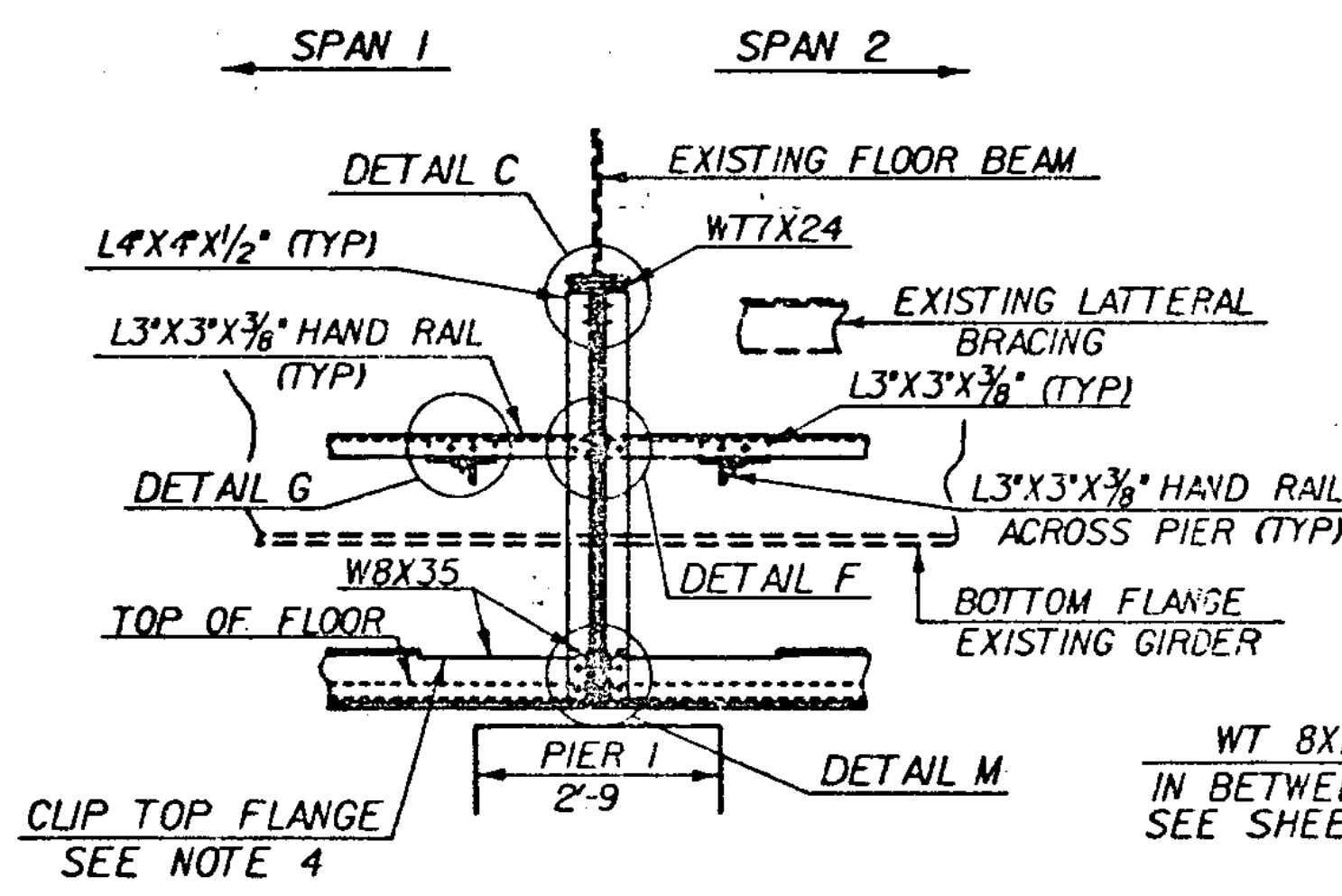
**DETAIL A**

SCALE 1/2" = 1'-0"



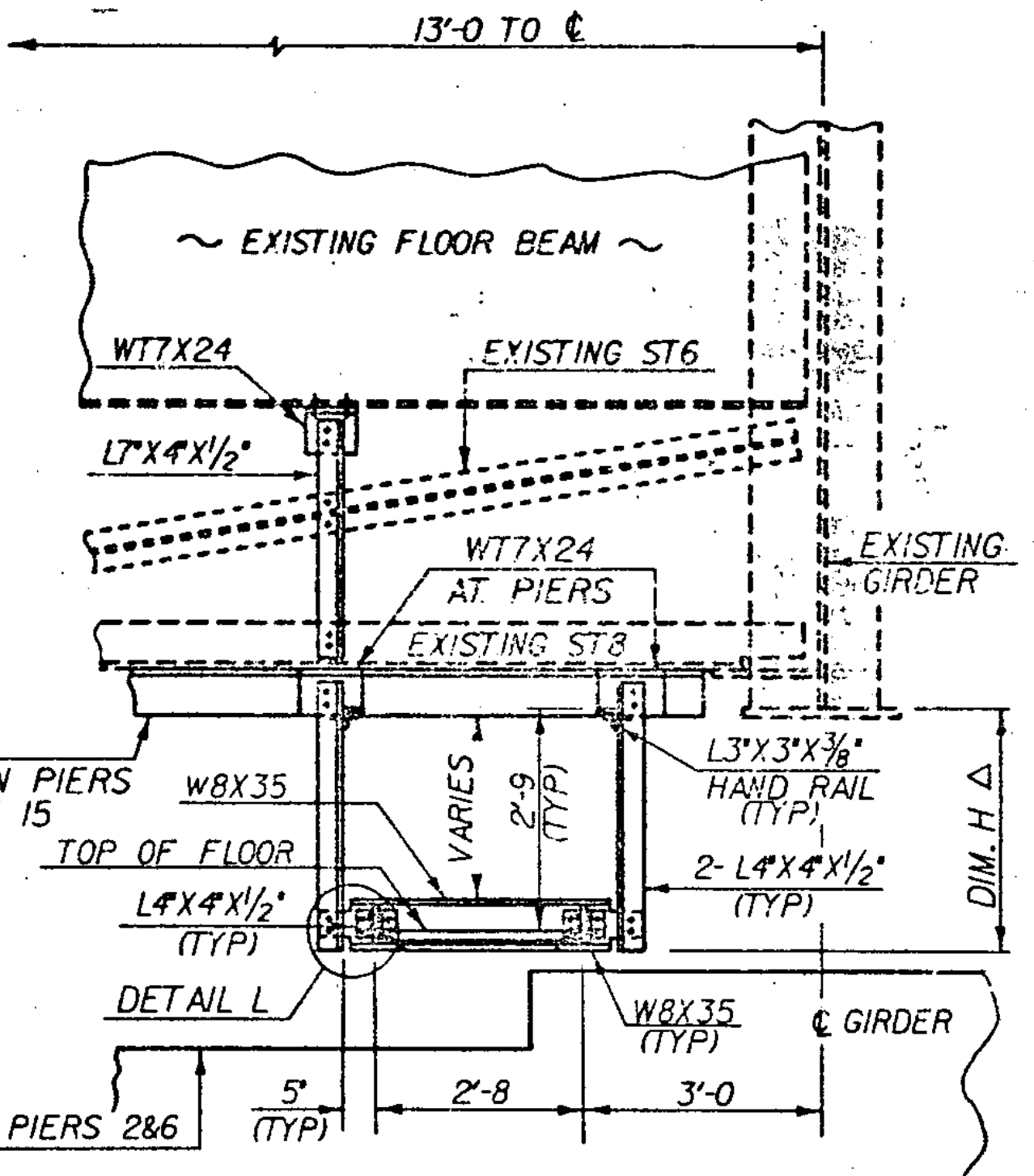
**SECTION H - H**

SCALE 1/2" = 1'-0"



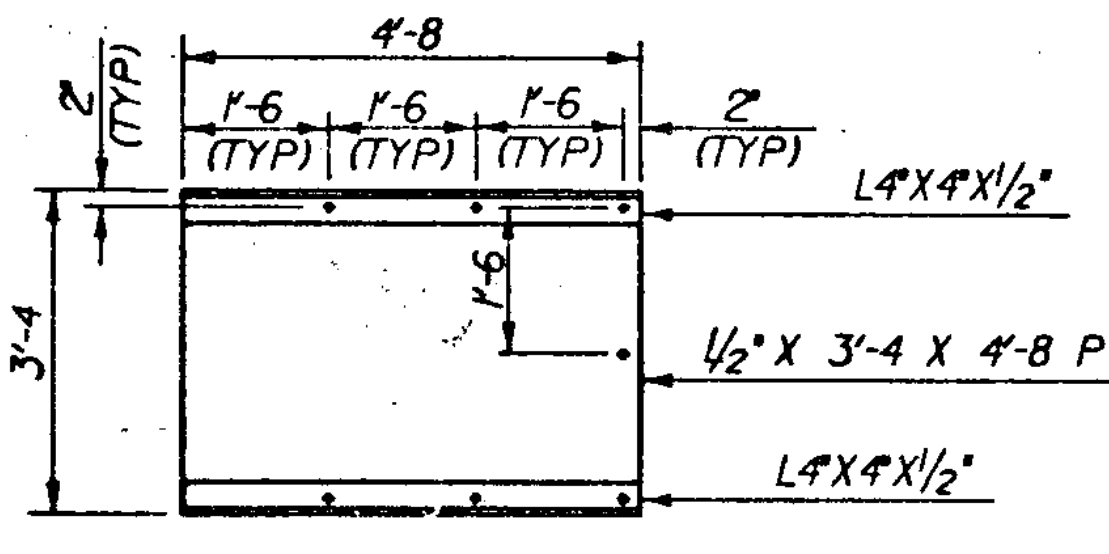
**SECTION B - B**

SCALE 1/2" = 1'-0"



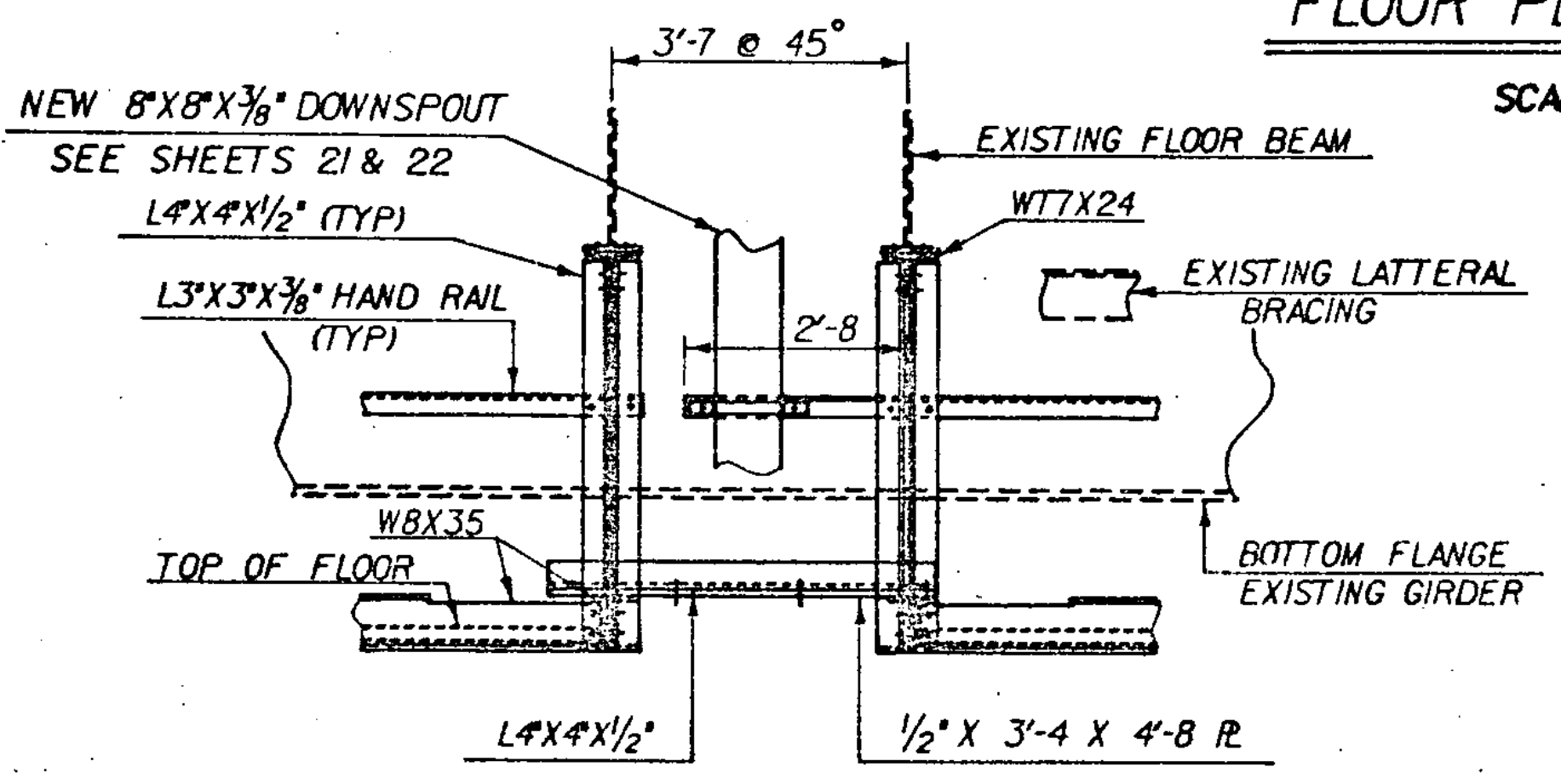
**SECTION C - C**

SCALE 1/2" = 1'-0"



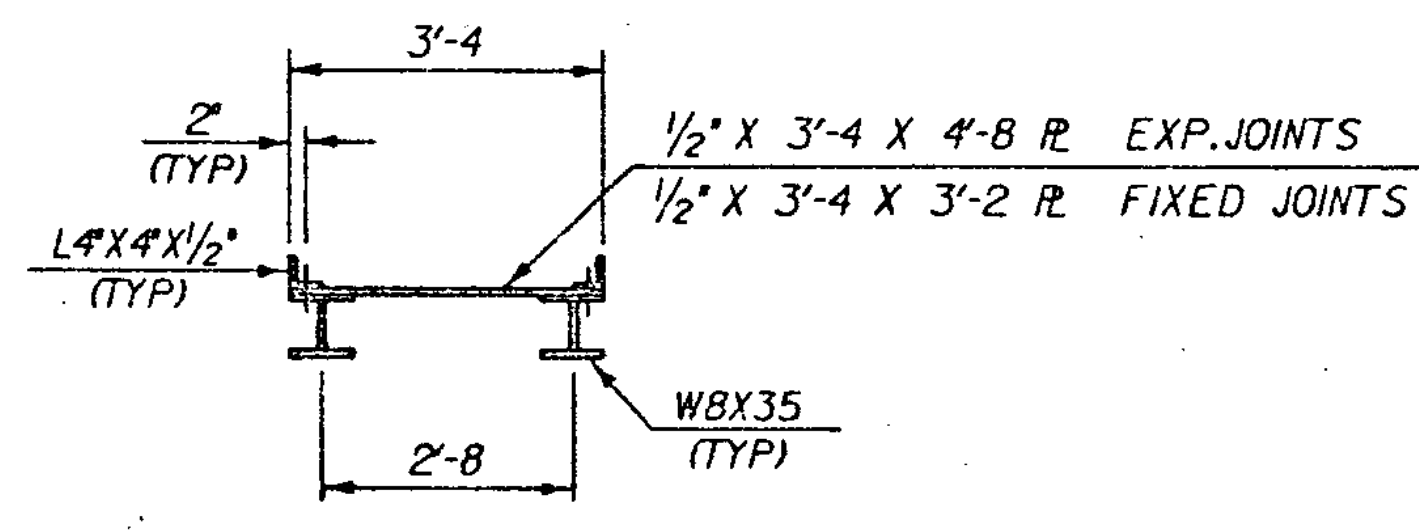
**FLOOR PLATE DETAIL**

SCALE 1/2" = 1'-0"



**SECTION A - A**

SCALE 1/2" = 1'-0"



**SECTION J - J**

SCALE 1/2" = 1'-0"

Δ SEE CHART ON SHEET 13 FOR DIMENSION H.

**NOTES**

1. THE INSPECTION WALKWAY PLAN IS CONTINUED ON SHEET 12.
2. SEE SHEET 13 FOR SECTIONS D-D, E-E, P-P AND DETAIL P.
3. SEE SHEET 14 FOR BOLTED CONNECTION DETAILS.
4. THE TOP FLANGE OF THE W8X35 STRINGERS SHALL BE CUT BACK 1'-8" FROM EACH END TO FACILITATE INSTALLATION OF THE FLOOR.
5. SEE SHEET 15 FOR FLOOR SYSTEM DETAILS.
6. DETAIL A, SECTION A-A AND SECTION J-J ARE APPLICABLE FOR BOTH EXPANSION HINGE JOINTS.
7. THE SECTIONS ARE SHOWN AT THE PIERS, THE AREAS IN BETWEEN THE PIERS SHALL BE SIMILAR EXCEPT THERE WILL BE NO LADDERS.
8. THE INSPECTION WALKWAY SHALL BE SUSPENDED FROM THE EXISTING FLOOR BEAMS, FROM FLOOR BEAMS \*2-10 AND \*56-59, AS SHOWN IN SECTIONS B-B AND H-H.
9. THE INSPECTION WALKWAY SHALL BE SUSPENDED FROM THE EXISTING ST8 CROSS BRACING MEMBERS AND FLOOR BEAMS, FROM FLOOR BEAM \*11-21 AND \*45-55, AS SHOWN IN SECTION C-C.
10. THE INSPECTION WALKWAY SHALL BE ON TOP OF THE EXISTING ST8 CROSS BRACING MEMBERS, FROM FLOOR BEAMS \*21-45, AS SHOWN IN SECTIONS F-F AND G-G.
11. THE WALKWAY SHALL BE LEVEL IN THE TRANSVERSE DIRECTION.

<b>STATE OF VERMONT AGENCY OF TRANSPORTATION</b>	
Town Of <b>HARTFORD</b>	Bridge No. 44 N & S
Highway No. <b>[9]</b>	Log Sta. Surv. Sta.
<b>INSPECTION WALKWAY DETAILS</b>	
[9] OVER THE WHITE RIVER, U.S. RTE. 4 AND VT. RTE. 14	
Designed By <b>A. ELWOOD</b>	Drawn By <b>D. C. WILLEY</b>
Checked By <b>A. ELWOOD</b>	Date <b>5-84</b>
R. S. HAUPT Date 5-84	
PROJECT <b>HARTFORD</b>	PROJECT NO. <b>IR-91-2 (1)</b>
L.C.C. Info. <b>05A1130,25182A115 VLK.DGN</b>	
Bridge Sheet No.	Sheet 11 of 30