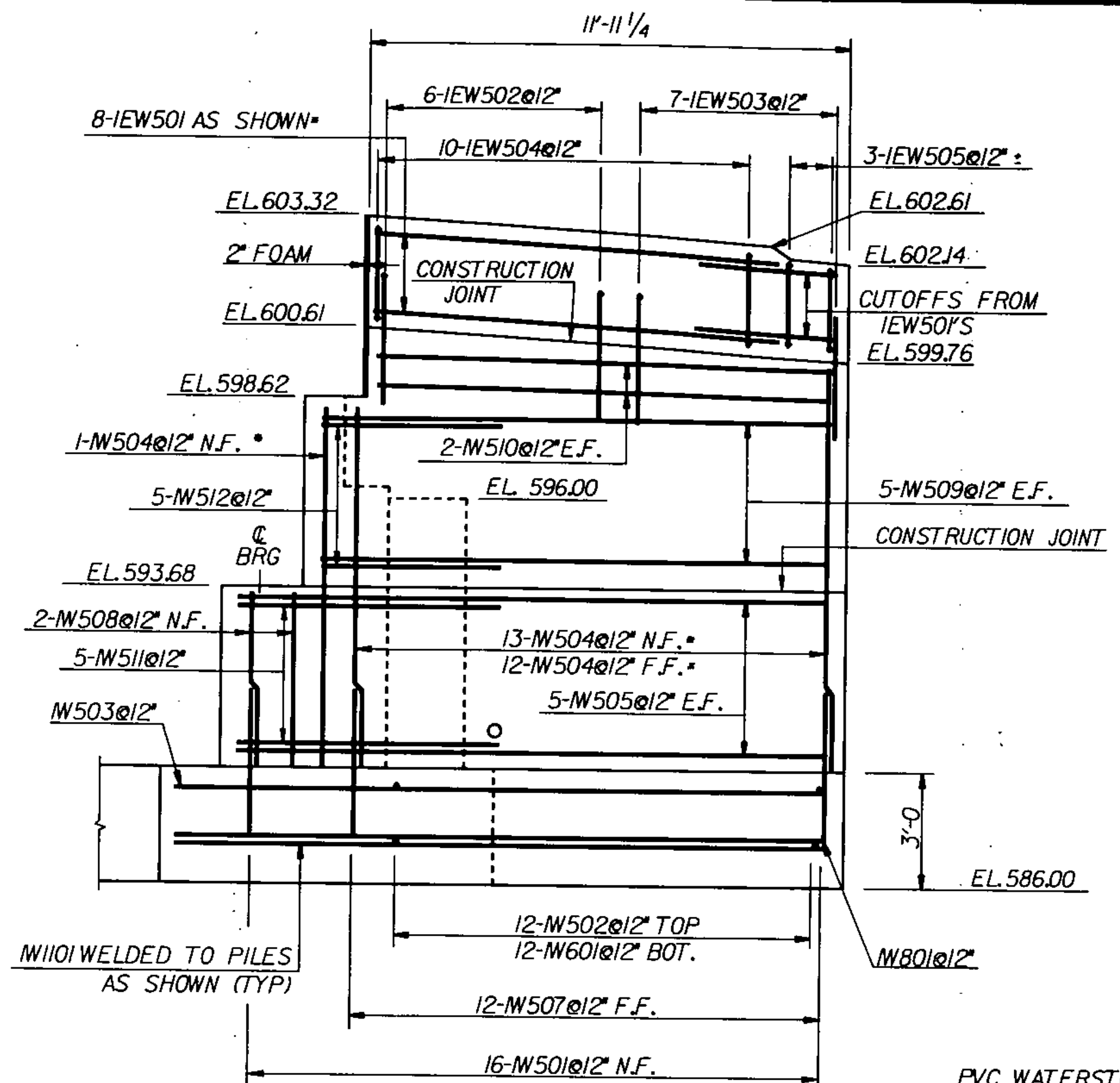
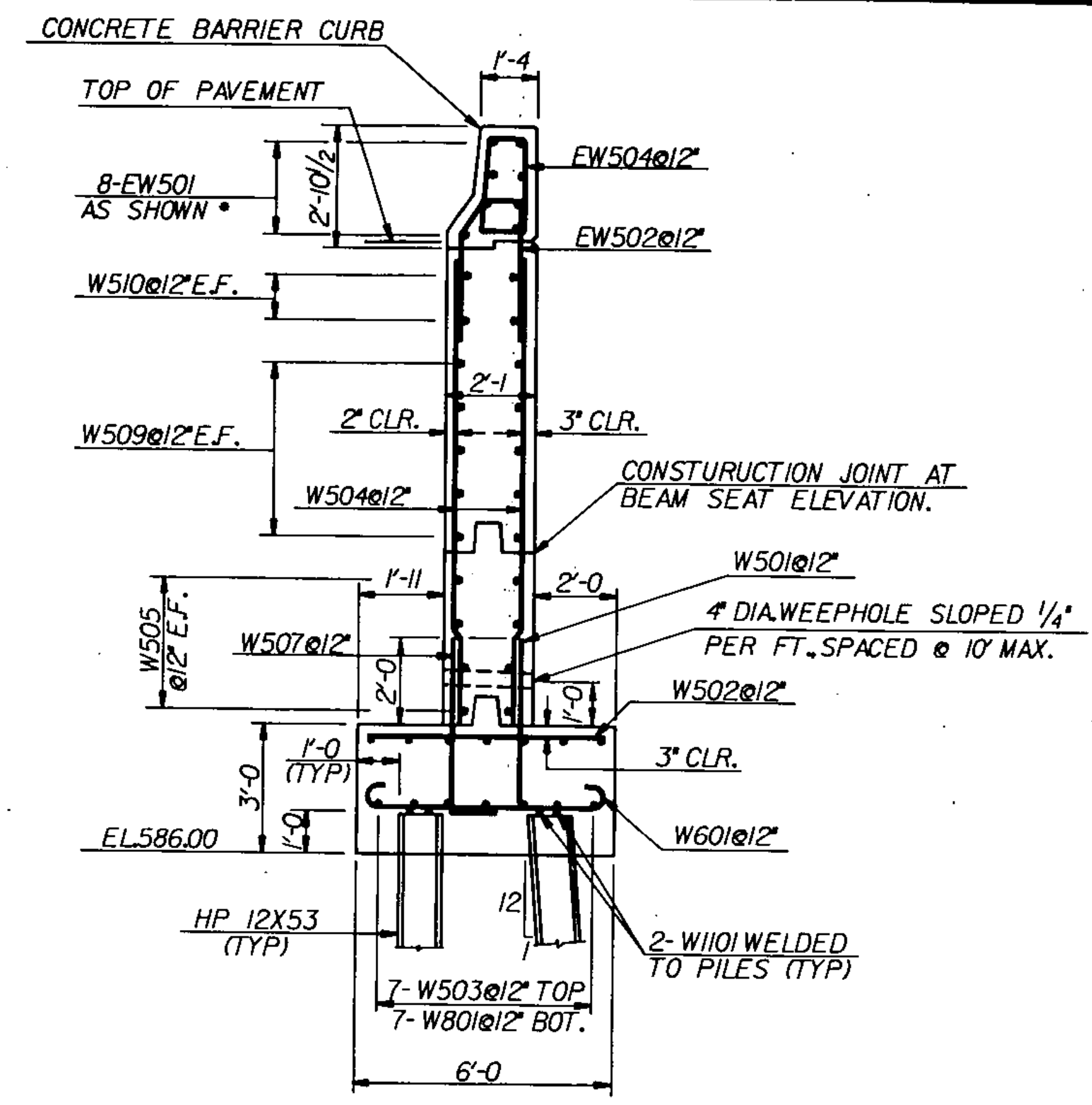


**WINGWALL NO. 2 ELEVATION**  
SCALE 3/8" = 1'-0"

• - INDICATES CUT TO FIT IN FIELD.



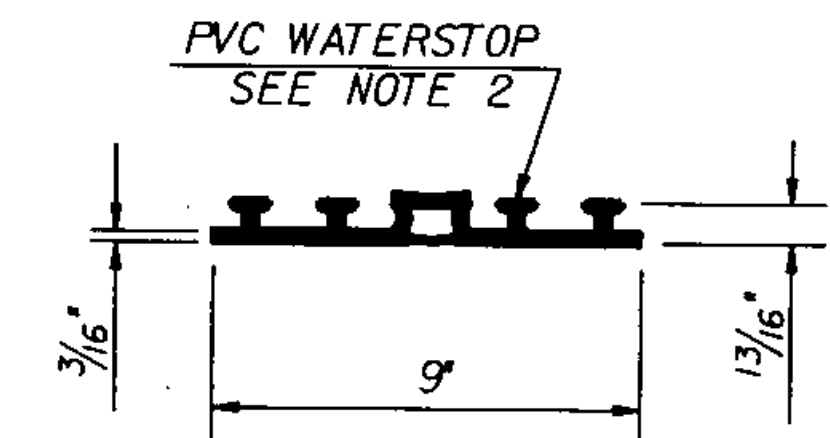
**WINGWALL NO. 1 ELEVATION**  
SCALE 3/8" = 1'-0"



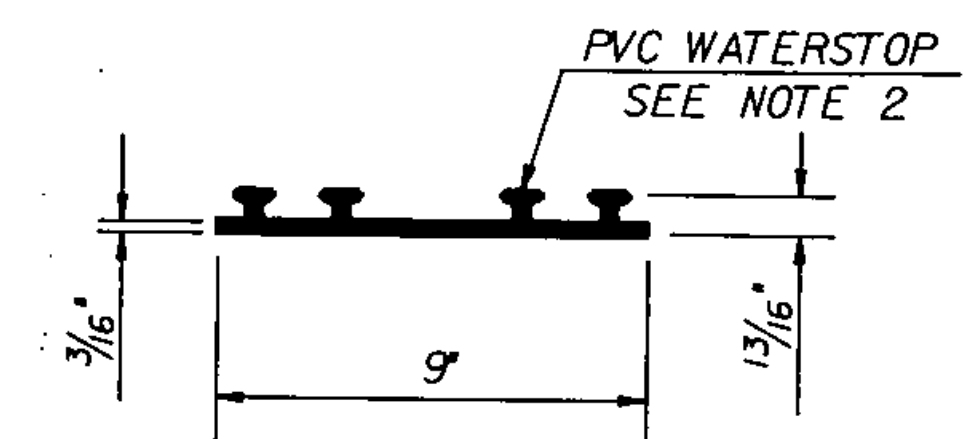
**WINGWALL TYPICAL SECTION**  
SCALE 3/8" = 1'-0"

**NOTES**

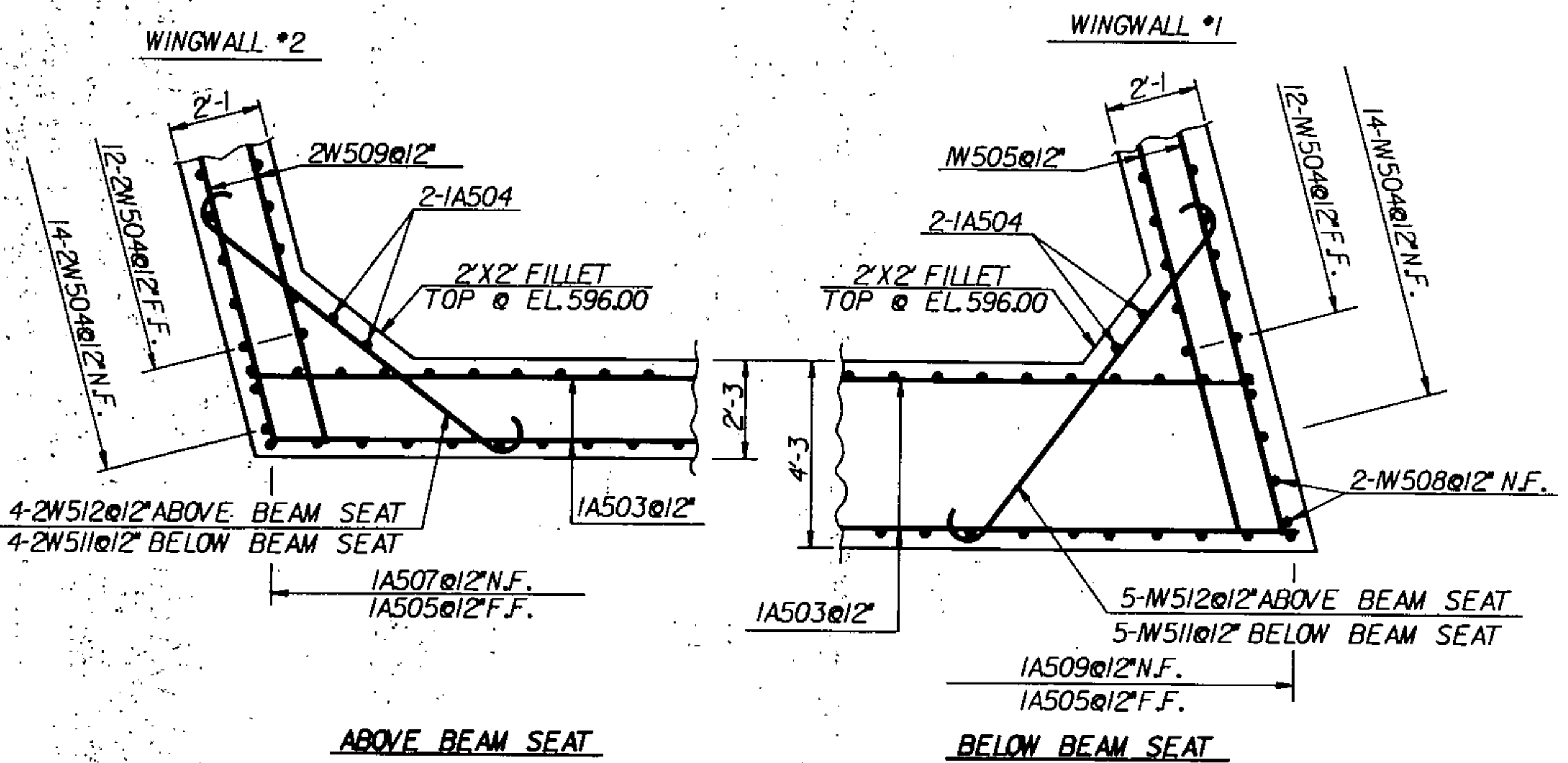
1. FOR CONCRETE BARRIER CURB DETAILS SEE SHEET BR126.
2. THE COST FOR FURNISHING AND INSTALLING PVC WATERSTOP, AS SHOWN ON THESE PLANS, SHALL BE SUBSIDIARY TO THE UNIT PRICE BID FOR CONCRETE, CLASS B.



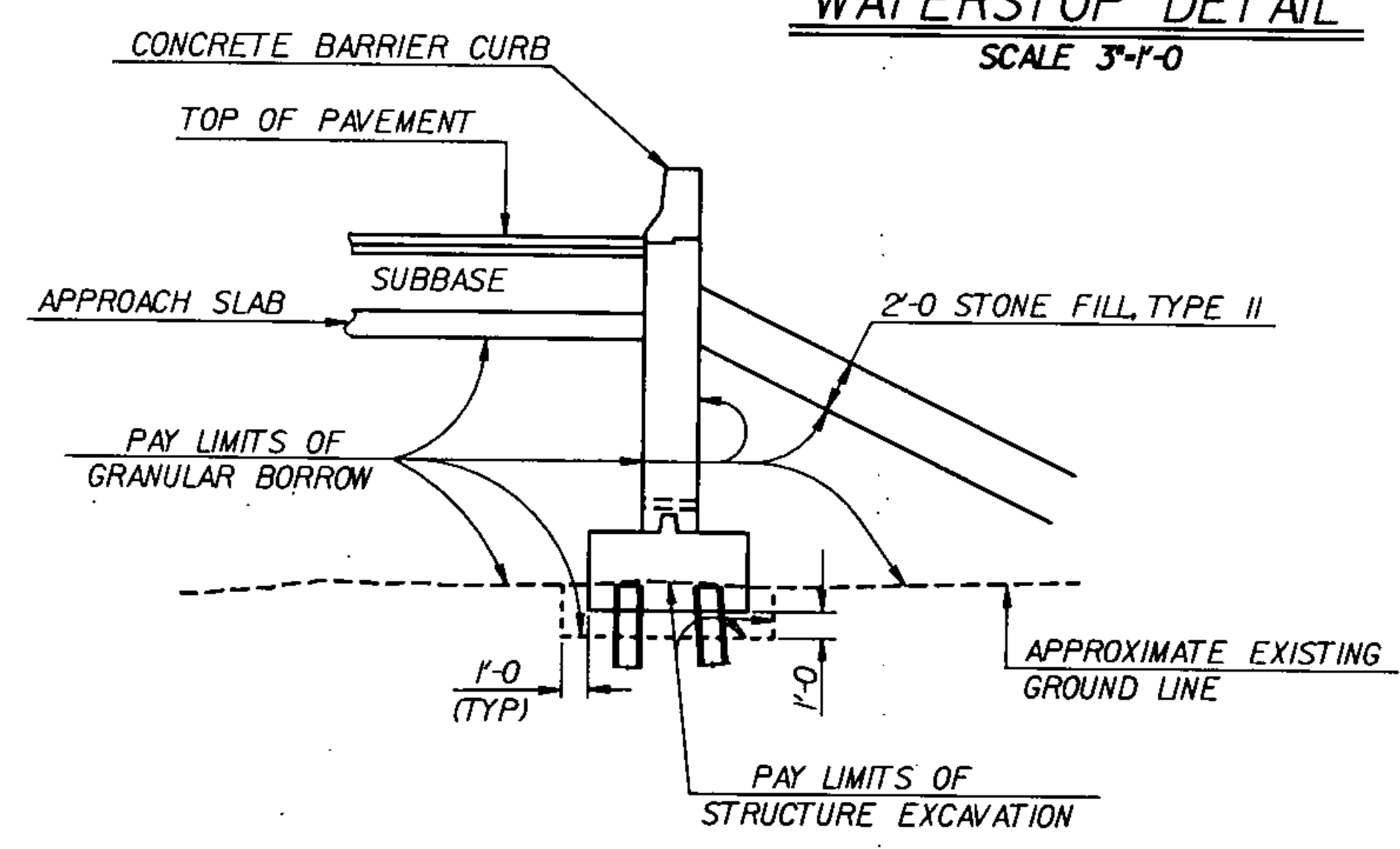
**ABUTMENT # 1 WATERSTOP DETAIL**  
SCALE 3'-1'-0"



**ABUTMENT # 2 WATERSTOP DETAIL**  
SCALE 3'-1'-0"



**CORNER DETAILS**  
SCALE 3/8" = 1'-0"



**EARTHWORKS LIMITS**  
SCALE 3/16" = 1'-0"

<b>STATE OF VERMONT</b>		<b>AGENCY OF TRANSPORTATION</b>	
Town Of	ST. JOHNSBURY	Bridge No.	1
Highway No.	191 NORTHERN CONN.	Log Sta.	6000
		Surv. Sta.	6000
<b>WINGWALLS #1 AND #2 DETAILS</b>			
191 NORTHERN CONNECTOR OVER THE PASSUMPIC RIVER			
Designed By	G. SPILAK	Drawn By	D. C. WILLEY
Checked By	M. GARCIA	Bridge Design Supervisor	R. S. HAUPT
Date	7-84	Date	7-84
PROJECT	ST. JOHNSBURY	PROJECT NO.	DP-FF041-1(10)
L&C. Info. OSAL 30.25176D07MWDGN			
Bridge Sheet No.	BR120	Sheet	78 of 229