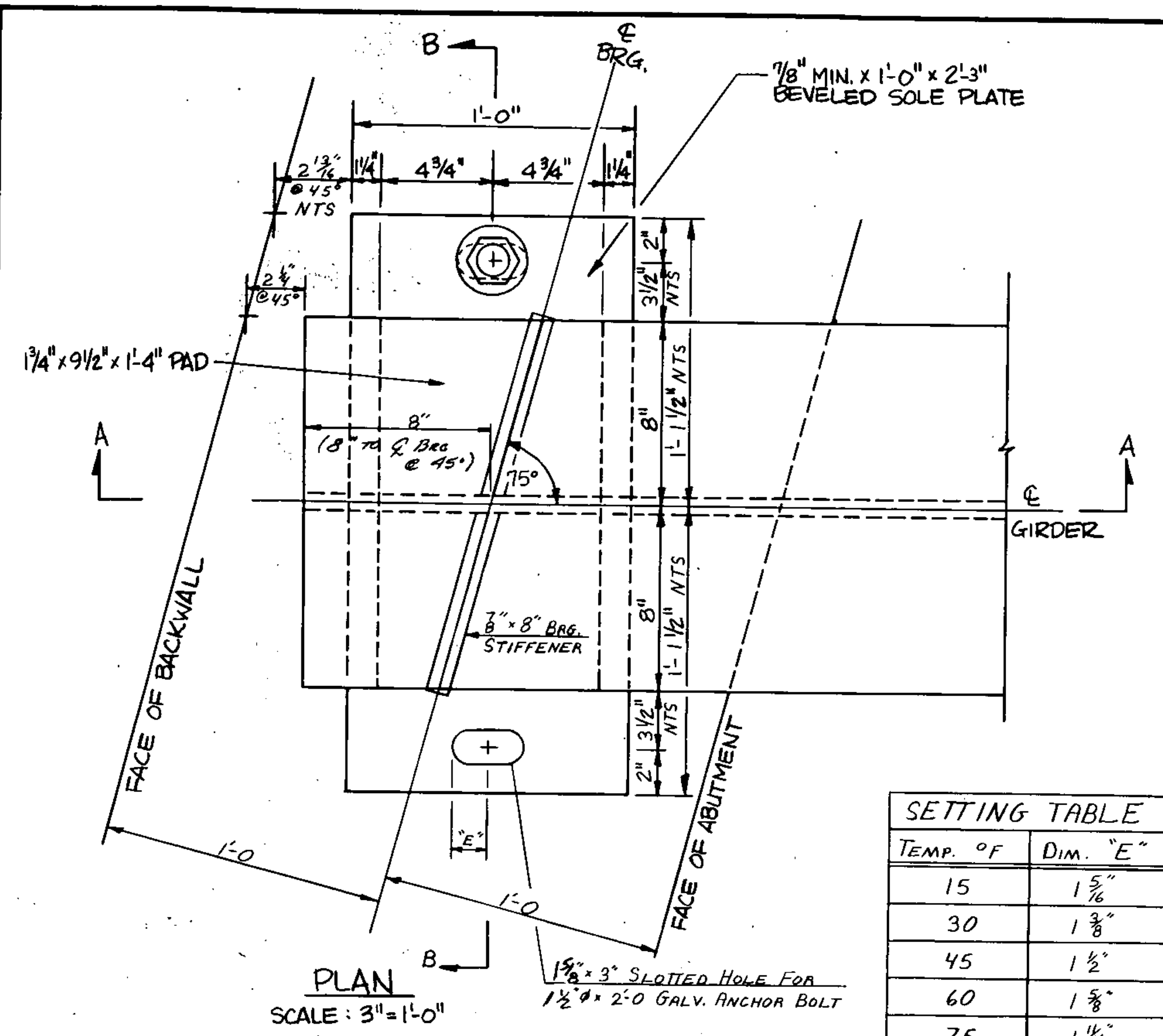
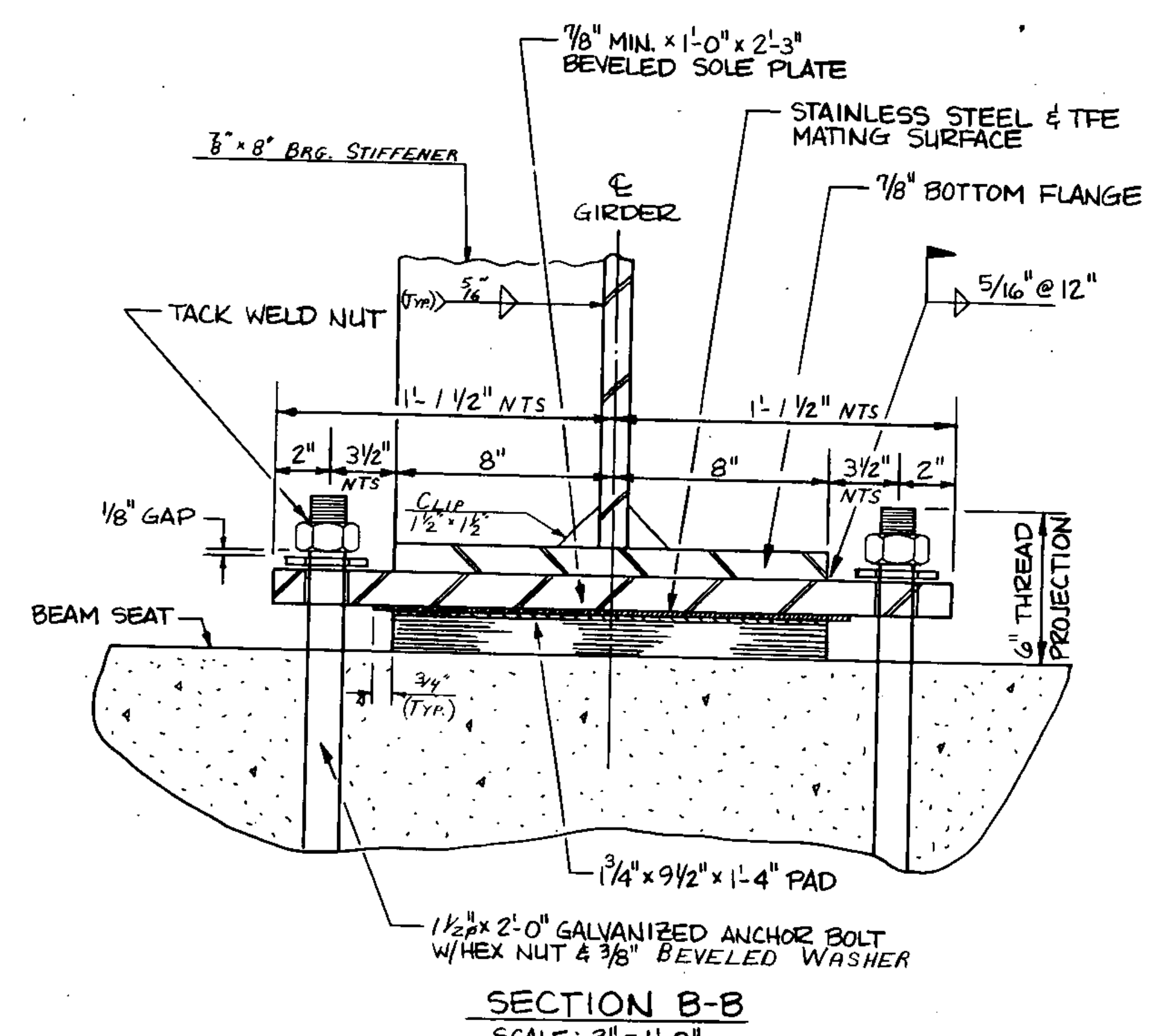
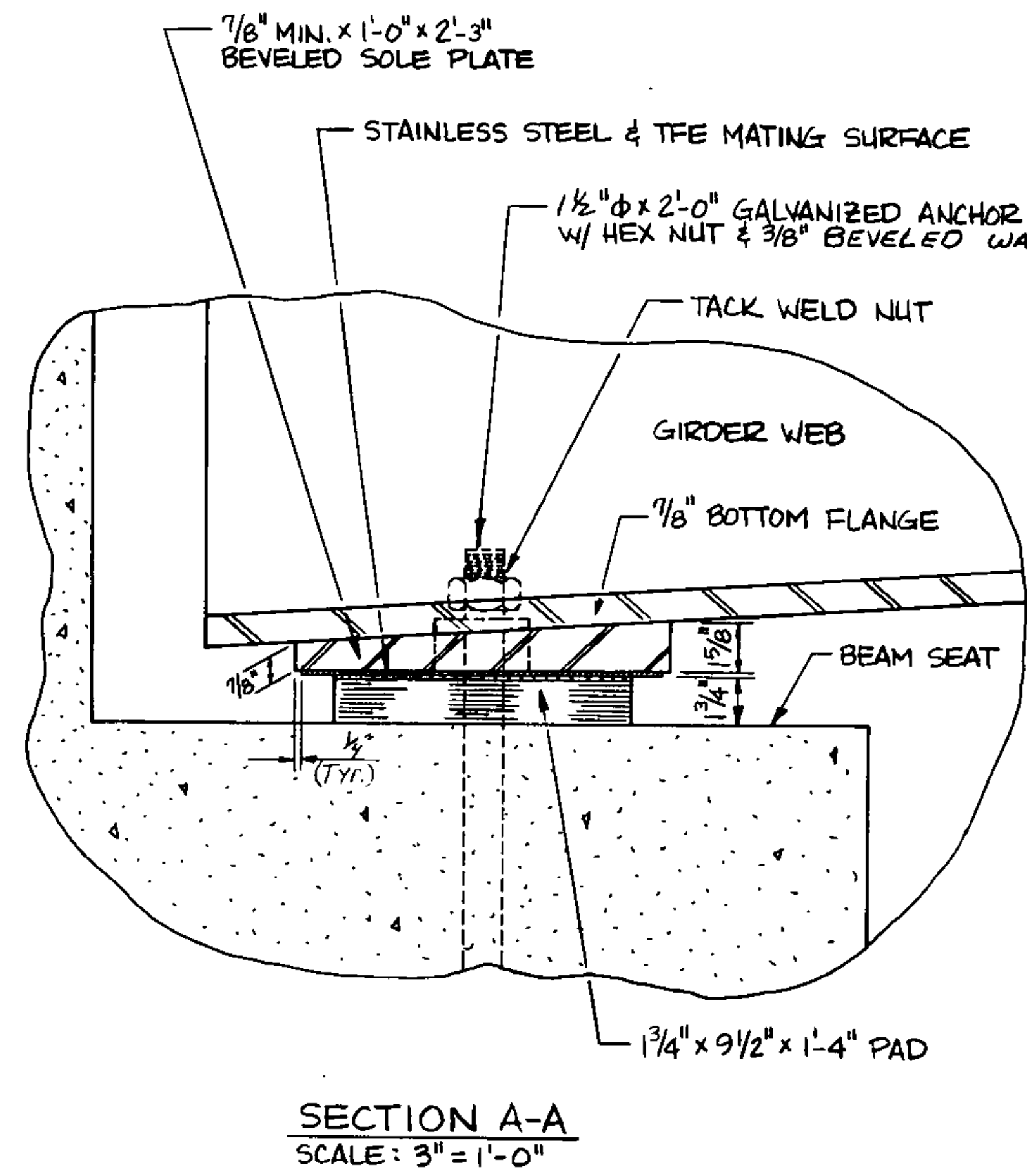


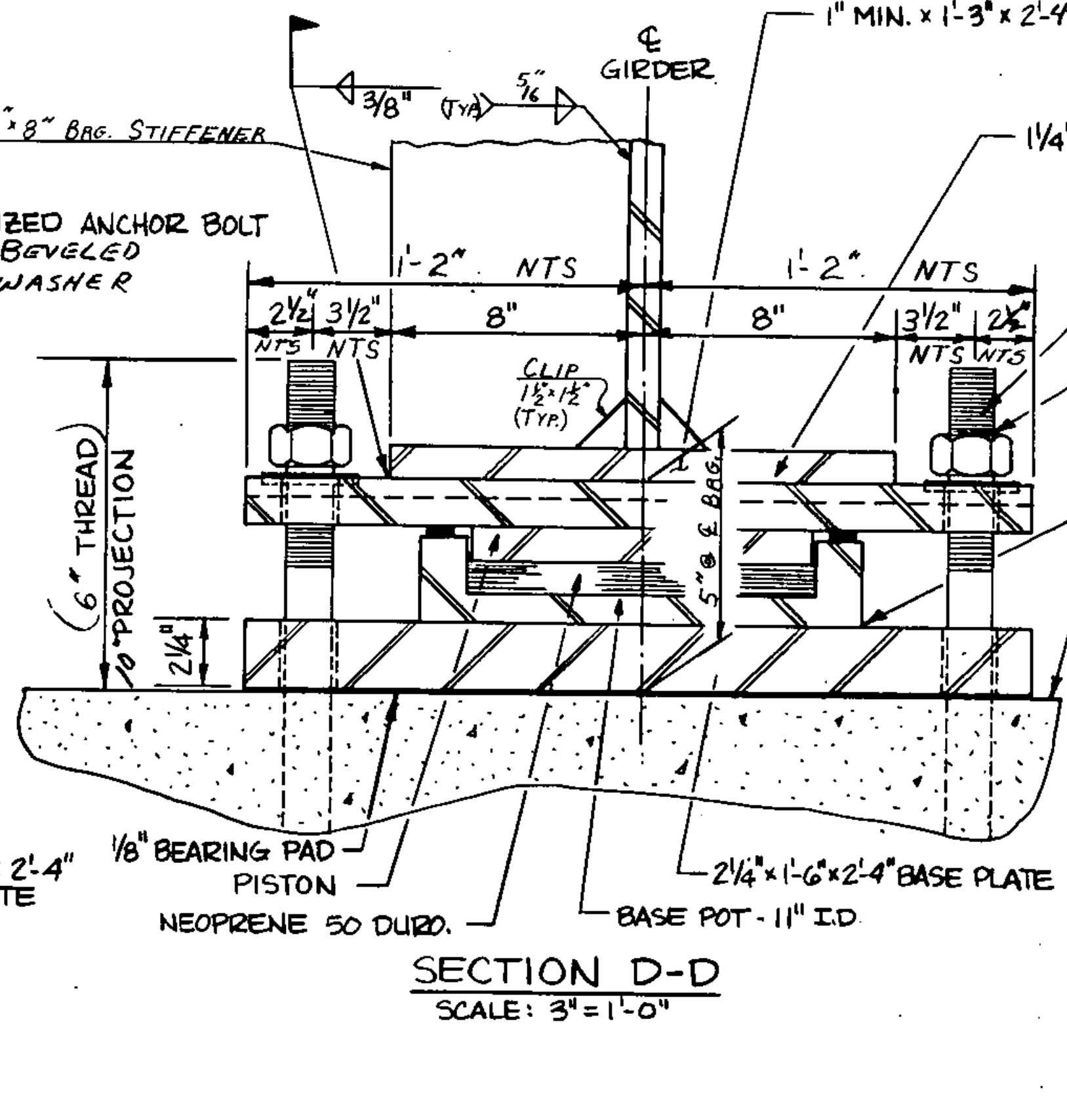
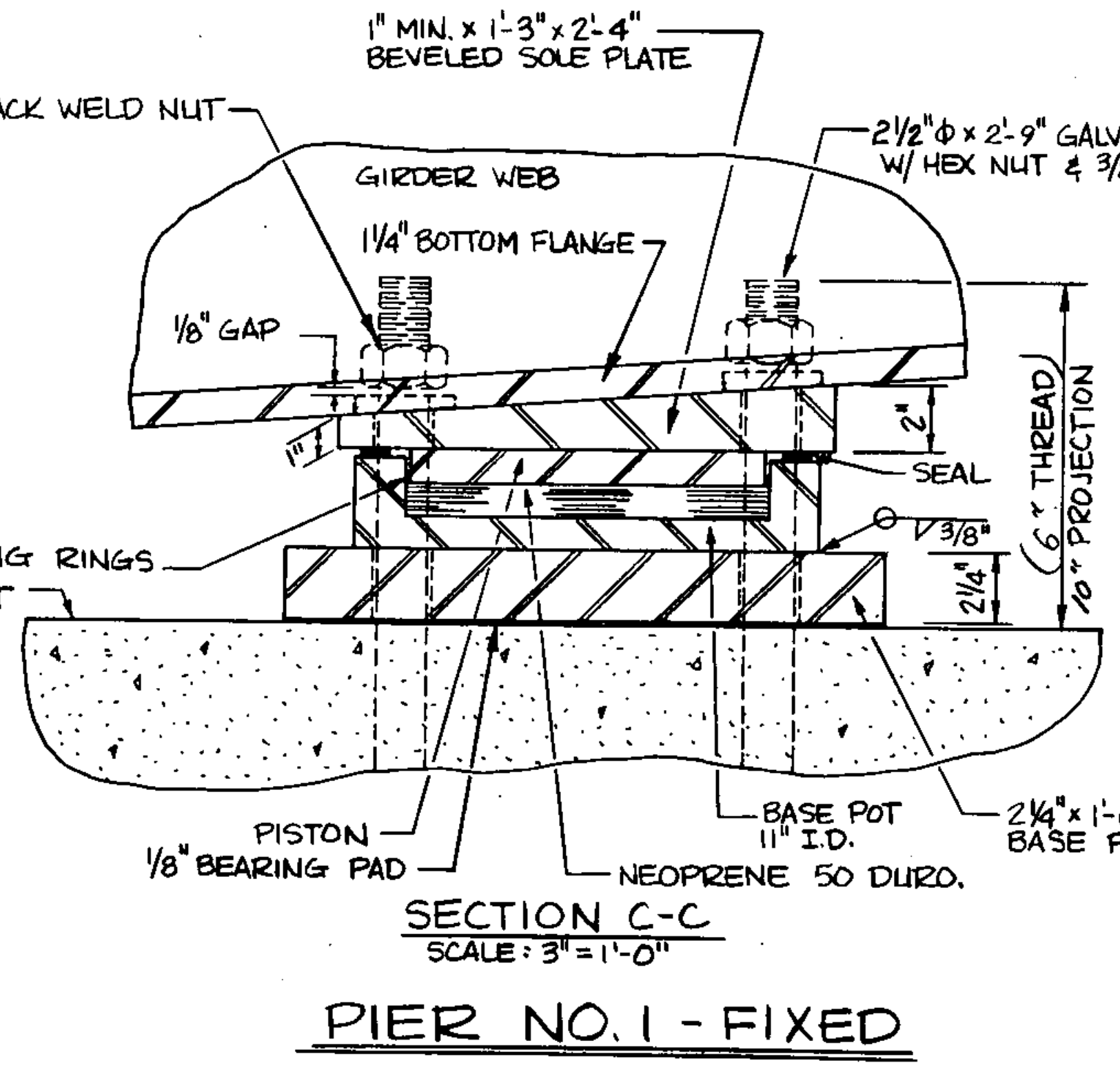
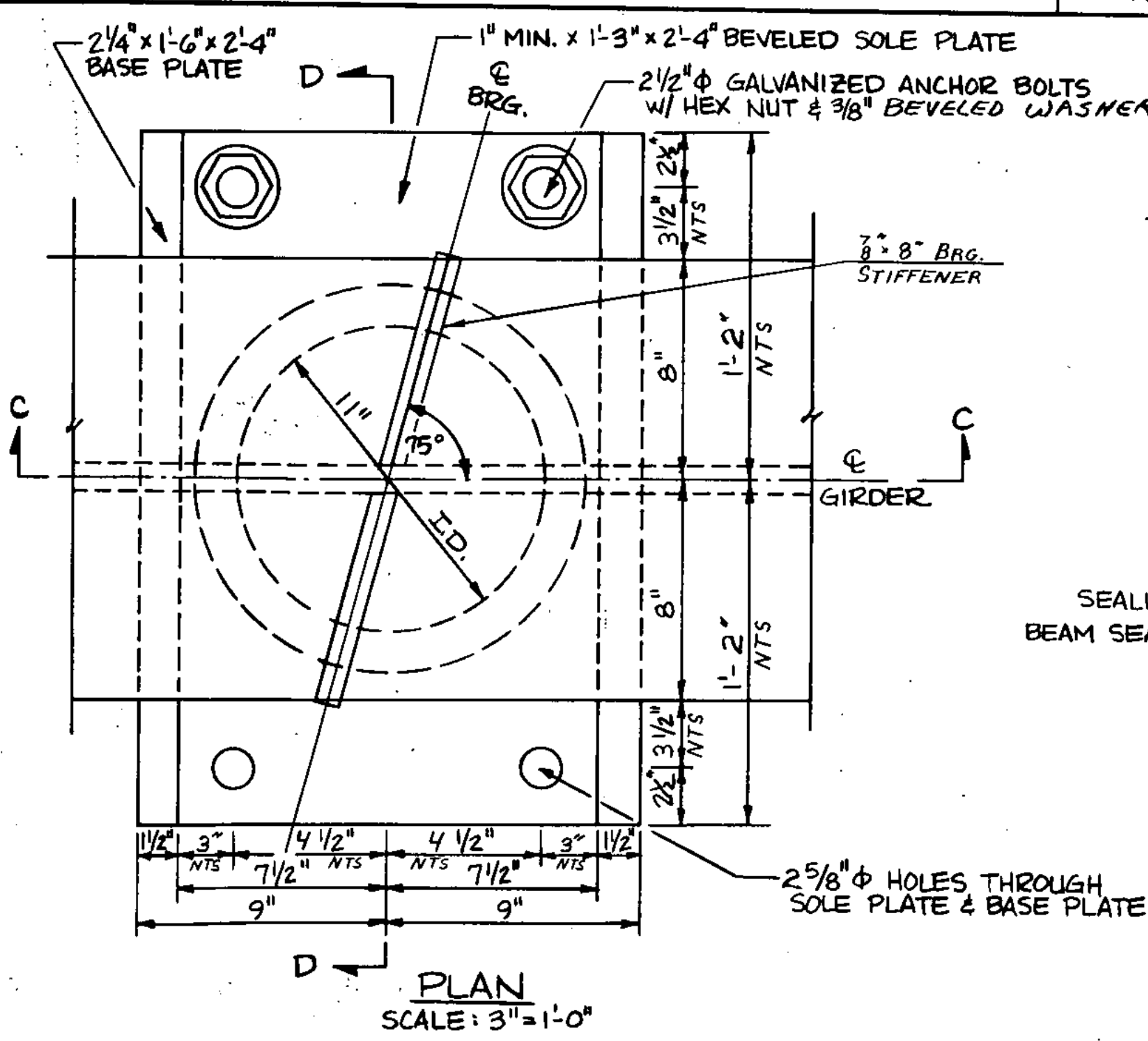
NOTE: FOR BEARING DEVICE NOTES SEE SHEET BR104.



TEMP. °F	DIM. "E"
15	1 5/16"
30	1 3/8"
45	1 1/2"
60	1 5/8"
75	1 3/4"
90	1 7/8"



SECTION A-A
SCALE: 3"=1'-0"
ABUTMENT NO. 1 - EXPANSION



SECTION C-C
SCALE: 3"=1'-0"
PIER NO. 1 - FIXED

SECTION D-D
SCALE: 3"=1'-0"

**STATE OF VERMONT
AGENCY OF TRANSPORTATION**

TOWN OF ST. JOHNSBURY	Bridge No. 1
HIGHWAY NO. I-91 NORTH CONNECTOR	Log Sta. 60+0
I-91 NORTH CONNECTOR OVER PASSUMPSIC RIVER	
ABUT. NO. 1 & PIER NO. 1 BEARING DEVICE DETAILS	
Designed by G.V. SPILAK	Drawn by G. KLINEFELTER
Checked by M. GARCIA date 9-84	Bridge Design Supervisor R.S. HAUPT date 11-84
PROJECT ST. JOHNSBURY	PROJECT NO. DP-FF041-1(10)
Bridge Sheet No. BR112	Sheet 70 of 229

BR-4-83