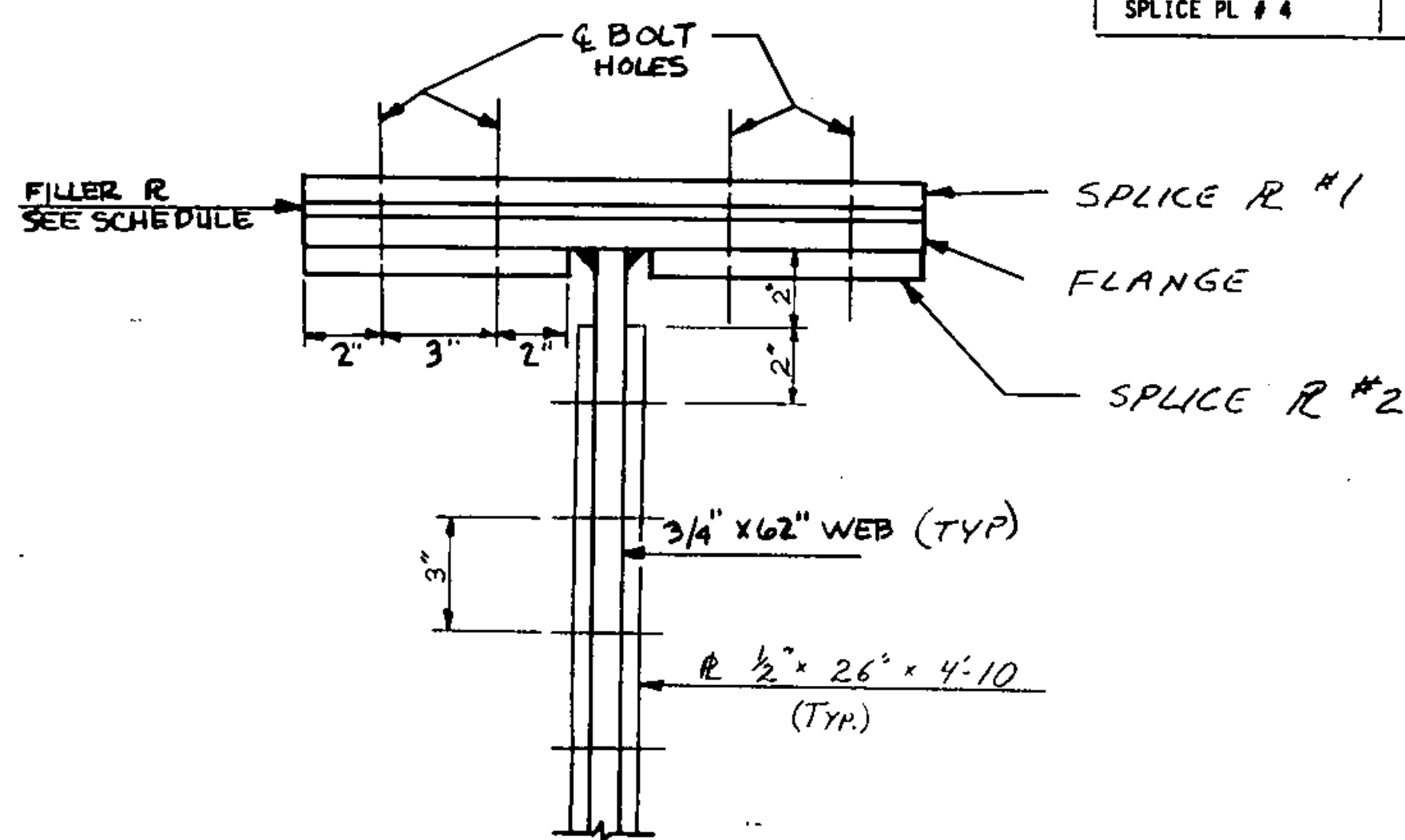


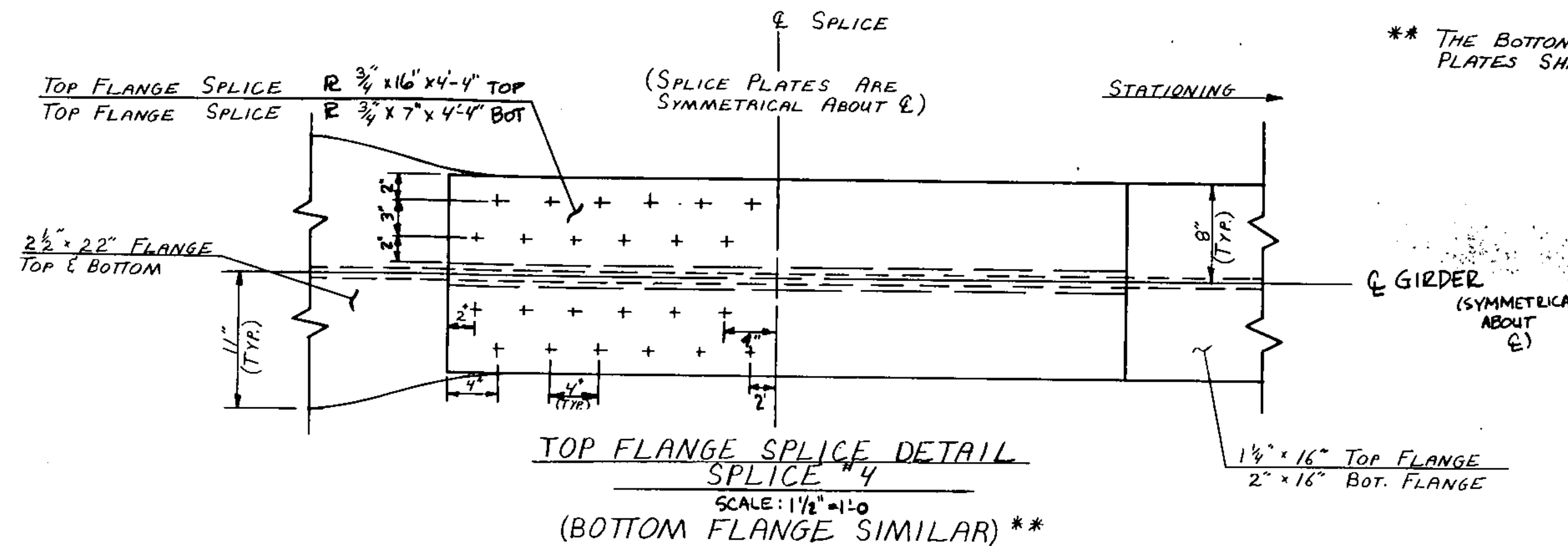
GIRDER SPLICE DETAIL
SCALE: 1/2"=1'-0

SPLICE PLATE SCHEDULE

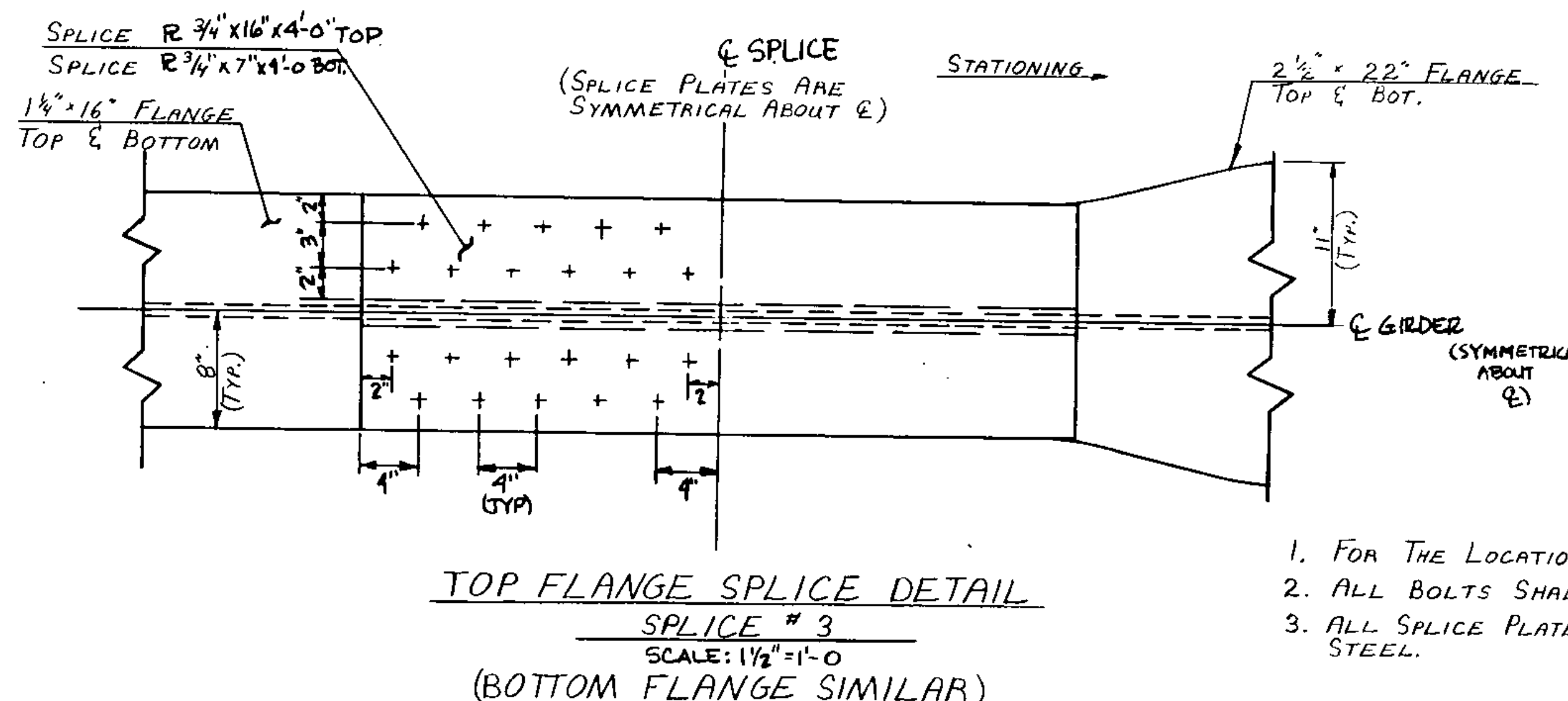
	SPLICE # 2	SPLICE # 3	SPLICE # 4
SPLICE PL # 1	5/8"x16"x3'-0"	3/4"x16"x4'-0"	3/4"x16"x4'-4"
FILLER PL # 1	N/A	1 1/4"x16"x2'-0"	1 1/4"x16"x2'-2"
SPLICE PL # 2	5/8"x7"x3'-0"	3/4"x7"x4'-0"	3/4"x7"x4'-4"
SPLICE PL # 3	5/8"x7"x3'-0"	3/4"x7"x4'-0"	1"x7"x4'-4"
FILLER PL # 2	N/A	1 1/4"x16"x2'-0"	1/2"x16"x2'-2"
SPLICE PL # 4	5/8"x16"x3'-0"	3/4"x16"x4'-0"	1"x16"x4'-4"



SECTION A-A
SCALE: 3"=1'-0

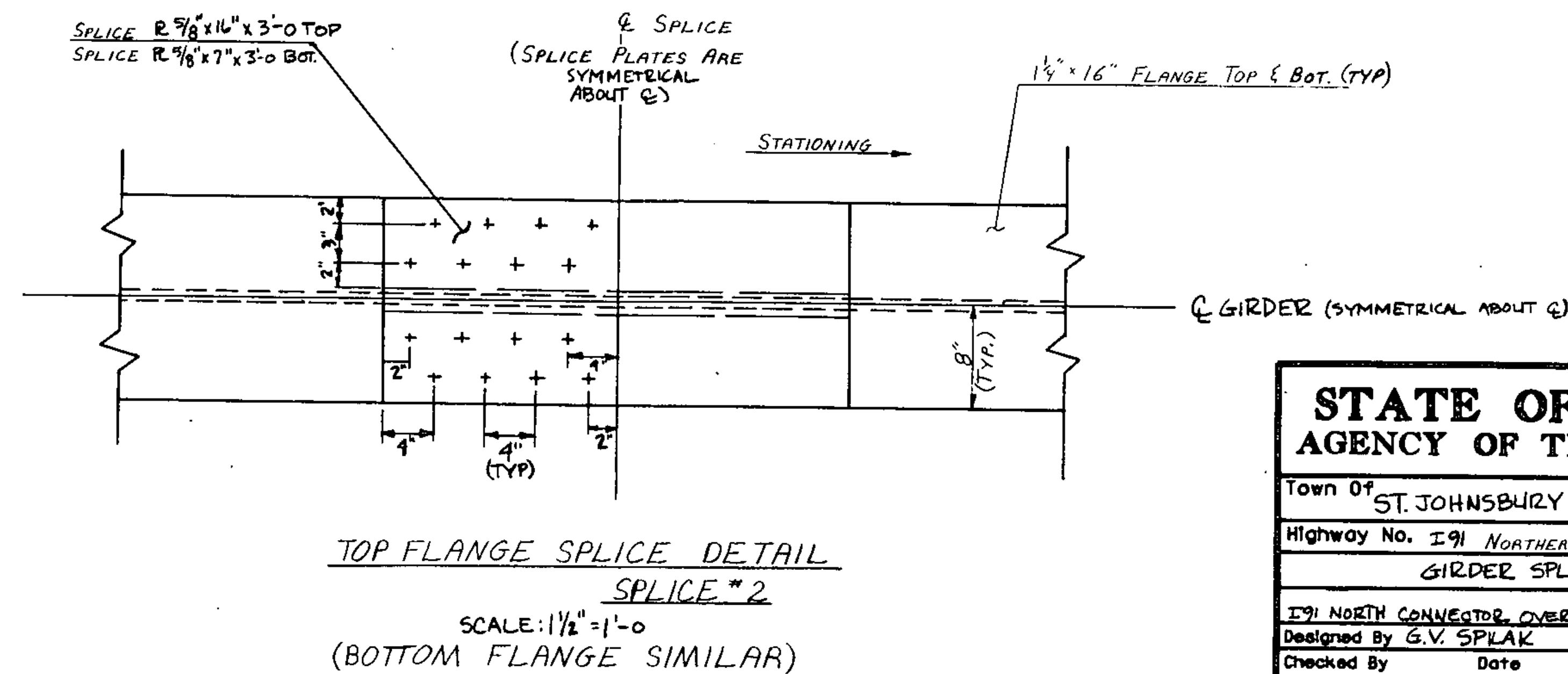


** THE BOTTOM FLANGE SPLICE PLATES SHALL BE 1" THICK.



NOTES

1. FOR THE LOCATION OF GIRDER SPLICES SEE SHEET BR108.
2. ALL BOLTS SHALL BE 3/8" H.S. BOLTS IN 1/2" HOLES. A325
3. ALL SPLICE PLATES AND FILLER PLATES SHALL BE A588 STEEL.



STATE OF VERMONT
AGENCY OF TRANSPORTATION

Town of ST. JOHNSBURY	Bridge No. 1
Highway No. I91 NORTHERN CONN.	Log Sta. 60+00
GIRDER SPLICE DETAILS.	
I91 NORTH CONNECTOR OVER THE PASSUMPSIC RIVER	
Designed By G.V. SPLAK	Drawn By T. GRACE
Checked By D.C. WILLEY Date 7-84	Bridge Design Supervisor R.S. HAUPT Date 8-84
PROJECT ST. JOHNSBURY	PROJECT NO. DP-FF041-1(10)
L&C. Info.	
Bridge Sheet No. BR109	Sheet 67 of 229

BRIDGE SPLICES