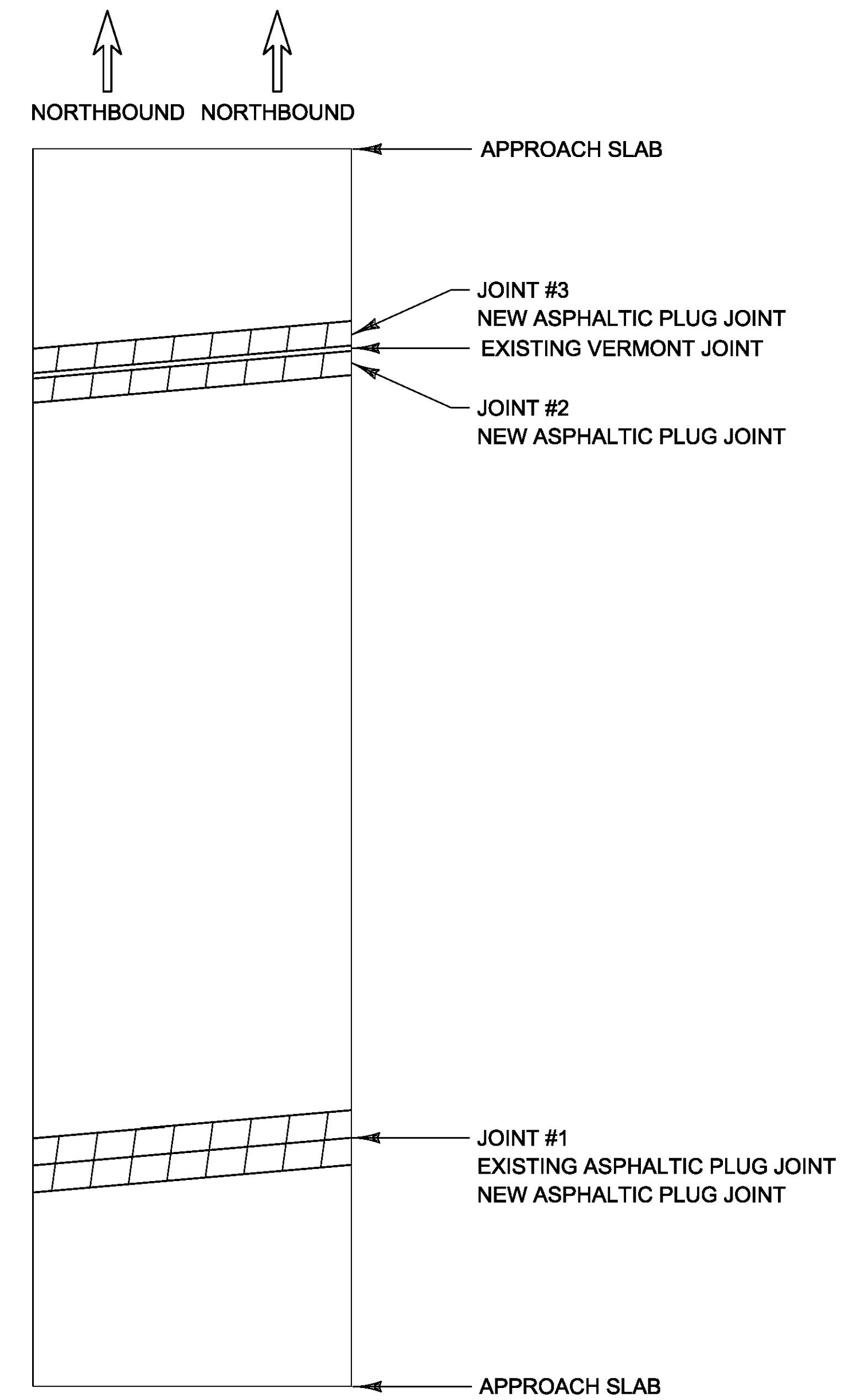


BRIDGE #88-S
MM 113.747 - ST. ALBANS

LENGTH OF NEW ASPHALTIC PLUG JOINTS:
JOINT #1 = 37'
JOINT #2 = 37'
JOINT #3 = 37'
TOTAL = 111'



BRIDGE #88-N
MM 113.747 - ST. ALBANS

BRIDGE #88-N
MM 113.747

LENGTH OF NEW ASPHALTIC PLUG JOINTS:
JOINT #1 = 43'
JOINT #2 = 43'
JOINT #3 = 43'
TOTAL = 129'

PROJECT NAME: COLCHESTER-SWANTON	PLOT DATE: 09-DEC-2016
PROJECT NUMBER: IM SURF(56)	DRAWN BY: B. KIPP
FILE NAME: pl6v07l_wrk.dgn	CHECKED BY: M. FOWLER
DESIGNED BY: B. KIPP	SHEET 21 OF 54
BRIDGE DETAIL SHEET 8	