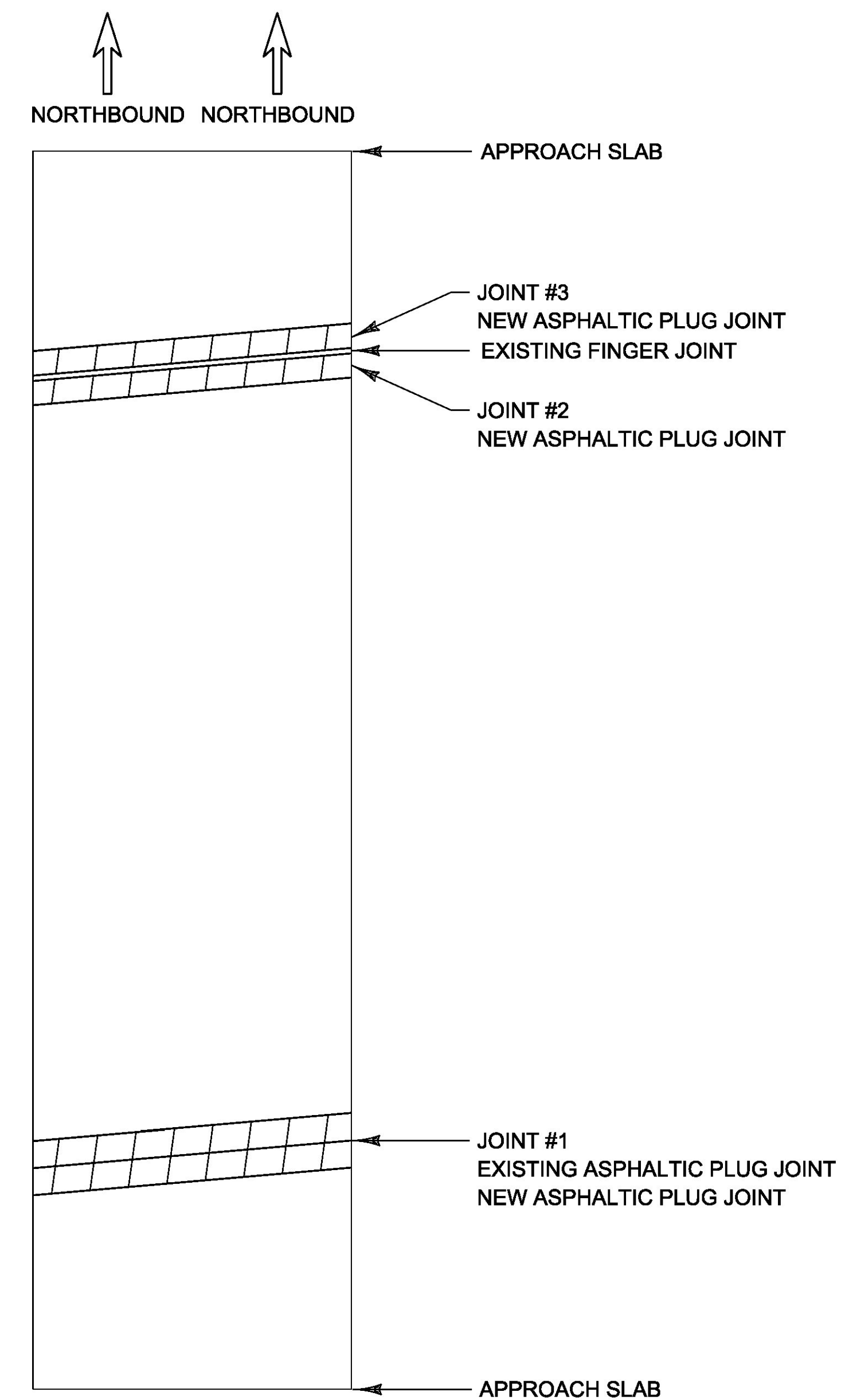


**BRIDGE #77-S**  
MM 96.566 - COLCHESTER

LENGTH OF NEW ASPHALTIC PLUG JOINTS:  
JOINT #1 = 31'  
JOINT #2 = 31'  
JOINT #3 = 31'  
TOTAL = 93'



**BRIDGE #77-N**  
MM 96.566 - COLCHESTER

LENGTH OF NEW ASPHALTIC PLUG JOINTS:  
JOINT #1 = 31'  
JOINT #2 = 31'  
JOINT #3 = 31'  
TOTAL = 93'

PROJECT NAME: COLCHESTER-SWANTON	
PROJECT NUMBER: IM SURF(56)	
FILE NAME: p16v071_wrk.dgn	PLOT DATE: 09-DEC-2016
PROJECT LEADER: M. FOWLER	DRAWN BY: B. KIPP
DESIGNED BY: B. KIPP	CHECKED BY: M. FOWLER
BRIDGE DETAIL SHEET 3	SHEET 16 OF 54