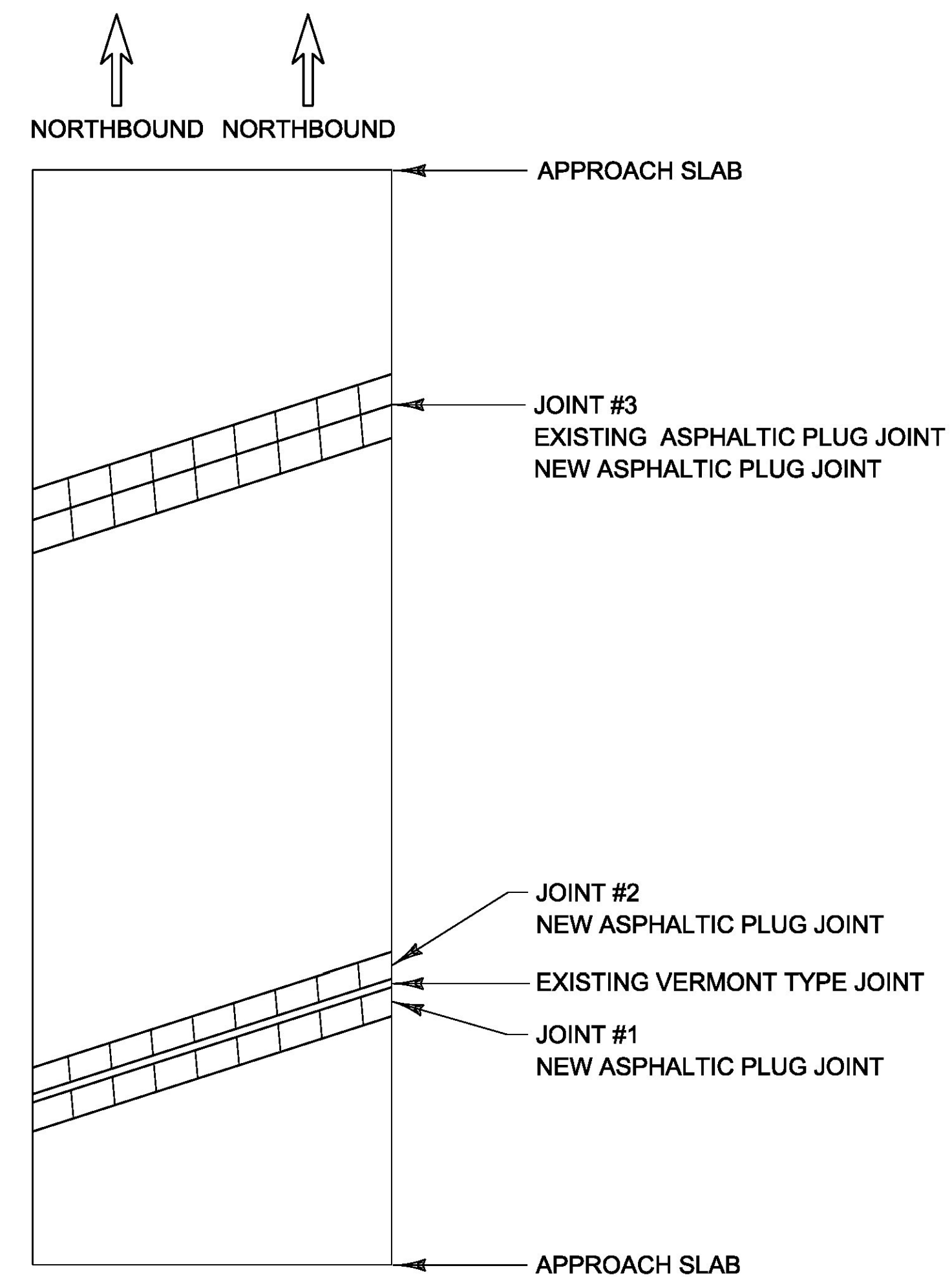


BRIDGE #76-S
MM 95.307 - COLCHESTER

LENGTH OF NEW ASPHALTIC PLUG JOINTS:
JOINT #1 = 31'
JOINT #2 = 31'
JOINT #3 = 31'
TOTAL = 93'



BRIDGE #76-N
MM 95.307 - COLCHESTER

LENGTH OF NEW ASPHALTIC PLUG JOINTS:
JOINT #1 = 31'
JOINT #2 = 31'
JOINT #3 = 31'
TOTAL = 93'

PROJECT NAME:	COLCHESTER-SWANTON
PROJECT NUMBER:	IM SURF(56)
FILE NAME: pl6v071_wrk.dgn	PLOT DATE: 09-DEC-2016
PROJECT LEADER: M. FOWLER	DRAWN BY: B. KIPP
DESIGNED BY: B. KIPP	CHECKED BY: M. FOWLER
BRIDGE DETAIL SHEET 2	SHEET 15 OF 54