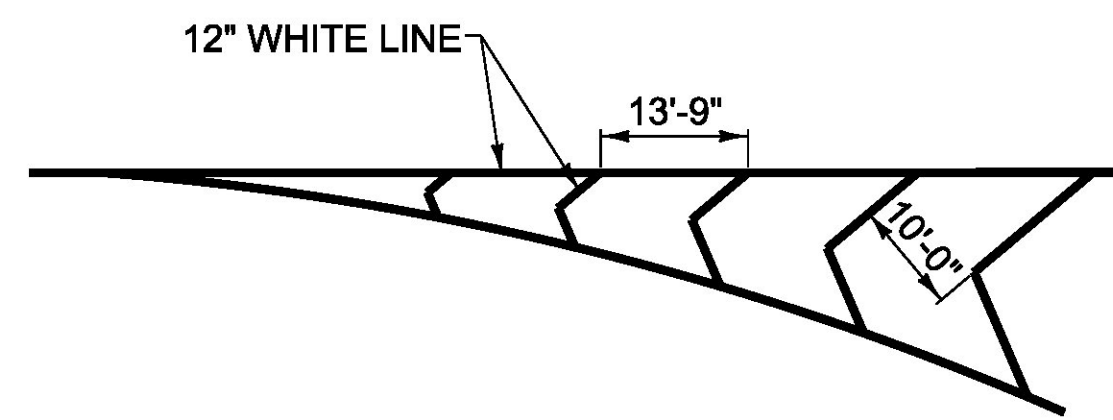


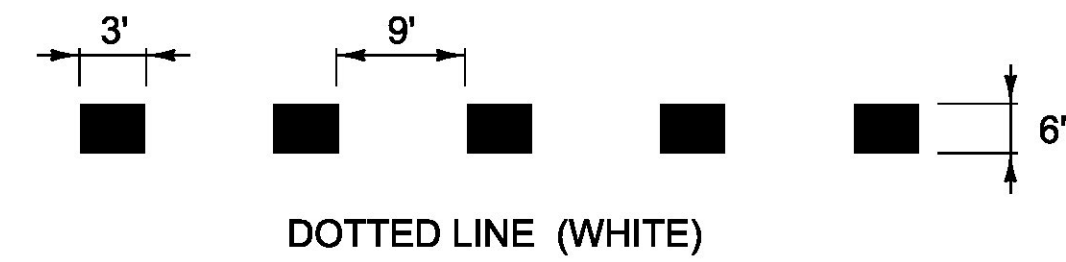
TYPICAL MAINLINE MARKING PLAN
NOT TO SCALE

LEGEND

← DIRECTION OF TRAFFIC FLOW



GORE MARKING DETAIL
NOT TO SCALE



SOLID LINE (WHITE OR YELLOW)

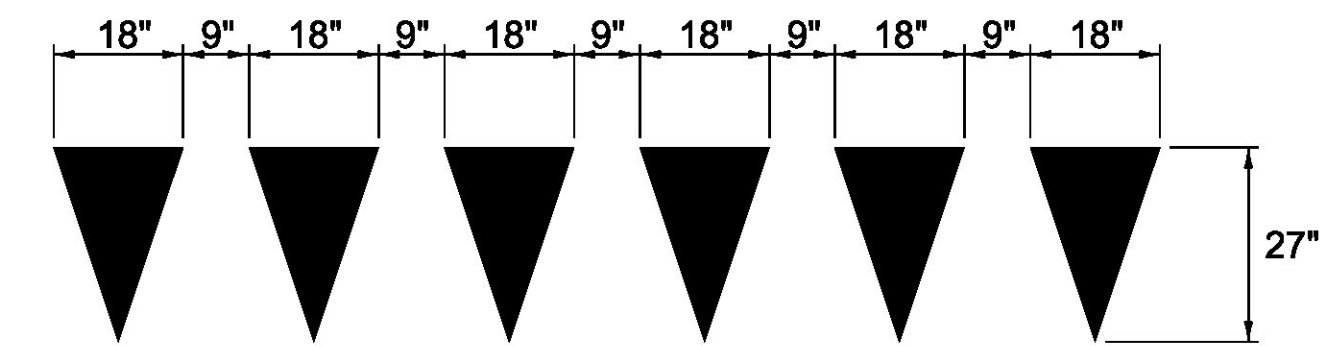


CHANNELIZING LINE (WHITE)

PAVEMENT MARKING LINE DETAILS
NOT TO SCALE

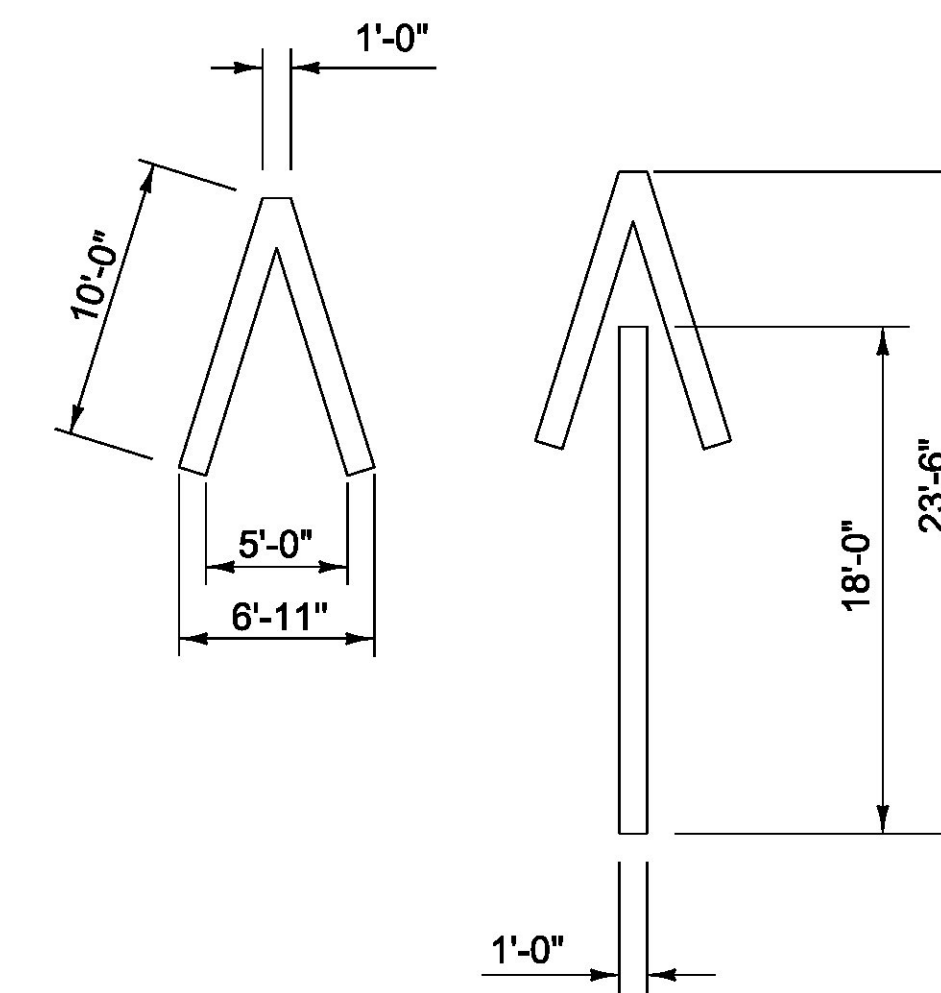


STOP BAR DETAIL
NOT TO SCALE



YIELD LINE DETAILS

NOTE:
1. EACH TRIANGLE WILL BE PAID FOR AS ONE EACH DURABLE LETTER OR SYMBOL.



WRONG WAY ARROW

NOT TO SCALE
MARKINGS TO BE PLACED AT EXISTING WRONG WAY SIGN

PROJECT NAME: COLCHESTER-SWANTON	PLOT DATE: 09-DEC-2016
PROJECT NUMBER: IM SURF(56)	DRAWN BY: B. KIPP
FILE NAME: pl6v071_wrk.dgn	DESIGNED BY: B. KIPP
PROJECT LEADER: M. FOWLER	CHECKED BY: M. FOWLER
PAVEMENT MARKING DETAIL	SHEET 10 OF 54