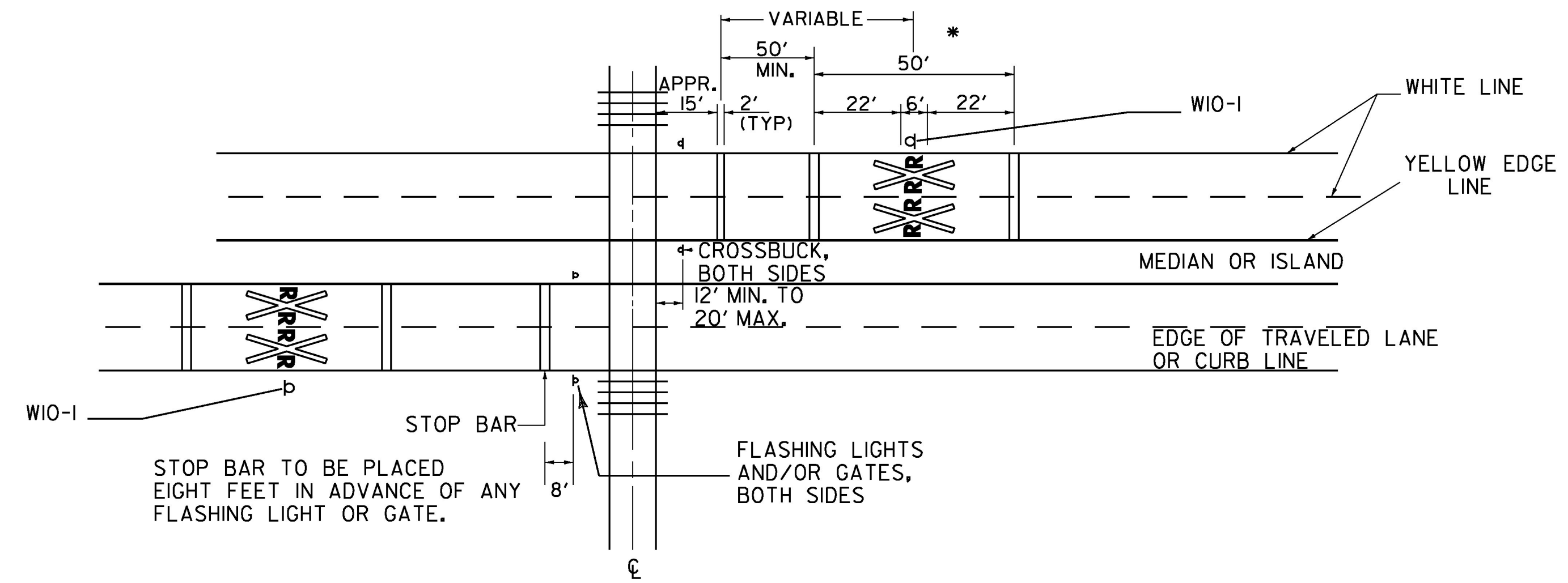


# TYPICAL PAVEMENT MARKINGS



**4 LANE DIVIDED HIGHWAY**

NOT TO SCALE

PROJECT NAME:	STATEWIDE
PROJECT NUMBER:	IMG MARK(116)
FILE NAME:	z16+084.dgn
PROJECT LEADER:	C. LATHROP
DESIGNED BY:	P. DAY
TYPICAL PAVEMENT MARKING SHEET 4	PLOT DATE: 1/23/2017
	DRAWN BY: P. DAY
	CHECKED BY: C. LATHROP
	SHEET 6 OF 34