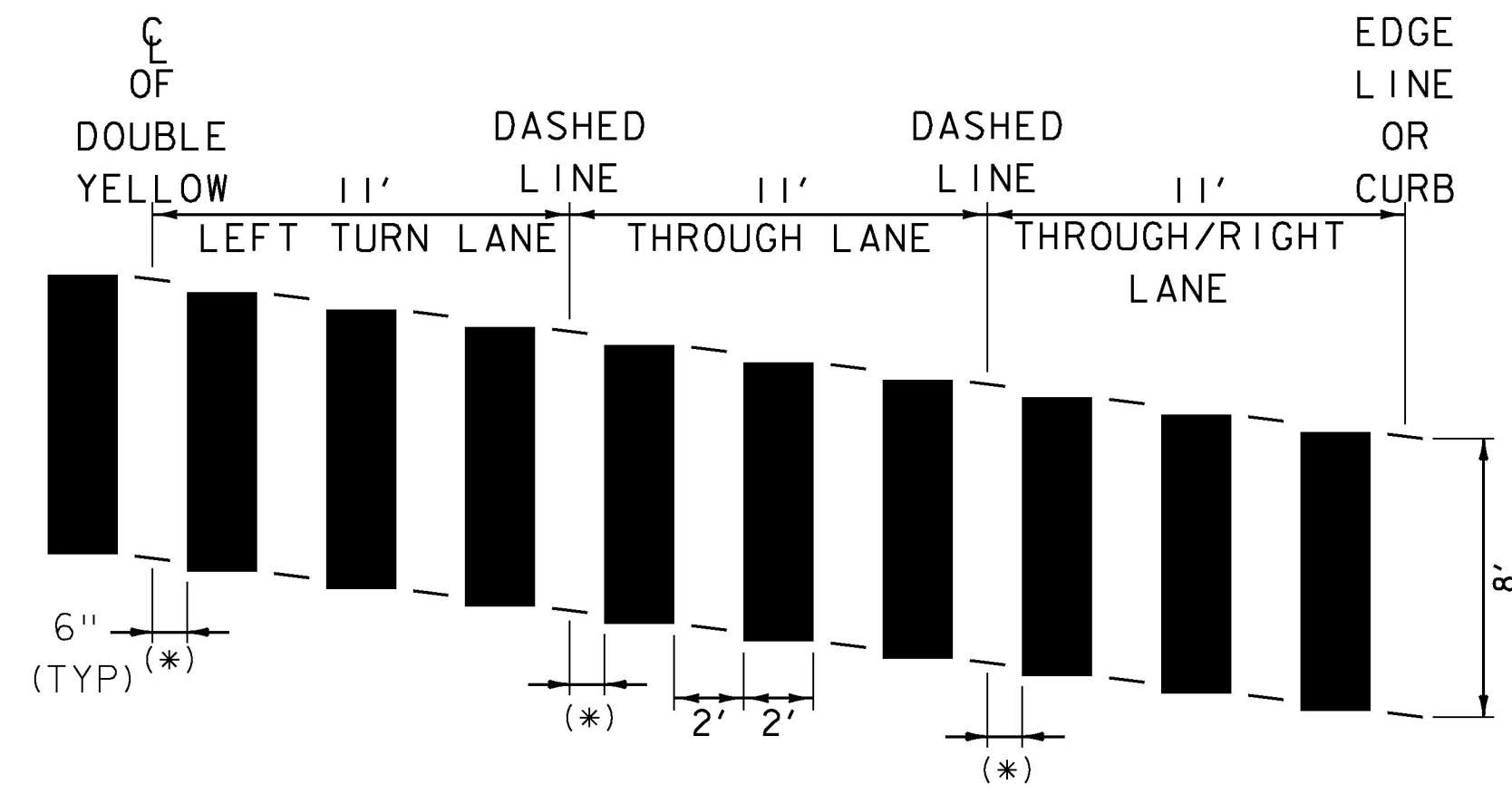


TYPICAL PAVEMENT MARKINGS



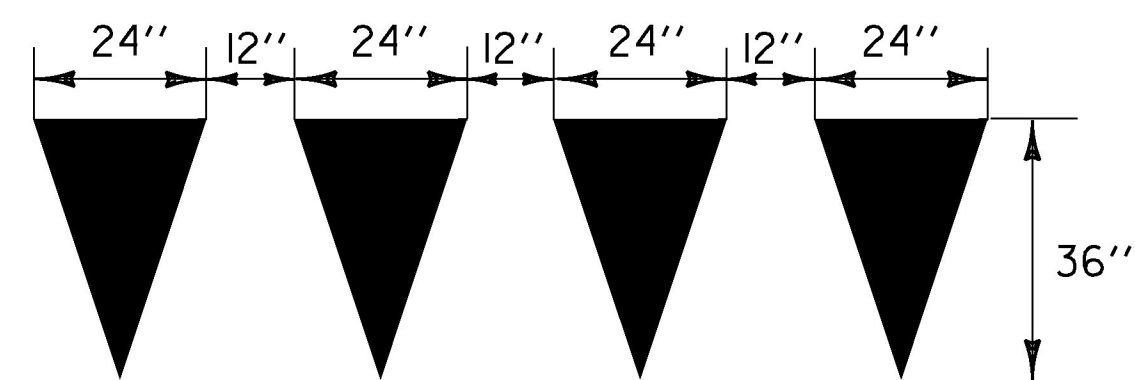
SKewed CROSSWALK PATTERN DETAIL

NOTES

1. THIS DETAIL IS CONFIGURED FOR AN 11 FOOT LANE.
2. MARK LIGHT STRING LINE ON PAVEMENT ACROSS ROADWAY (CURB TO CURB).
3. ESTABLISH THE CENTERLINE OF THE ROADWAY (DOUBLE YELLOW LINE OR LANE LINE).
4. BLOCKS ARE PARALLEL OF THE CENTERLINE (DOUBLE YELLOW LINE OR LANE LINE). (OFFSET BLOCKS VERTICALLY TO ACHIEVE REQUIRED SKEW).
5. ALWAYS START MEASURING FROM THE CENTERLINE OR LANE LINE RIGHT, WITH THE FLOW OF TRAFFIC.
6. PAINTED BLOCKS ARE 24 INCHES (TYPICAL).
- (*)7. THIS DISTANCE WILL INCREASE TO 1 FOOT FOR 12 FOOT LANES.

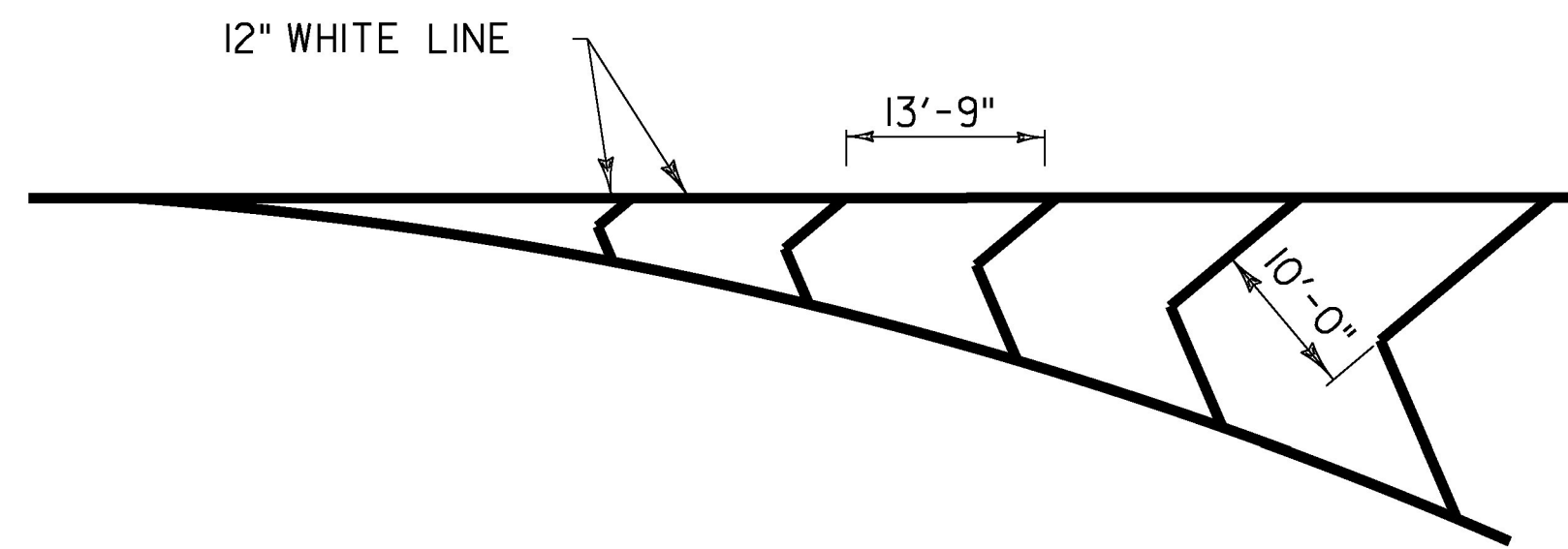


STOP BAR DETAIL

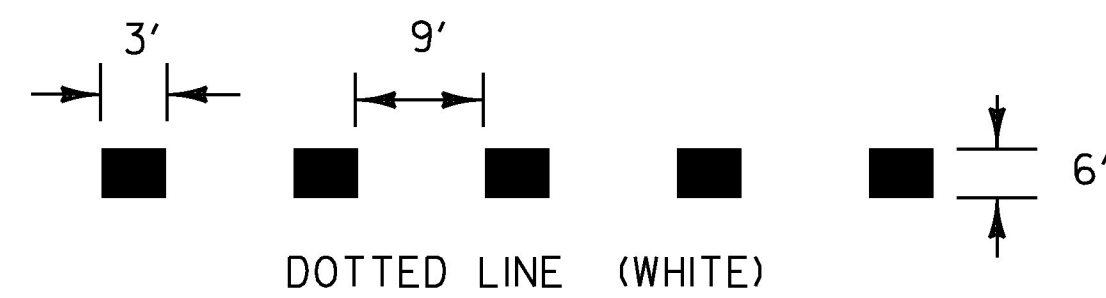


YIELD LINE DETAILS

TO BE INSTALLED ONLY AT THE DIRECTION OF THE ENGINEER TO BE PAID AS ONE LETTER OR SYMBOL PER TRIANGLE



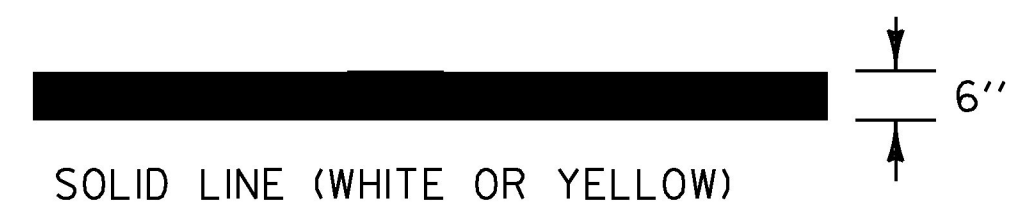
CHEVRON GORE MARKING DETAIL



DOTTED LINE (WHITE)



DOTTED LINE (WHITE)



SOLID LINE (WHITE OR YELLOW)

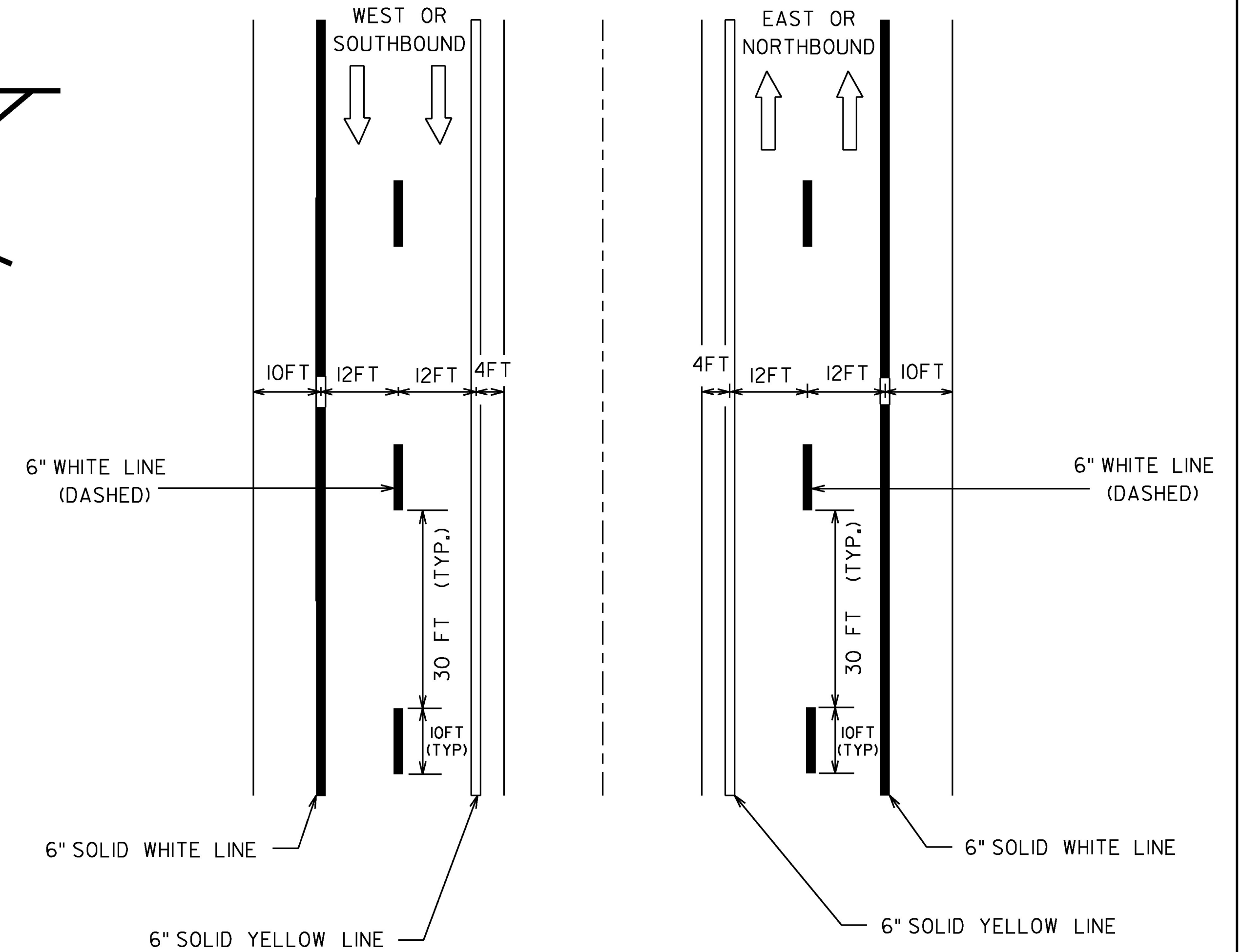


CHANNELIZING LINE (WHITE)



TYPICAL TWO-WAY RAMP CENTERLINE MARKING

PAVEMENT MARKING LINE DETAILS



TYPICAL MAINLINE MARKING PLAN

NOTE:

SIX INCH SOLID WHITE LINE SHALL BE USED TO DELINEATE PARKING SPACES IN REST AREAS, PARKING AREAS, WEIGH STATIONS AND BORDER STATIONS. QUANTITIES ARE INCLUDED IN SIX INCH WHITE LINE RAMP QUANTITIES.

NOT TO SCALE

PROJECT NAME:	STATEWIDE
PROJECT NUMBER:	IMG MARK(116)
FILE NAME: z16+084.dgn	PLOT DATE: 1/23/2017
PROJECT LEADER: C. LATHROP	DRAWN BY: P. DAY
DESIGNED BY: P. DAY	CHECKED BY: C. LATHROP
TYPICAL PAVEMENT MARKING SHEET 2	SHEET 4 OF 34