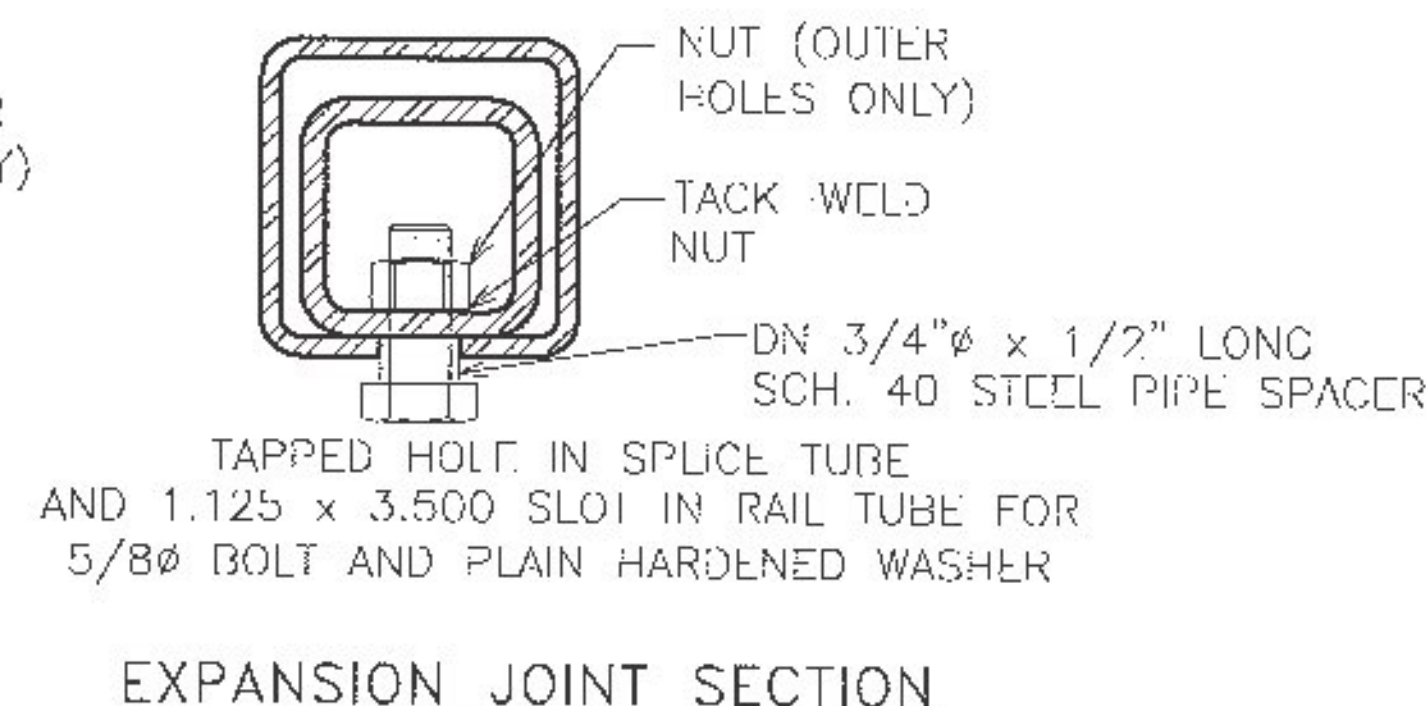
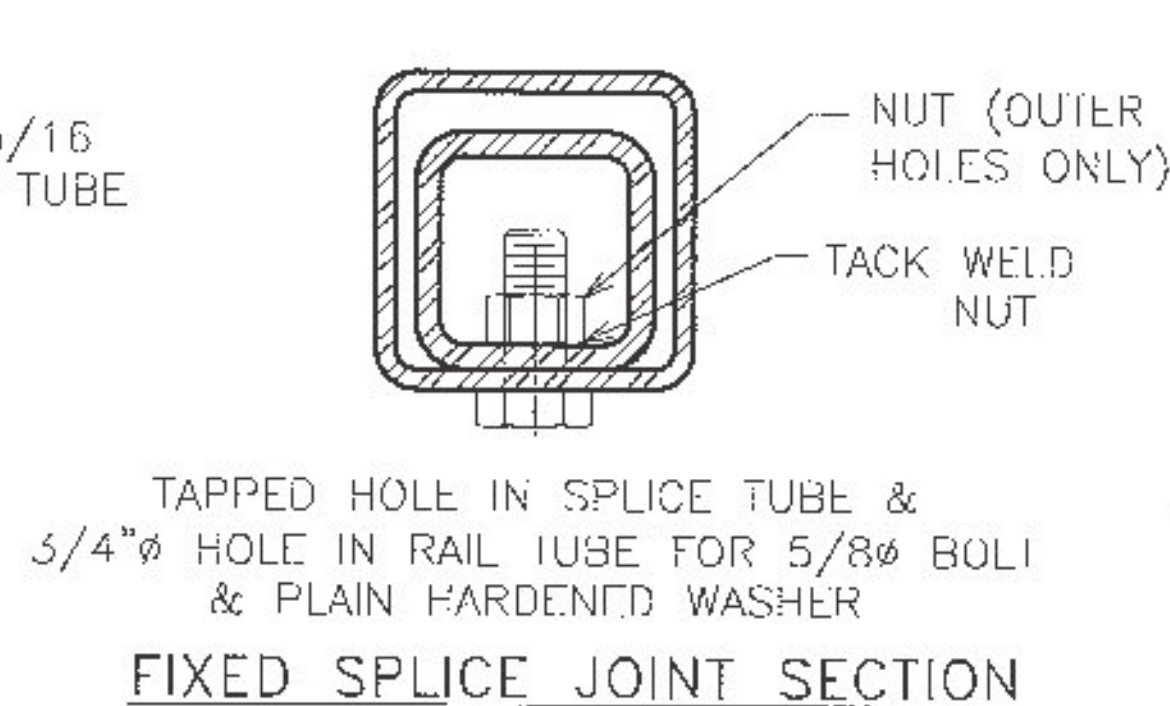
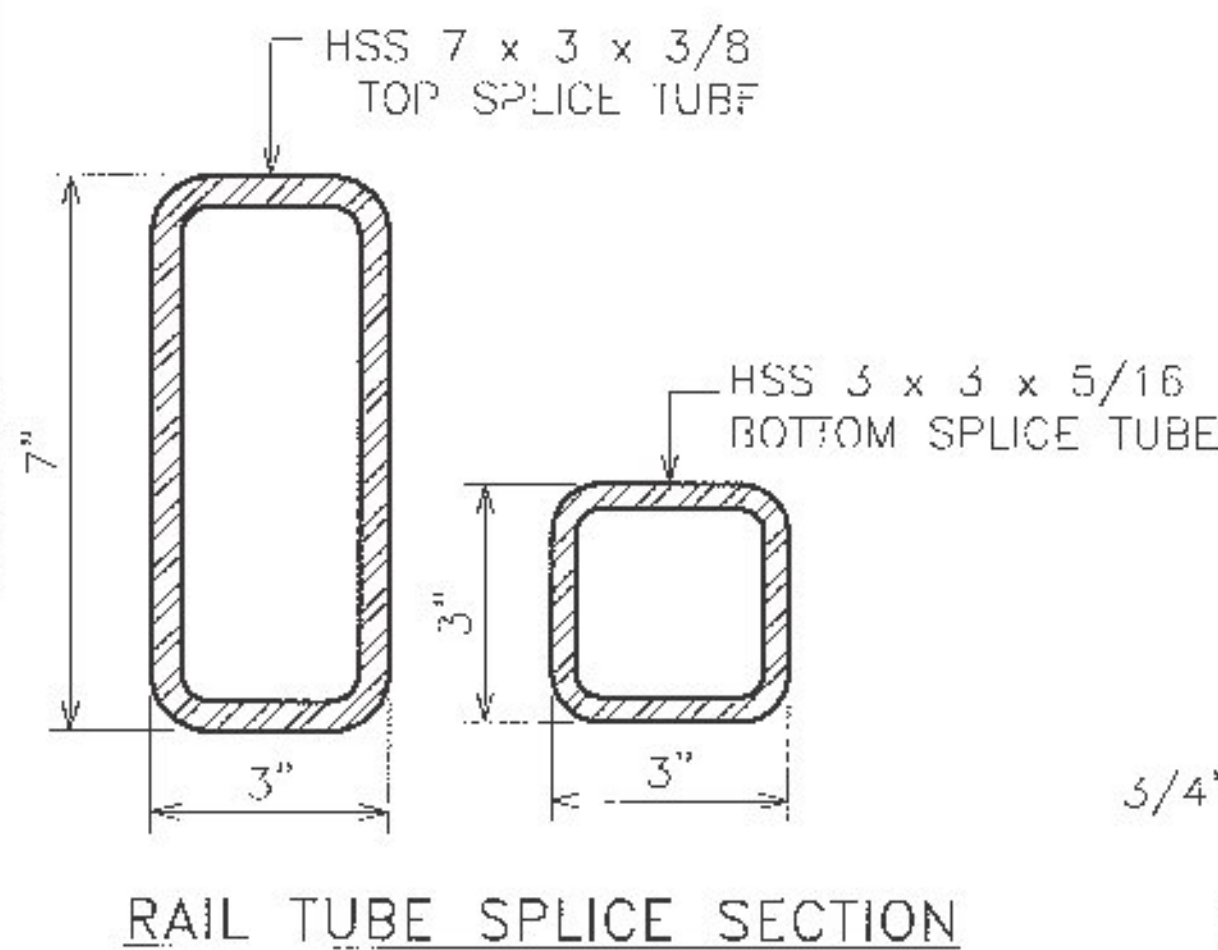
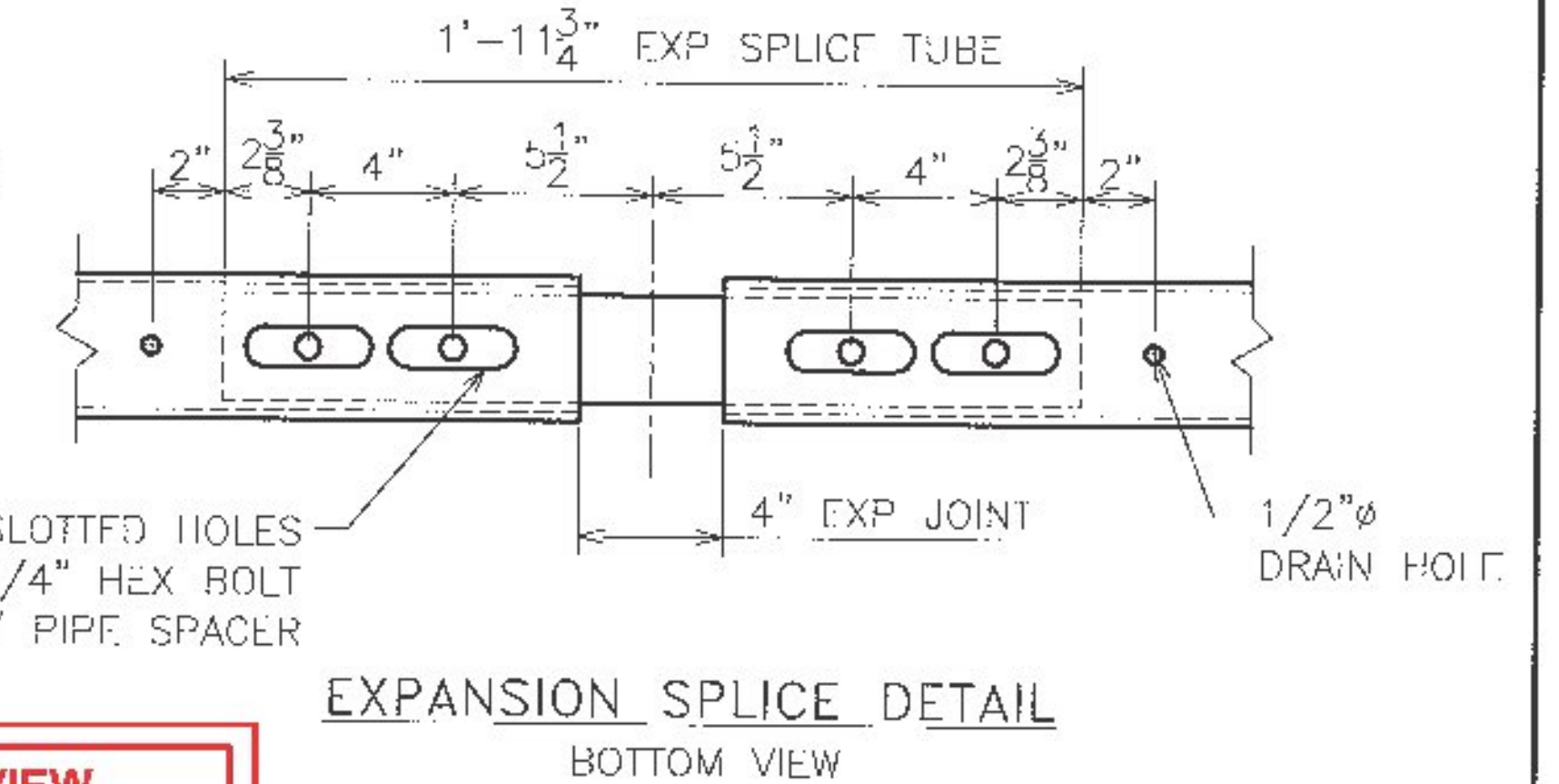
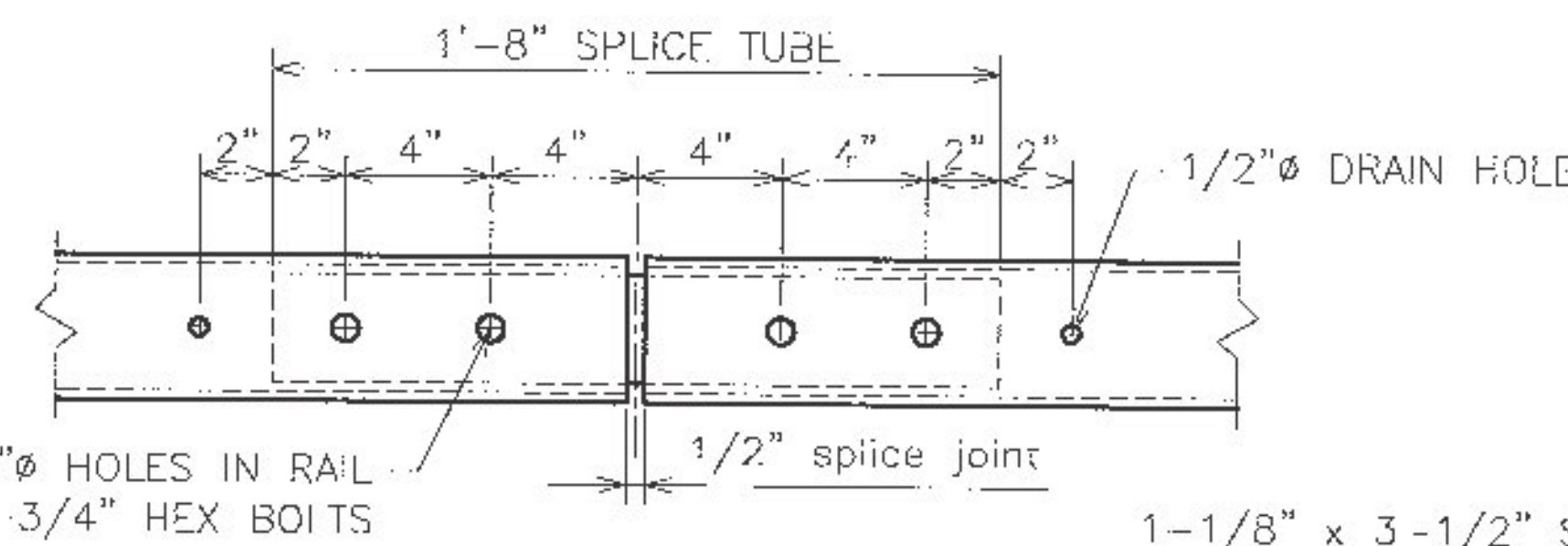
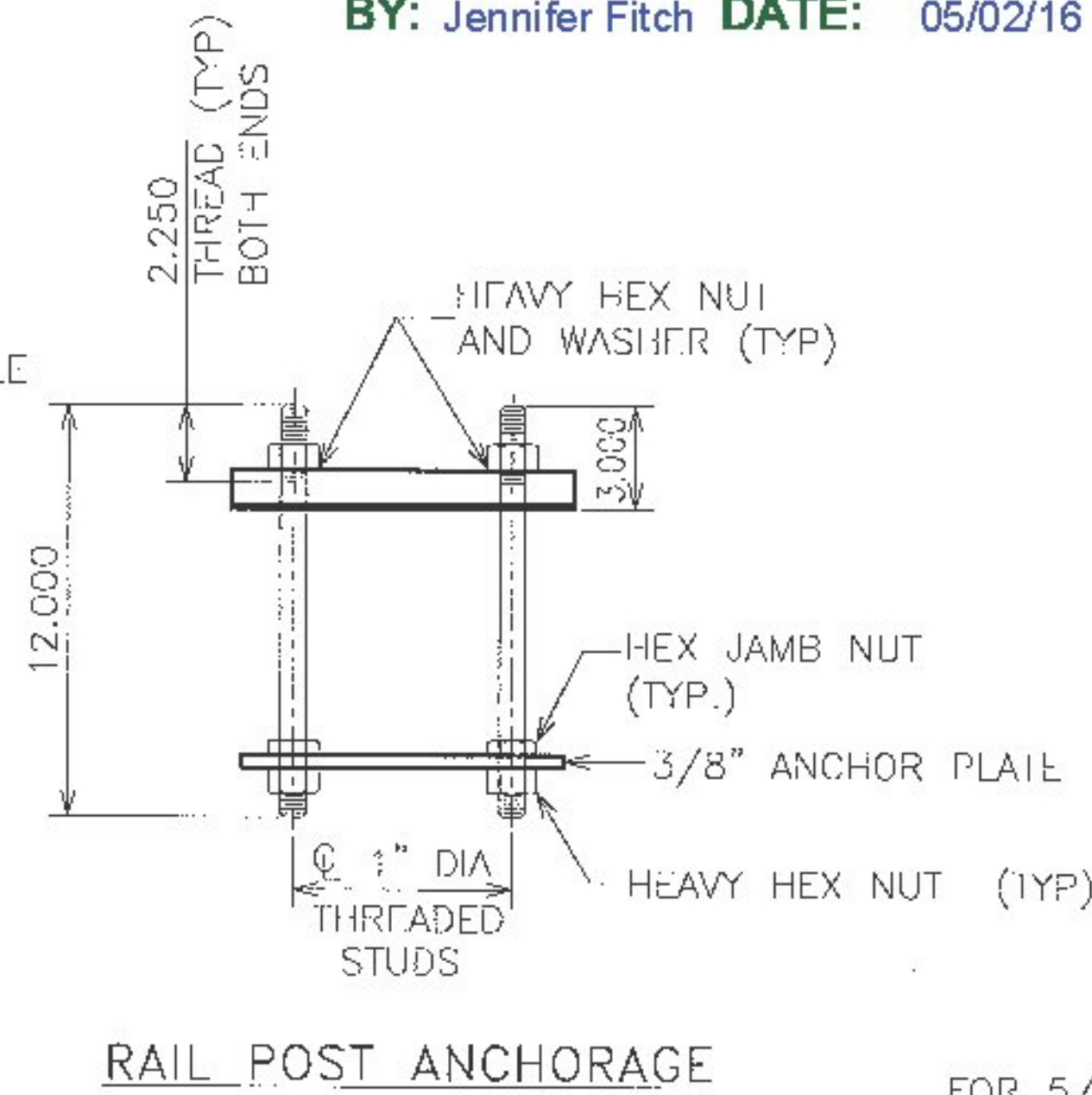
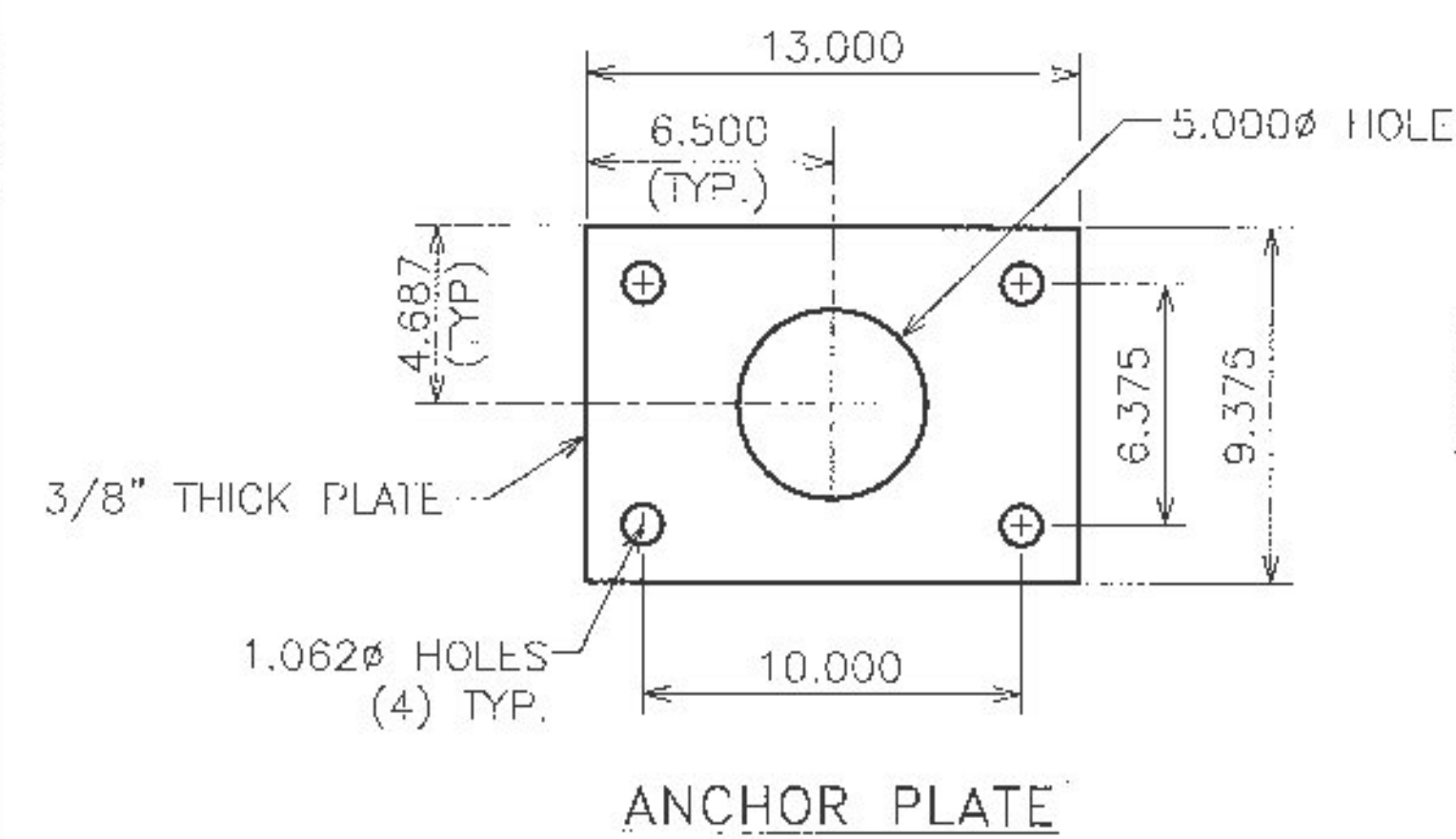
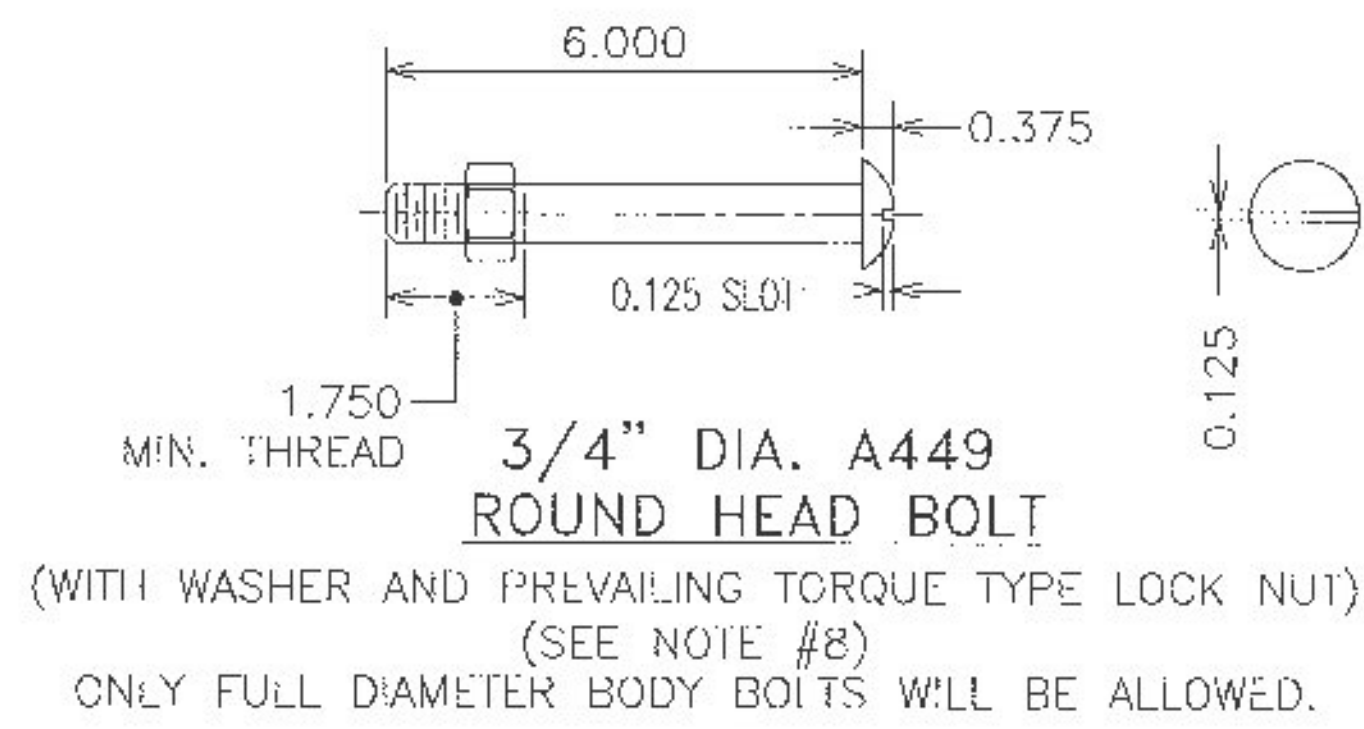


Vermont Agency of Transportation
RECEIVED
 ON: April 28, 2016
 and Checked for
CONFORMANCE
 BY: Jennifer Fitch DATE: 05/02/16



SHOP DRAWING REVIEW

REVIEWED AS REQUIRED BY THE CONSTRUCTION CONTRACT DOCUMENTS AND APPROVED. WILL ONLY BE FOR CONFORMANCE TO THE DESIGN CONCEPT OF THE WORK, AND SUBJECT TO FURTHER LIMITATIONS AND REQUIREMENTS CONTAINED IN THE CONSTRUCTION CONTRACT DOCUMENTS.

REVIEWED REVISE AND RESUBMIT APPROVED AS NOTED

CORRECTIONS OR COMMENTS MADE ON THE SHOP DRAWINGS DURING THIS REVIEW DO NOT RELIEVE CONTRACTOR FROM COMPLIANCE WITH REQUIREMENTS OF THE DRAWINGS AND SPECIFICATIONS. THIS CHECK IS ONLY FOR REVIEW OF GENERAL CONFORMANCE WITH THE DESIGN CONCEPT OF THE PROJECT AND GENERAL COMPLIANCE WITH THE INFORMATION GIVEN IN THE CONTRACT DOCUMENTS. THE CONTRACTOR IS RESPONSIBLE FOR CONFIRMING AND CORRELATING ALL QUANTITIES AND DIMENSIONS, SELECTING FABRICATION PROCESSES AND TECHNIQUES OF CONSTRUCTION, COORDINATING THEIR WORK WITH THAT OF ALL OTHER TRADES, AND PERFORMING THEIR WORK IN A SAFE AND SATISFACTORY MANNER.

Job Number: 150223
 Reviewed by: SRB
 Date: 04/29/2015

HIGHWAY SAFETY CORP
 GLASTONBURY, CT
 860-633-9445

ITEM 525.33 BRIDGE RAILING, GALVANIZED 2 RAIL BOX BEAM (S-360A)

TOWN OF IRASBURG, VERMONT
 INTERSTATE 91 (PRINCIPAL ARTERIAL) BRIDGE NO. 107 N
 ORLEANS COUNTY IM DECK (46)

GENERAL CONTRACTOR: LAFAYETTE

DATE: 04-27-16 SCALE: NONE SIZE: D

CERTIFIED FABRICATOR

2103

3 of 5