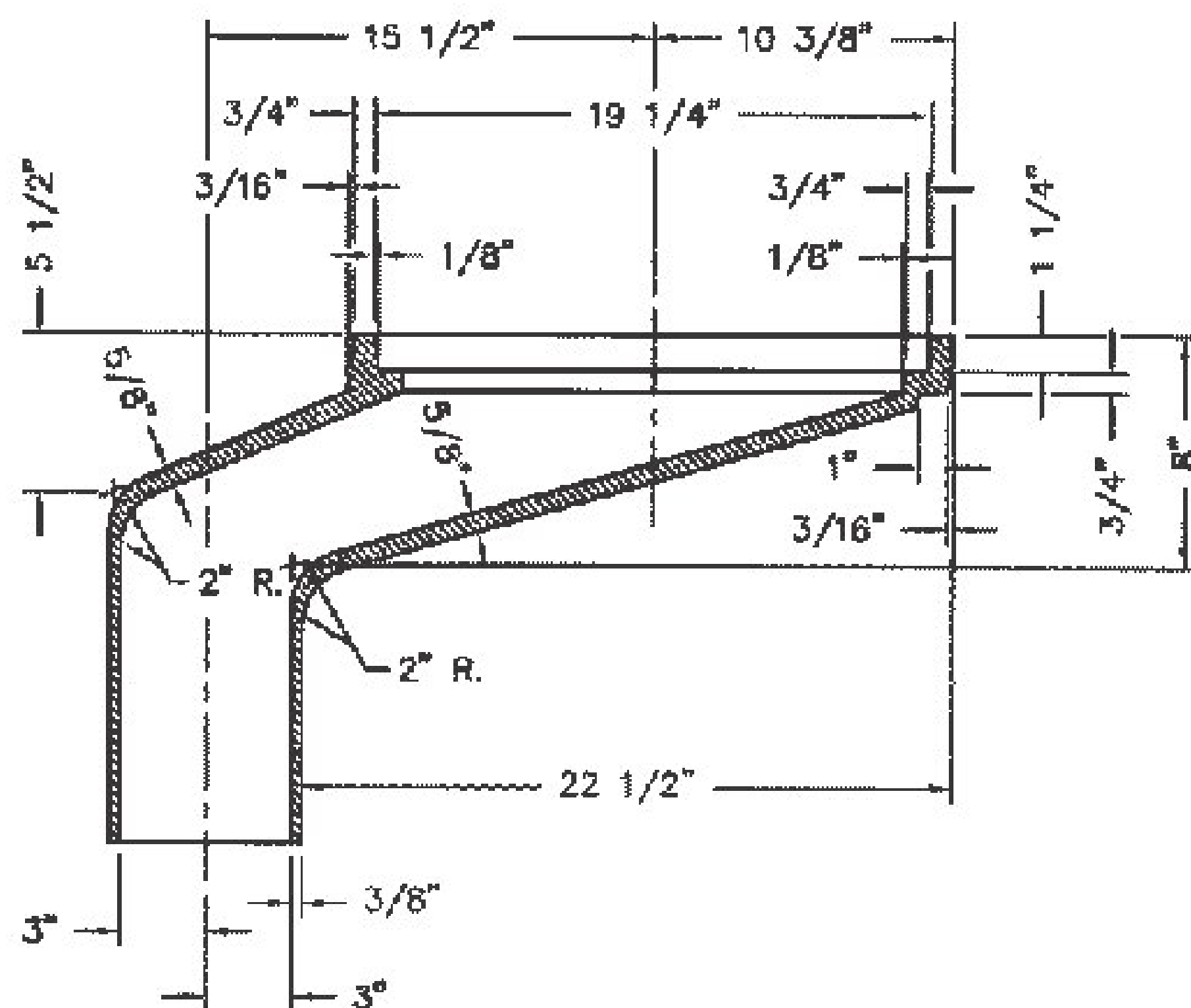
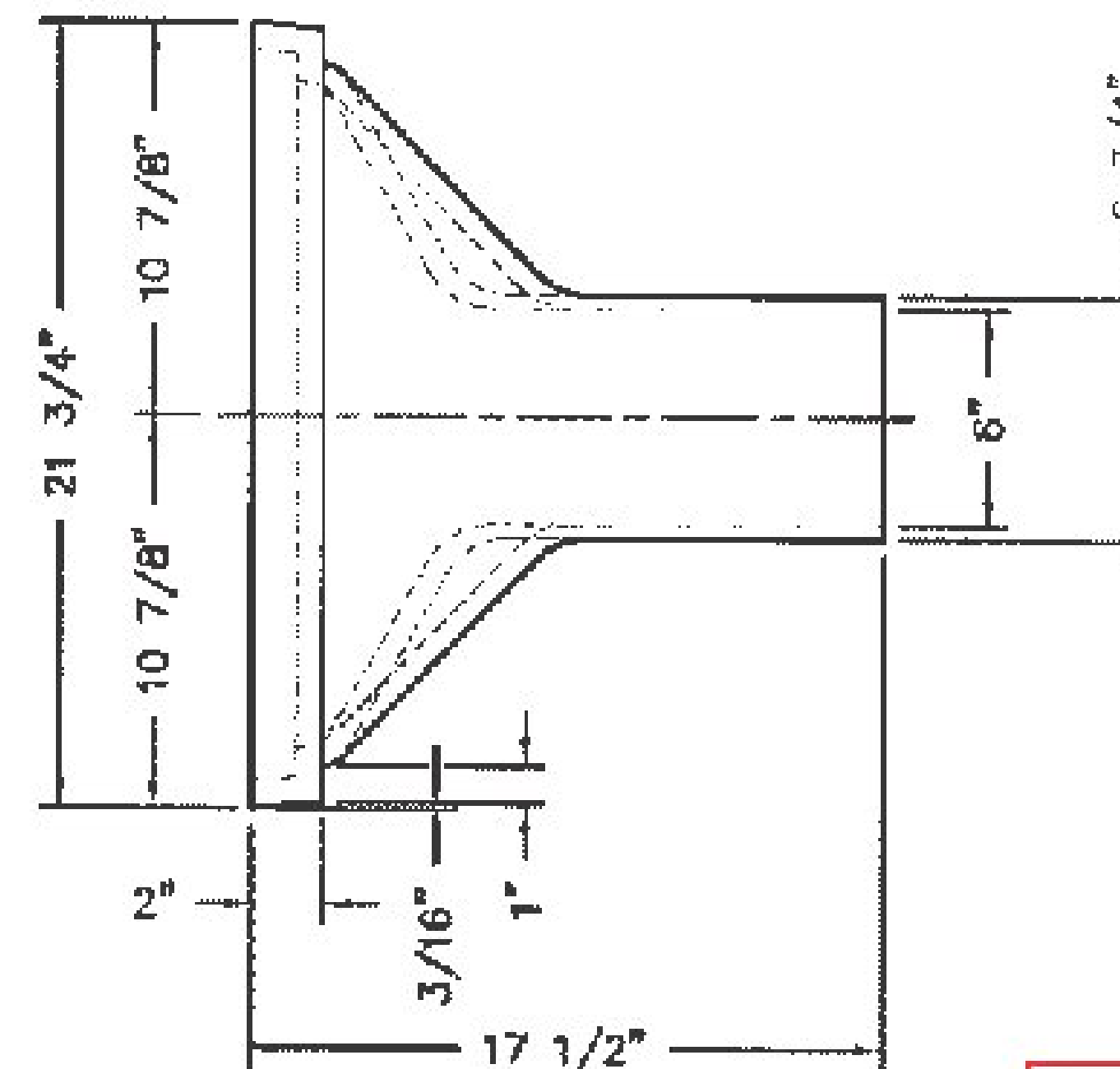
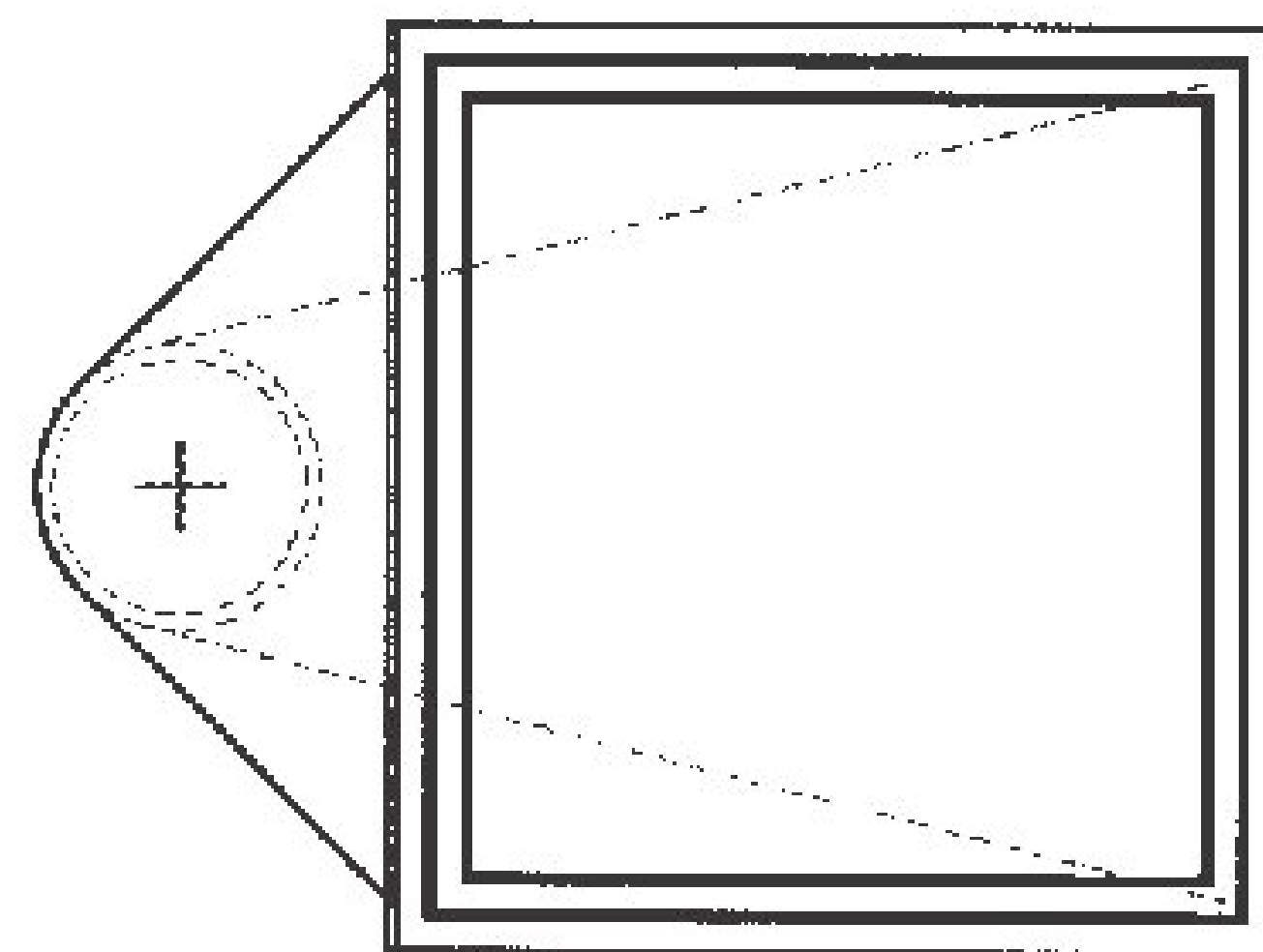


39360001 - 4 B8



Vermont Agency of Transportation

RECEIVED

ON: April 20, 2016

and Checked for

CONFORMANCE

BY: Jennifer Fitch DATE: 04/26/16

SHOP DRAWING REVIEW

REVIEWED AS REQUIRED BY THE CONSTRUCTION CONTRACT DOCUMENTS AND APPROVED, BUT ONLY FOR CONFORMANCE TO THE DESIGN CONCEPT OF THE WORK, AND SUBJECT TO FURTHER LIMITATIONS AND REQUIREMENTS CONTAINED IN THE CONSTRUCTION CONTRACT DOCUMENTS.

REJECTED REVISE AND RESUBMIT APPROVED AS NOTED

CORRECTIONS OR COMMENTS MADE ON THE SHOP DRAWINGS DURING THIS REVIEW DID NOT RELIEVE CONTRACTOR FROM COMPLIANCE WITH REQUIREMENTS OF THE DRAWINGS AND SPECIFICATIONS. THIS CHECK IS ONLY FOR REVIEW OF GENERAL COMPLIANCE WITH THE DESIGN CONCEPT OF THE PROJECT AND GENERAL COMPLIANCE WITH THE INFORMATION GIVEN IN THE CONTRACT DOCUMENTS. THE CONTRACTOR IS RESPONSIBLE FOR: CONFIRMING AND CORRELATING ALL QUANTITIES AND DIMENSIONS; SELECTING FABRICATION PROCESSES AND TECHNIQUES OF CONSTRUCTION; COORDINATING THEIR WORK WITH THAT OF ALL OTHER TRADES; AND PERFORMING THEIR WORK IN A SAFE AND SATISFACTORY MANNER.

<small>CLD Consulting Engineers 590 Commercial Street Manchester, NH 03101 603-888-8223</small>	Job Number: 150229
	Reviewed by: SRB
	Date: 04/26/2016

MATERIAL: CAST GRAY IRON ASTM A-48, CLASS 35B

FINISH: NO PAINT

WEIGHT: 250#

DR. E. REMME	SCALE	TITLE	
CH.	1/8"=1"	R-3936-A SCUPPER	
APP.	DBM CHK.	NEENAH FOUNDRY COMPANY NF- 39360001 B	
DATE 05/10/90			

<small>11-00-0000</small>	<small>REVIEWED AND MATCH DIMENSIONS SPEC-0 3/4"</small>	<small>DBM</small>
<small>08-11-0000</small>	<small>REVIEWED SPEC Q.D. FROM 0 1/2</small>	<small>ELR</small>
<small>08-24-0000</small>	<small>REVIEWED SPEC Q.D. FROM 0 3/4</small>	<small>ELR</small>
<small>DATE</small>	<small>REVISION</small>	<small>BY</small>