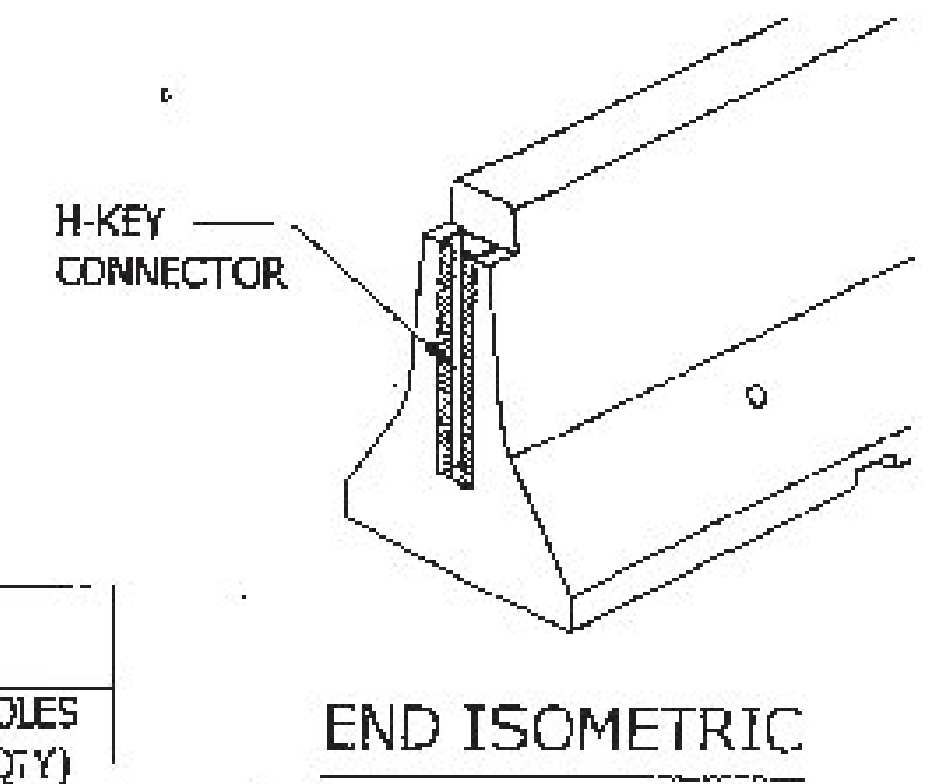
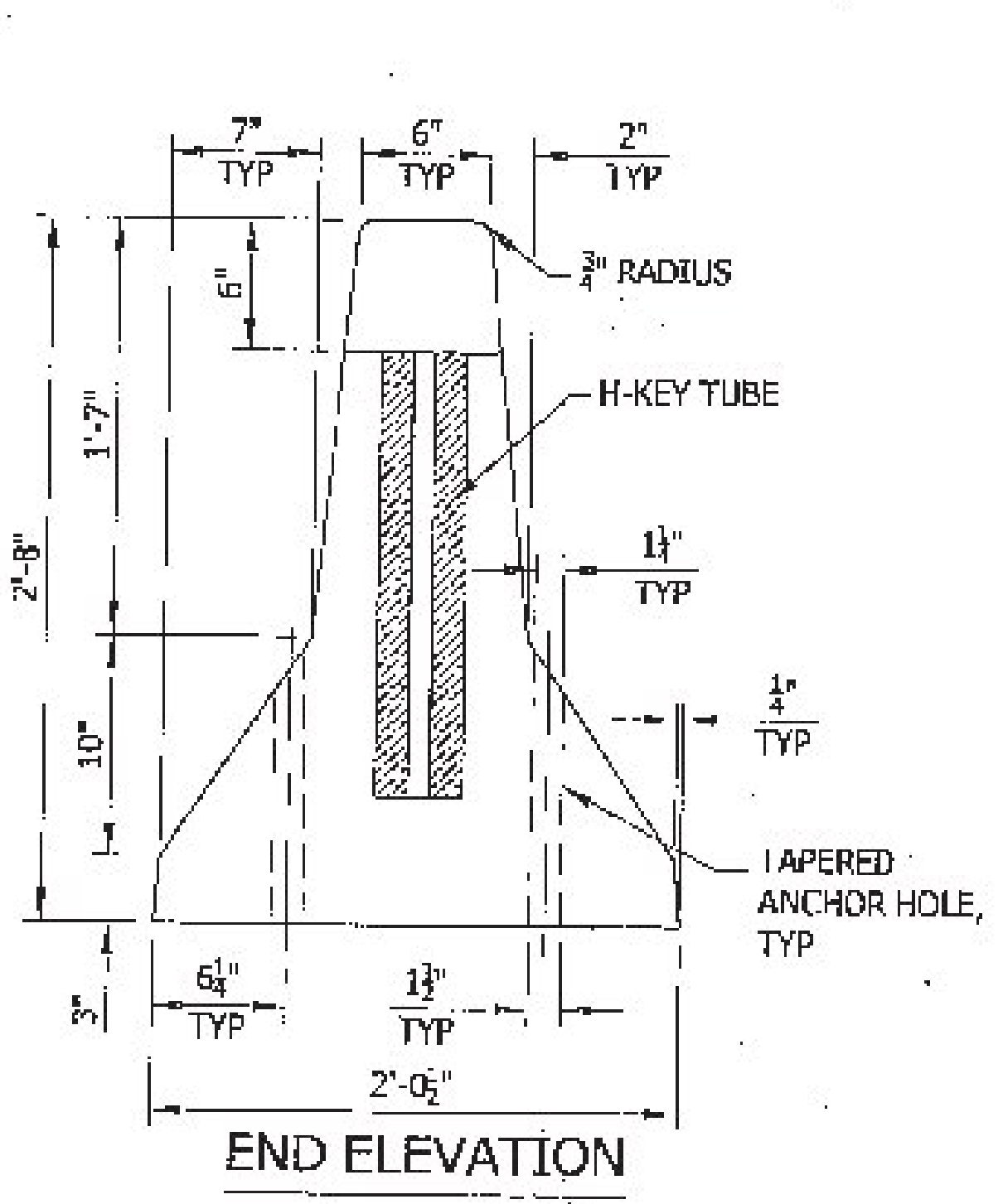
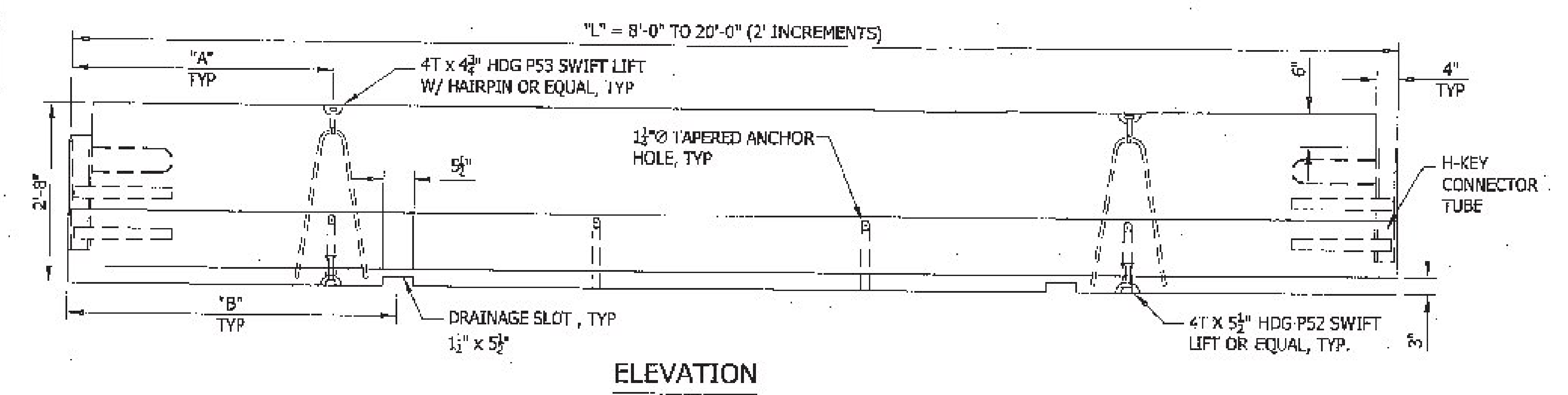
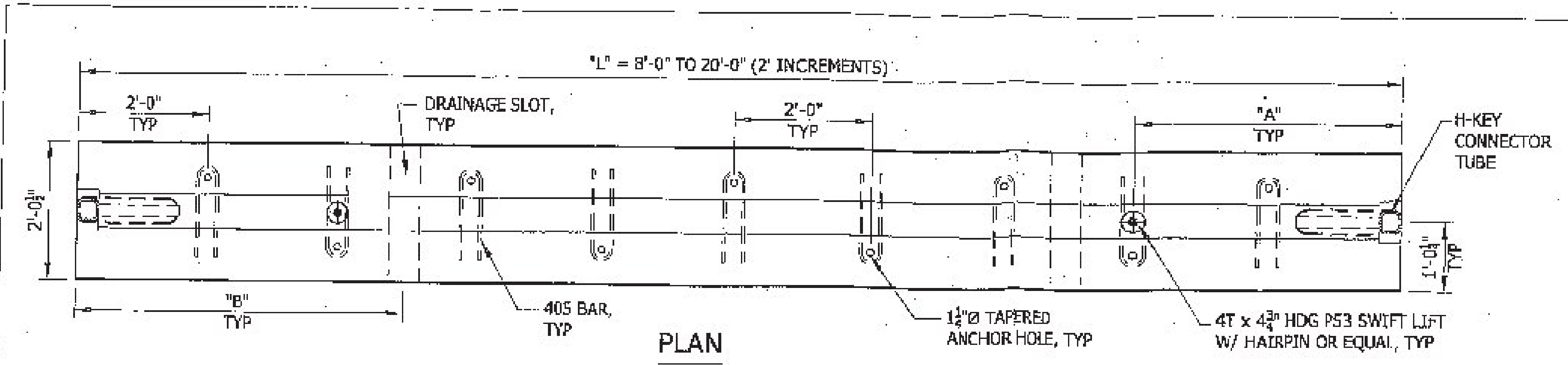


300.36  
ISSUED 1/10/12



**TABLE**

MK#	LENGTH (FT)	VOLUME (C.Y.)	WEIGHT (TONS)	LIFTING "A"	SLOT "B"	HOLES (QTY)
H8	8'-0"	0.80	1.61	2'-0"	5'-0" *	3
H10	10'-0"	0.99	2.01	2'-0"	5'-0" *	4
H12	12'-0"	1.19	2.42	2'-0"	3'-0"	5
H14	14'-0"	1.39	2.82	4'-0"	5'-0"	6
H16	16'-0"	1.59	3.22	4'-0"	5'-0"	7
H18	18'-0"	1.79	3.62	4'-0"	5'-0"	8
H20	20'-0"	1.99	4.03	4'-0"	5'-0"	9

\* 8'-0" & 10'-0" UNITS HAVE ONLY (1) DRAINAGE SLOT. SLOT IN 8'-0" UNIT IS 5'-0" IN FROM ONE END & 3'-0" IN FROM THE OTHER.

**NOTES:**

- ALL MATERIAL SHALL CONFORM TO SECTION 704-05, PRECAST CONCRETE BARRIER, OF THE NYS DOT STANDARD SPECIFICATIONS AND THE FORT MILLER CO., INC. QUALITY CONTROL PLAN FOR MANUFACTURING PRECAST CONCRETE.
- REINFORCING BARS SHALL BE ASTM A615, GRADE 60.
- CONCRETE TO BE 3,000 PSI @ 28 DAYS.
- AIR CONTENT SHALL BE 5.0 - 9.0%.
- MINIMUM STRIPPING STRENGTH: 2,000 PSI.
- POSITION OF REINFORCEMENT TO BE MAINTAINED WITH THERMOPLASTIC CHAIRS OR PLASTIC TIPPED SLAB BOLSTERS.
- CURING WITH MEMBRANE CURING COMPOUND SHALL CONFORM TO NYS DOT SPECIFICATION 704-D3.
- ALL H-KEY & TUBE DETAILS, MATERIALS AND WELDING REQUIREMENTS SHALL CONFORM TO NYS DOT STANDARD SHEET 619-01.
- CONCRETE CLEAR COVER FOR REINFORCING BARS SHALL BE 1 1/2", UNLESS OTHERWISE SPECIFIED.

**DIMENSIONAL TOLERANCES:**

- H-KEY CONNECTOR LOCATION:  $\pm 1/4"$
- CROSS-SECTIONAL DIMENSIONS:  $\pm 1/4"$
- PLUMBNESS:  $\pm 1/4"$
- LONGITUDINAL DIMENSIONS (LAY LENGTH):  $\pm 1/4"$  PER 10'-0"
- WHEN CHECKED WITH A 10'-0" STRAIGHT EDGE, IRREGULARITIES SHALL NOT EXCEED  $\pm 1/4"$
- REINFORCING COVER: 1 1/2" (-1/4", +3/8")
- REINFORCING SPACING:  $\pm 2"$  NON-CUMULATIVE

**TESTING/INSPECTION:**

FMC QCP/NYS DOT

**UNIT MARKING:**

EACH UNIT SHALL BE PERMANENTLY MARKED WITH THE FOLLOWING:

FMC MMYY

EACH UNIT SHALL ALSO BE LABELED OR PAINTED WITH THE FOLLOWING INFORMATION FOR FIELD INSPECTION PURPOSES:

FMC  
D.O.M.  
MK#/PIECE I.D.  
NYS DOT

**NYS DOT**  
 Approved  
 Approved As Noted  
ORIGINAL SIGNED BY:  
J. P. REIDY  
By \_\_\_\_\_ Date \_\_\_\_\_  
For: Director Materials Bureau  
Drawing Verified In English Units Only

NO	DATE	BY	REVISIONS

THE FORT MILLER Co., Inc.  
P.O. BOX 98  
SCHUCLERVILLE, NY 12871  
(518) 695-8000/(518) 695-4970 FAX  
www.fortmiller.com

F.M. JOB NO. NA  
SHEET NO. 1 OF 2  
DATE: 12-19-11  
CONTRACT NO.: \_\_\_\_\_  
PROJECT: \_\_\_\_\_  
LOCATION: \_\_\_\_\_  
SUBJECT: H-KEY TEMPORARY BARRIER 8' TO 20'  
CONTRACTOR: \_\_\_\_\_  
ENGINEER/ARCHITECT: NYS DOT

DRN. BY: TDS  
CHK. BY: SDH  
SCALE: NONE  
CWS. NO.: \_\_\_\_\_  
TB5-1