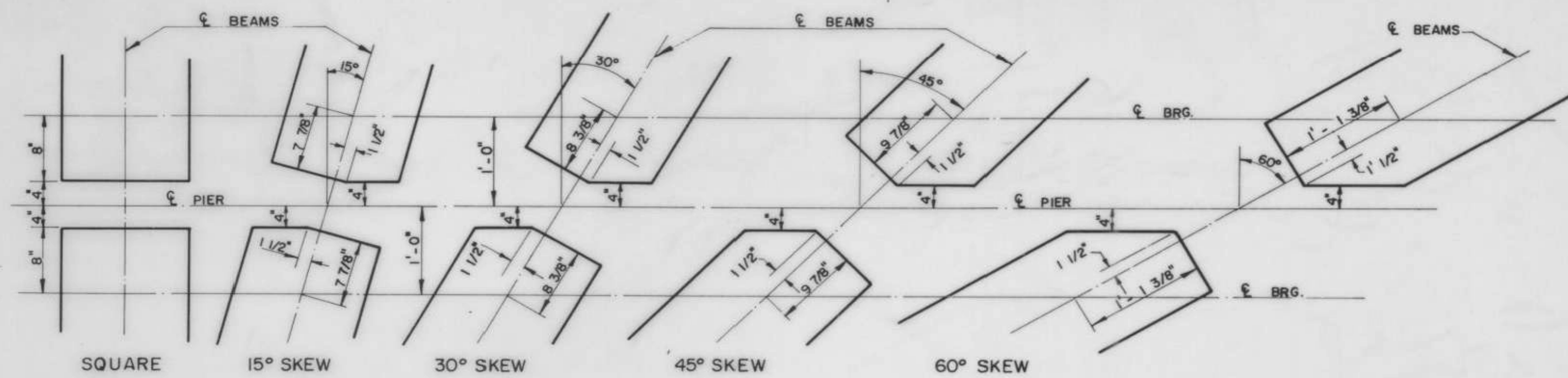


DETAILS OF PIER DIAPHRAGM CONNECTIONS



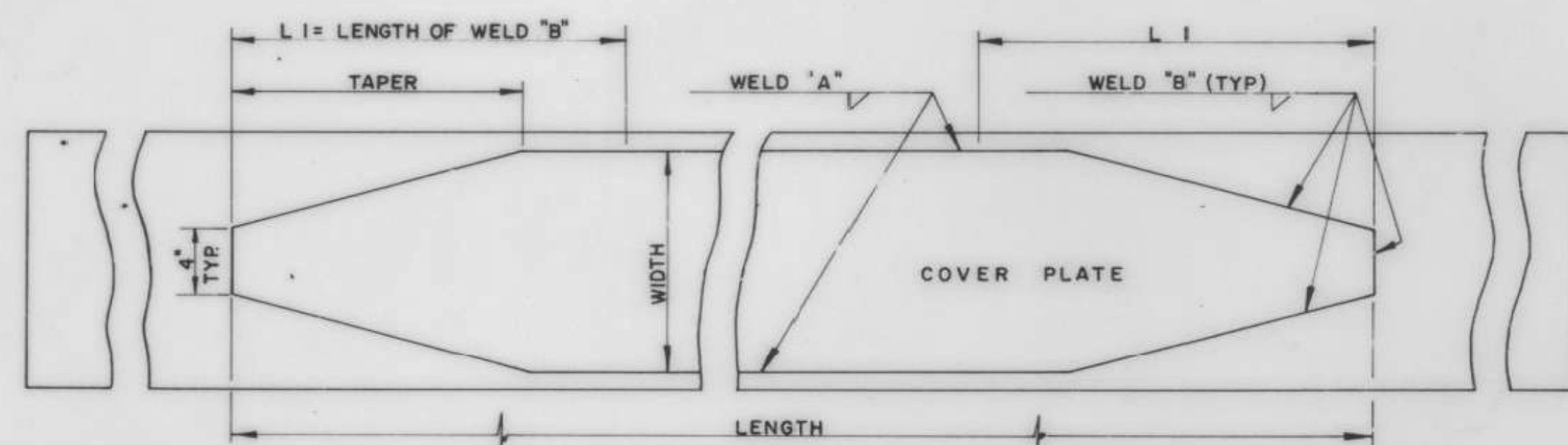
INTERIOR WF BEAM CUT-OFFS AT PIER

7'-6" BEAM SPACING - S.C.B. - 24-67

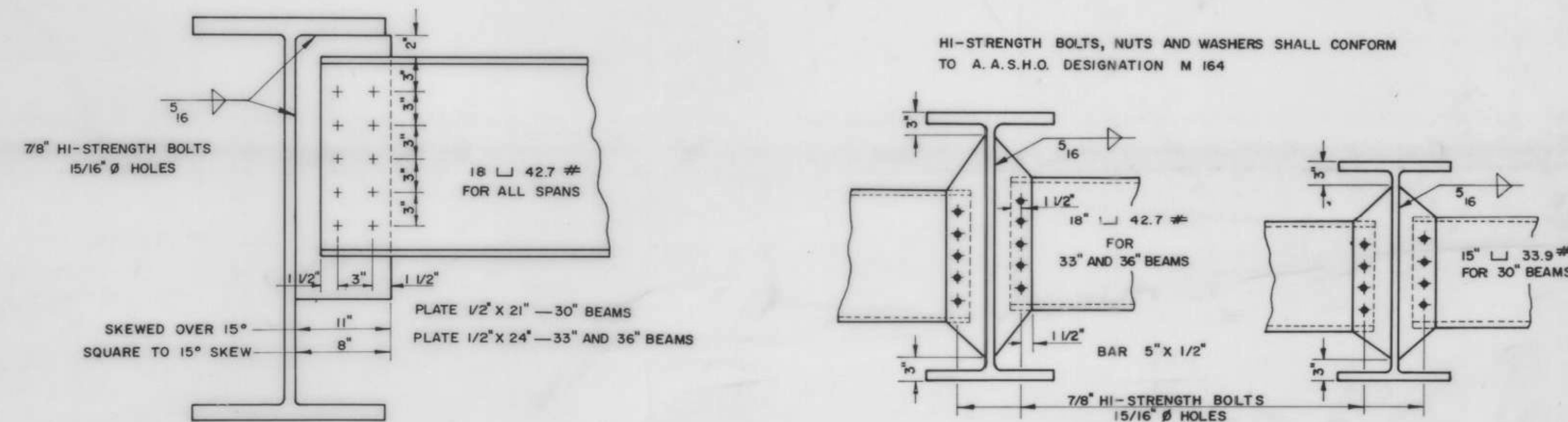
SPAN	COVER PLATE LENGTH	WIDTH	THICKNESS	TAPER	WELD "A"	WELD "B"	L I
99'-0"	64'-10"	15"	2 1/4"	1'-10"	3/8"	5/8"	2'-5"
94'-0"	62'-2"	15"	2"	1'-10"	3/8"	5/8"	2'-1"
89'-0"	56'-6"	15"	1 5/8"	1'-10"	3/8"	1/2"	2'-3"
84'-0"	57'-4"	11"	1 3/4"	1'-4"	3/8"	1/2"	1'-8"
79'-0"	50'-9"	11"	1 3/8"	1'-4"	5/16"	1/2"	1'-4"
74'-0"	48'-9"	11"	1 1/4"	1'-4"	5/16"	1/2"	1'-4"
69'-0"	43'-0"	11"	1"	1'-4"	5/16"	3/8"	1'-6"
64'-0"	40'-9"	11"	3/4"	1'-4"	5/16"	5/16"	---
59'-0"	30'-9"	11"	1/2"	1'-4"	5/16"	5/16"	---
54'-0"	18'-9"	11"	1/2"	1'-4"	5/16"	5/16"	---

7'-4" BEAM SPACING S.C.B. - 30, 38, 44-67

COVER PLATE LENGTH	WIDTH	THICKNESS	TAPER	WELD "A"	WELD "B"	L I
60'-0"	15"	2 1/4"	1'-10"	3/8"	5/8"	2'-5"
60'-2"	15"	2"	1'-10"	3/8"	5/8"	2'-1"
54'-6"	15"	1 1/2"	1'-10"	5/16"	1/2"	2'-3"
55'-4"	11"	1 5/8"	1'-4"	3/8"	1/2"	1'-8"
48'-9"	11"	1 1/8"	1'-4"	5/16"	1/2"	1'-4"
46'-9"	11"	1"	1'-4"	5/16"	1/2"	1'-4"
45'-0"	11"	1"	1'-4"	5/16"	3/8"	1'-6"
38'-9"	11"	3/4"	1'-4"	5/16"	5/16"	---
28'-9"	11"	1/2"	1'-4"	5/16"	5/16"	---
14'-9"	11"	1/2"	1'-4"	5/16"	5/16"	---

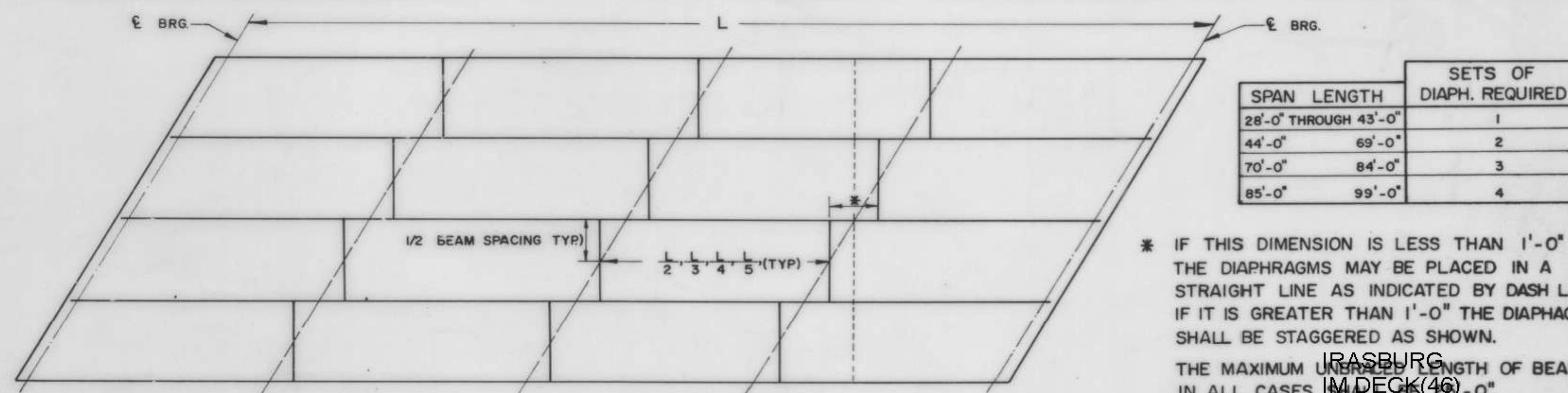


COVER PLATE DETAILS



PIER DIAPHRAGMS

INTERMEDIATE DIAPHRAGMS



DIAPHRAGM LOCATION PLAN

* IF THIS DIMENSION IS LESS THAN 1'-0" THE DIAPHRAGMS MAY BE PLACED IN A STRAIGHT LINE AS INDICATED BY DASH LINE. IF IT IS GREATER THAN 1'-0" THE DIAPHRAGMS SHALL BE STAGGERED AS SHOWN.
THE MAXIMUM UNBOLTED LENGTH OF BEAM IN ALL CASES SHALL NOT EXCEED 10'-0".

REVISIONS AND CORRECTIONS

DRAWN BY: A. V. DEC. 1962
 RETRACED BY: A. J. A. MAY 1967
 CHECKED BY: W. SMITH DEC. 1967
 RECOMMENDED FOR APPROVAL: [Signature] BRIDGE ENGINEER
 RECOMMENDED FOR APPROVAL: [Signature] CONSTRUCTION ENGINEER
 RECOMMENDED FOR APPROVAL: [Signature] ASST. CHIEF ENGINEER
 APPROVED BY: [Signature] CHIEF ENGINEER DATE: 1/24/68

DETAILS OF WF BEAM BRIDGES
 STRUCTURAL STEEL DETAILS
 (A) (D) (E) DIAPHRAGM DETAILS
 (B) WF BEAM CUT-OFFS
 (C) COVER PLATE DETAILS

VERMONT
 DEPARTMENT OF HIGHWAYS
 STRUCTURE STANDARDS

SCB-D7-67

254A