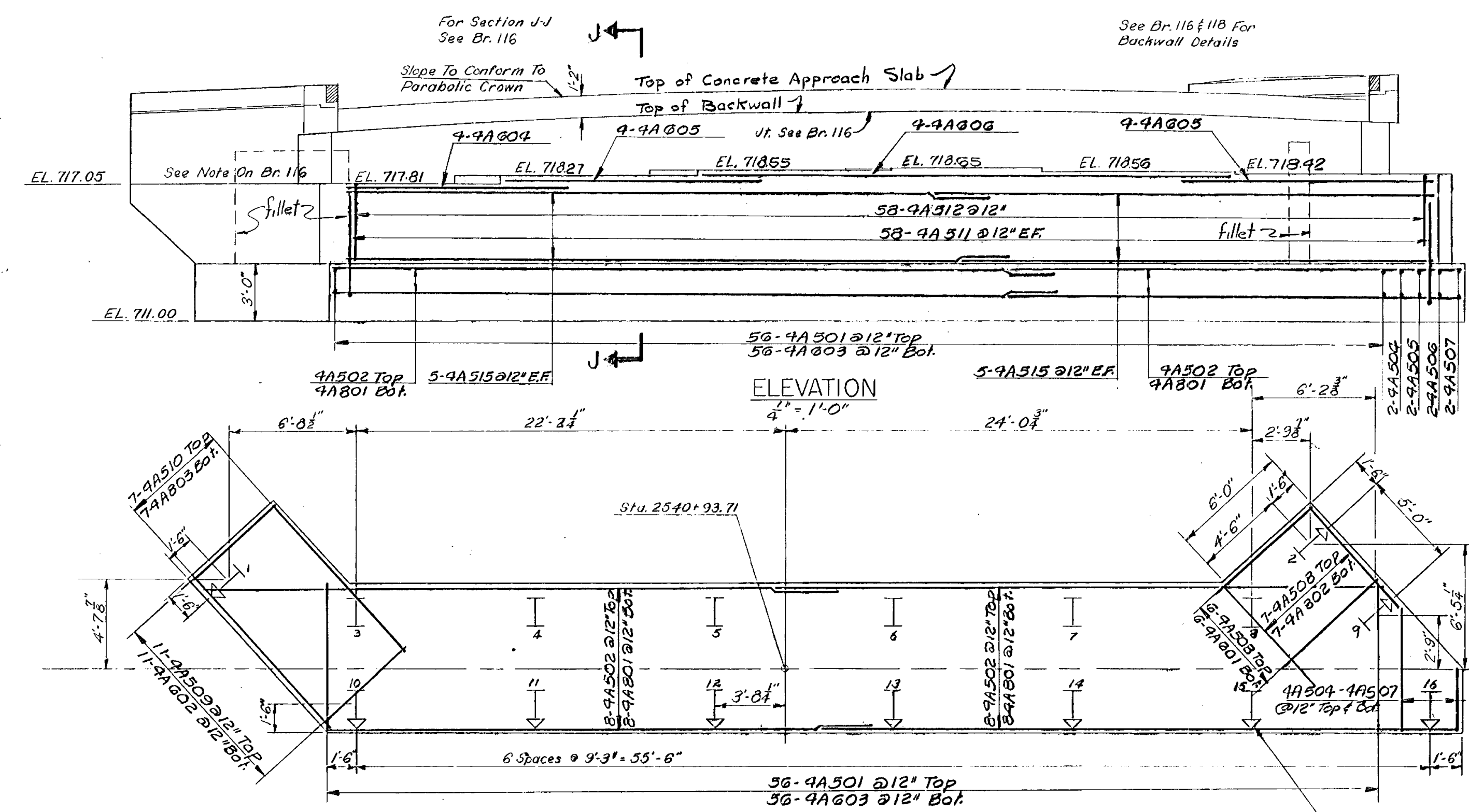
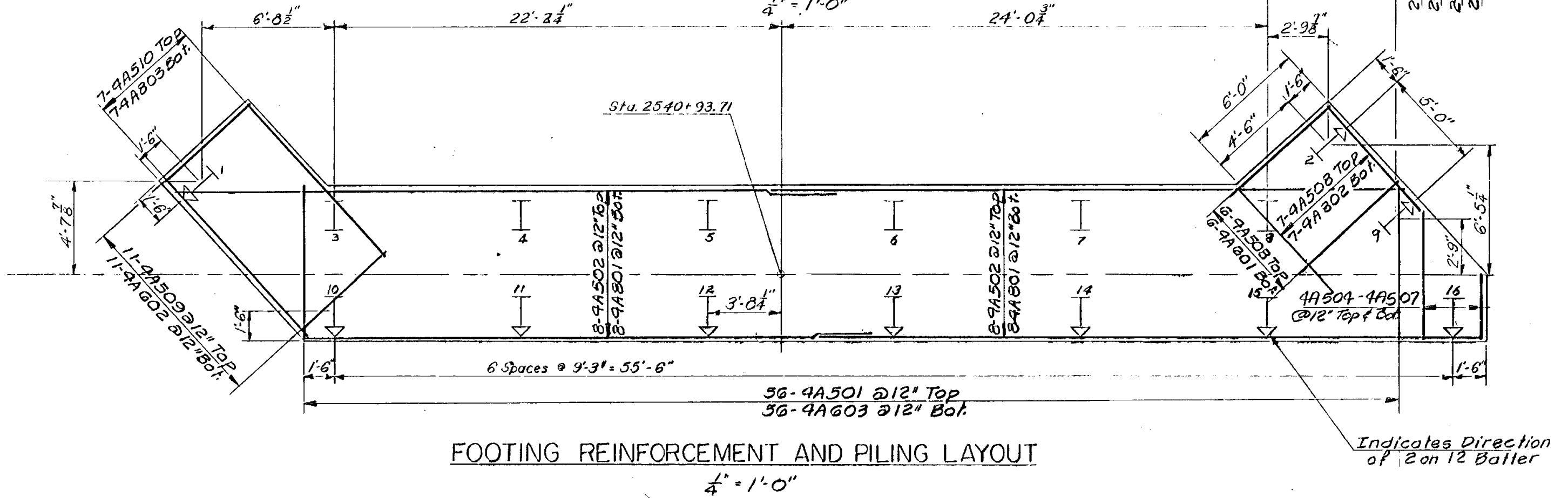


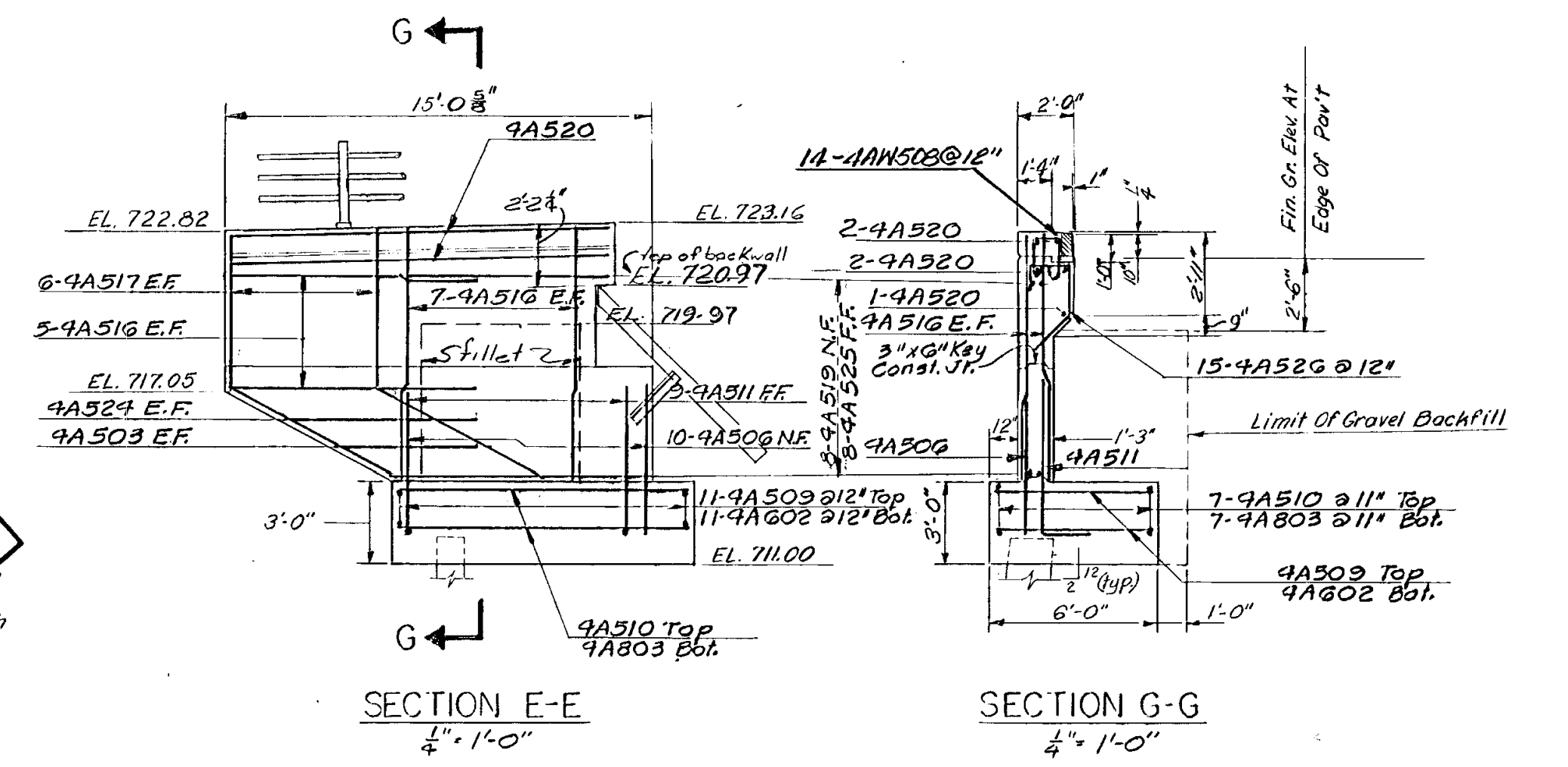
PLAN
1/4" = 1'-0"



ELEVATION
1/4" = 1'-0"

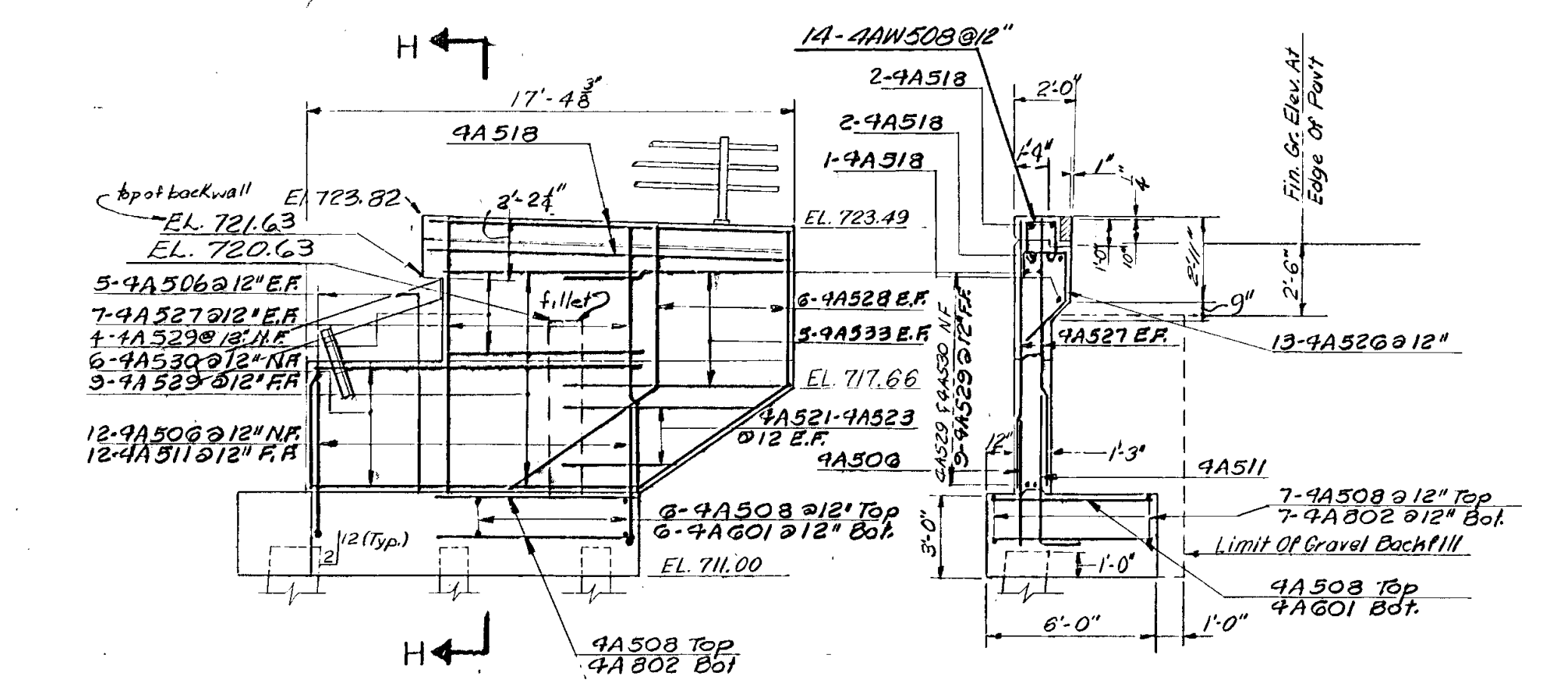


FOOTING REINFORCEMENT AND PILING LAYOUT
1/4" = 1'-0"



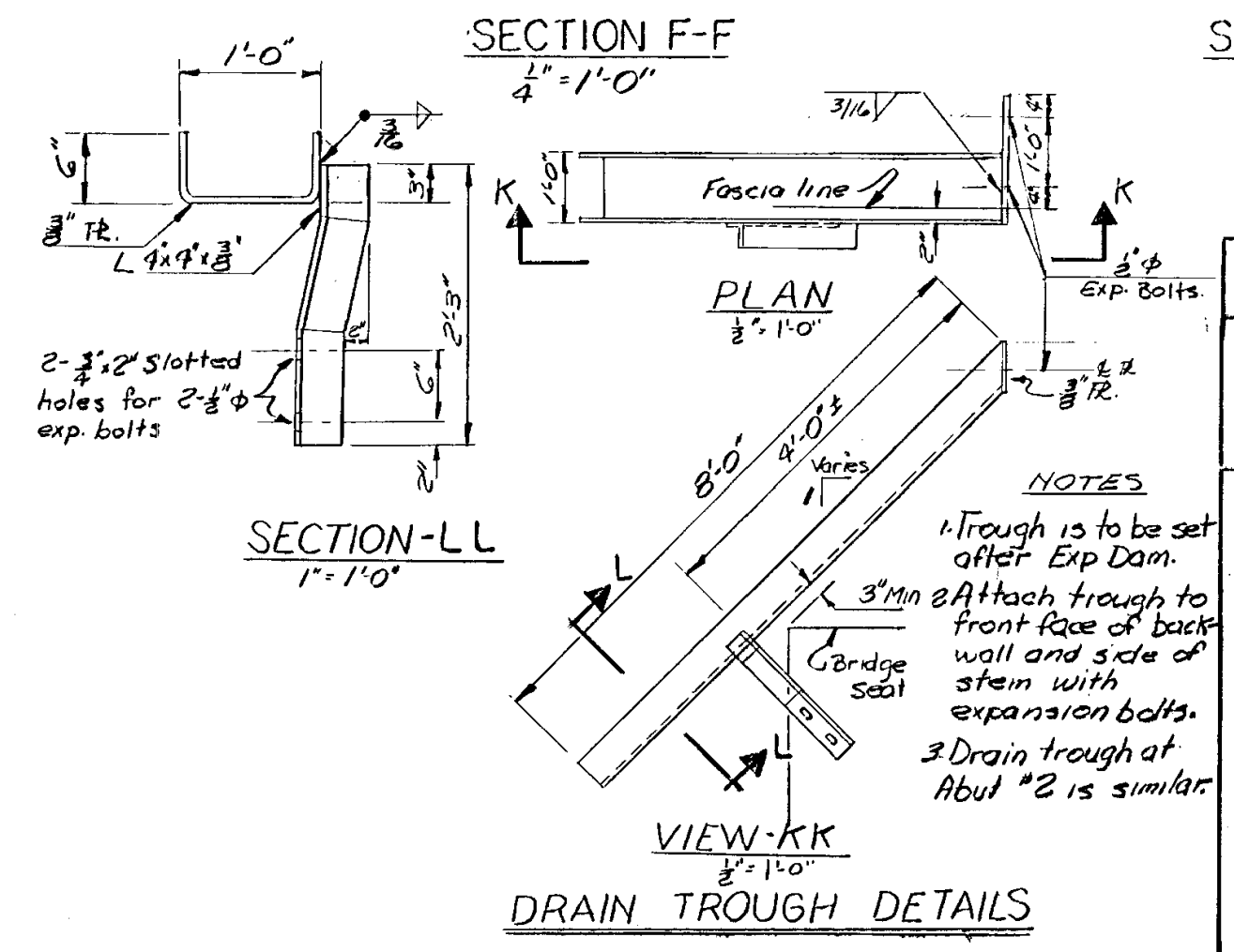
SECTION E-E
1/4" = 1'-0"

SECTION G-G
1/4" = 1'-0"



SECTION F-F
1/4" = 1'-0"

SECTION H-H
1/4" = 1'-0"



SECTION-L-L
1" = 1'-0"

VIEW-KK
3/4" = 1'-0"
DRAIN TROUGH DETAILS

1 Same changes as on BR 113 - R 78 to 3/69 added detail of drain trough - 5/18	
STATE OF VERMONT DEPARTMENT OF HIGHWAYS	
PROJECT	IRASBURG IRASBURG-DERBY
TOWN OF	IRASBURG
ROUTE No.	191 STA. 2539 ±
	91 OVER BARTON RIVER AND SA#3
	ABUTMENT #4
SCALE	AS SHOWN
IN CHARGE	C. TERENZIO
DRAWN BY	D.L. CHECKED BY A. CENTORE
PROJECT No.	191-3(8) 2-67
SHEET	184 OF 605 BR 115

IRASBURG
IM DECK(46)
BRIDGE NO. 107N
SHEET 41 OF 49
FOR REFERENCE ONLY