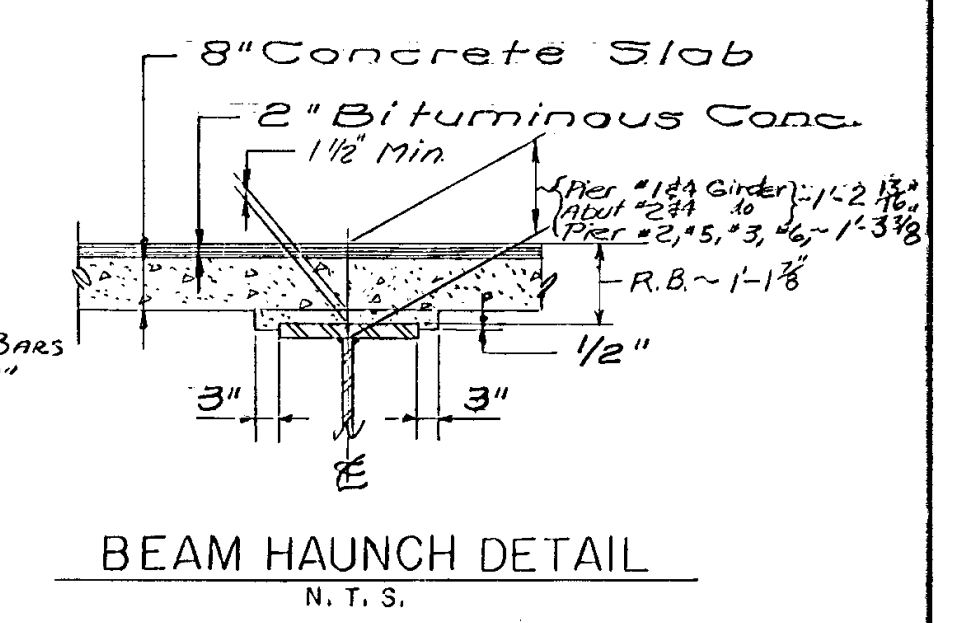


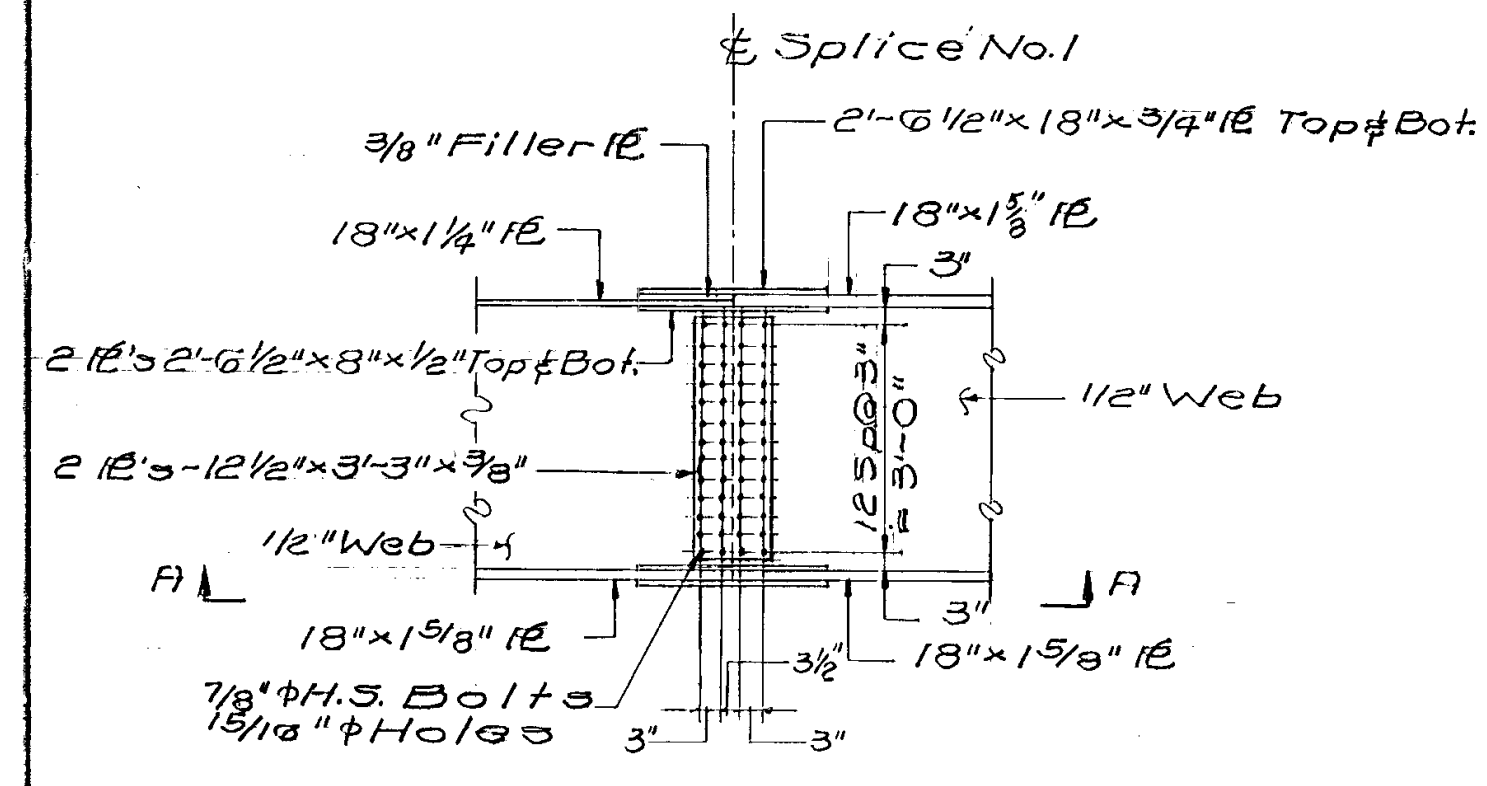
Floor Slab to be concrete, class AA, 8" thick, dapped as shown at Beam Haunch, surface to be finished with a self-propelled concrete finishing machine.
 Parabolic crown, as per detail, to be obtained by stepping bridge seats. Cut S501 Transverse Bars at skew end and use cut off on opposite end.

Note: Water-Repellent, Item 490 Shall Be Used on Top of Safety-Walk And on The Fascia And Back To The Fascia Beam Under The Slab.

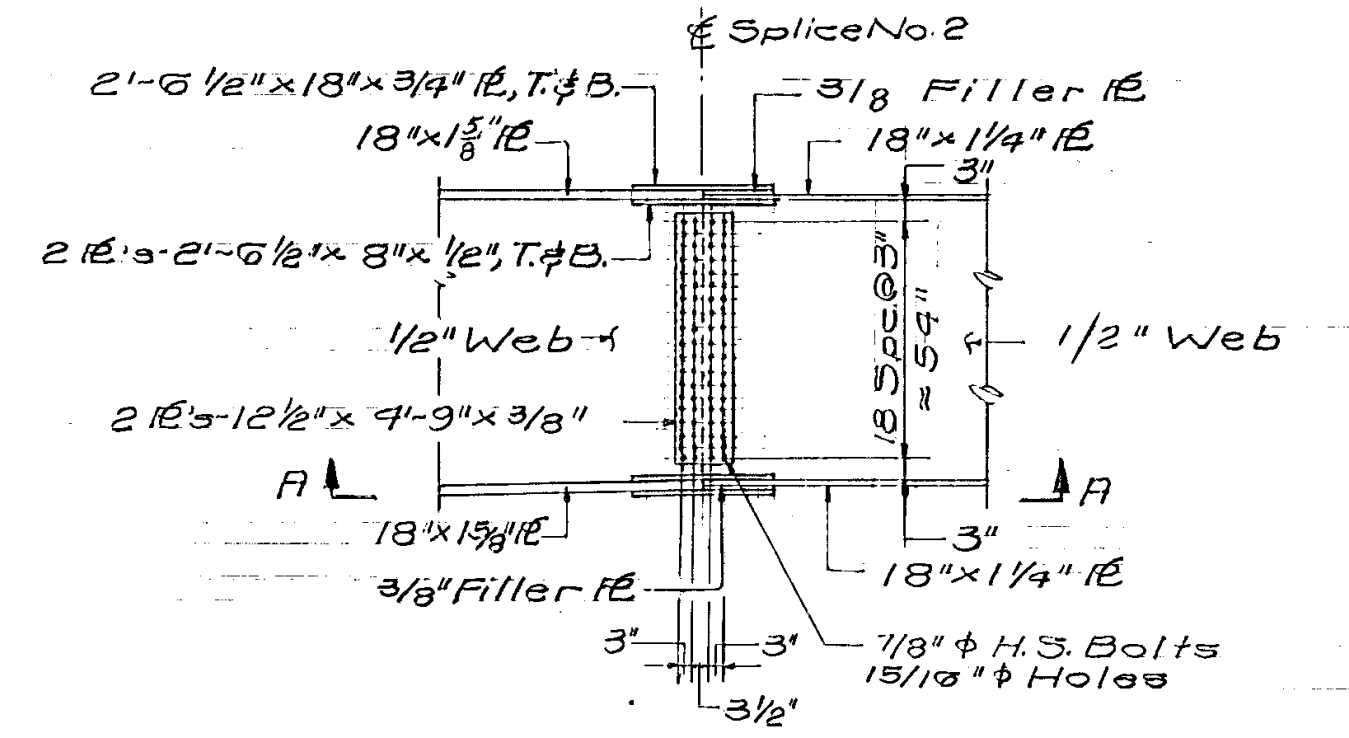


For Curb Details See SCB-D6-67 Detail 'A'
 For Railing Details See SB-R1-64, Sh. 112 SB-R2-65

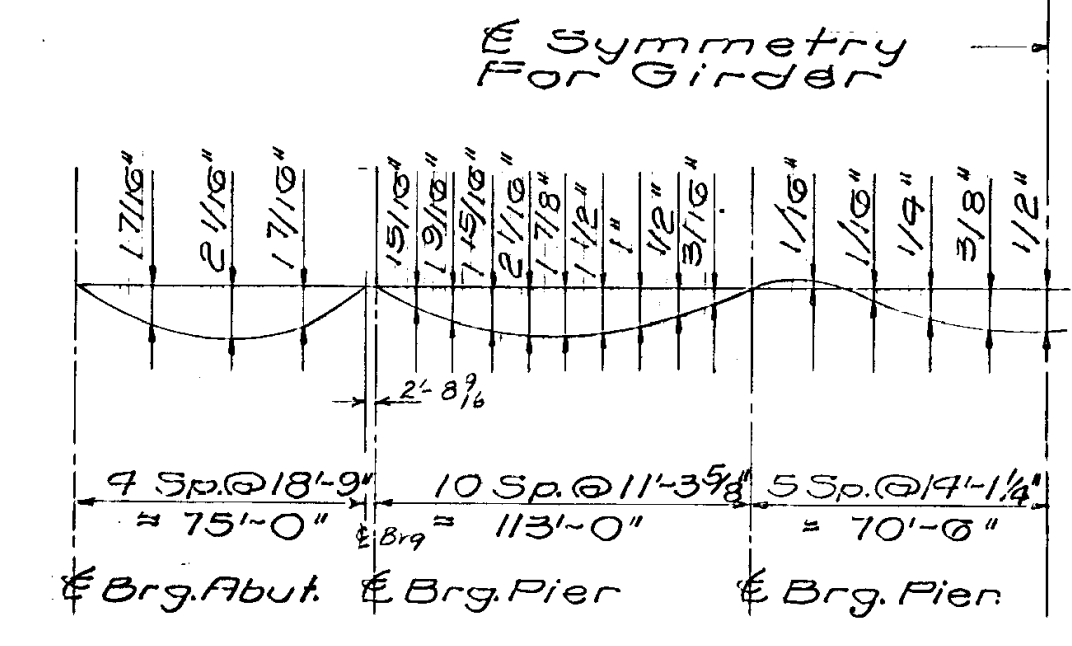
TYPICAL DECK SECTION
 (NORTHBOUND SHOWN)
 SCALE: 1/2"=1'-0"



SPLICE NO. 1
 SCALE: 1/2"=1'-0"



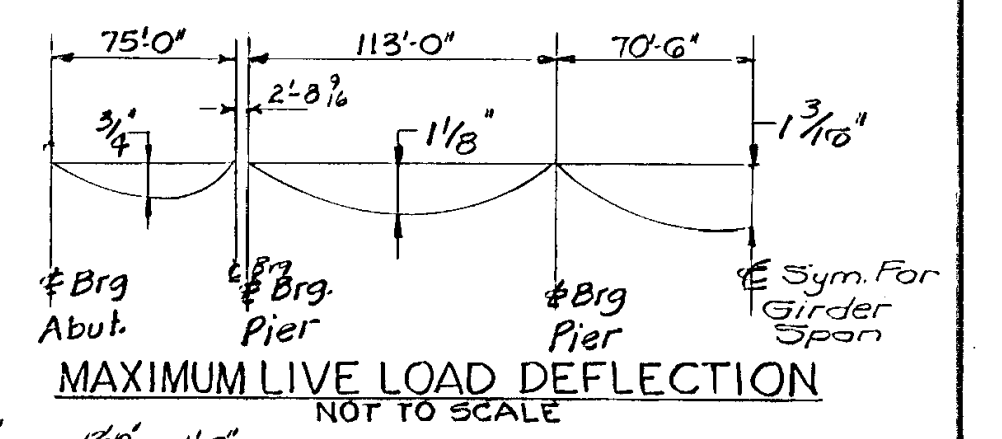
SPLICE NO. 2
 SCALE: 3/8"=1'-0"



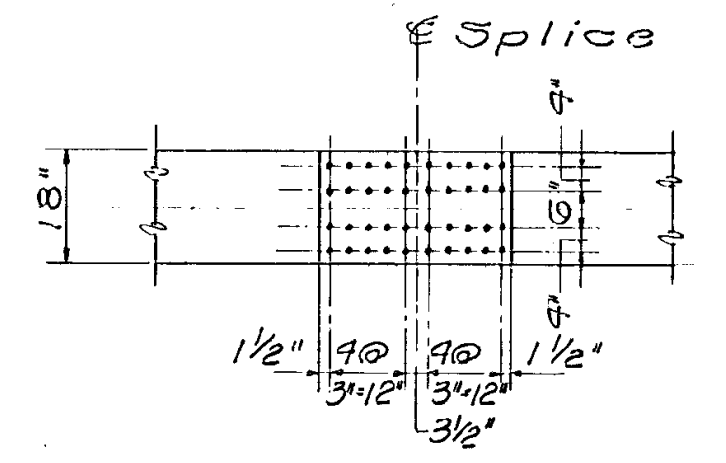
TOTAL DEAD LOAD DEFLECTIONS
 N.T.S.

SUPERSTRUCTURE NOTES:

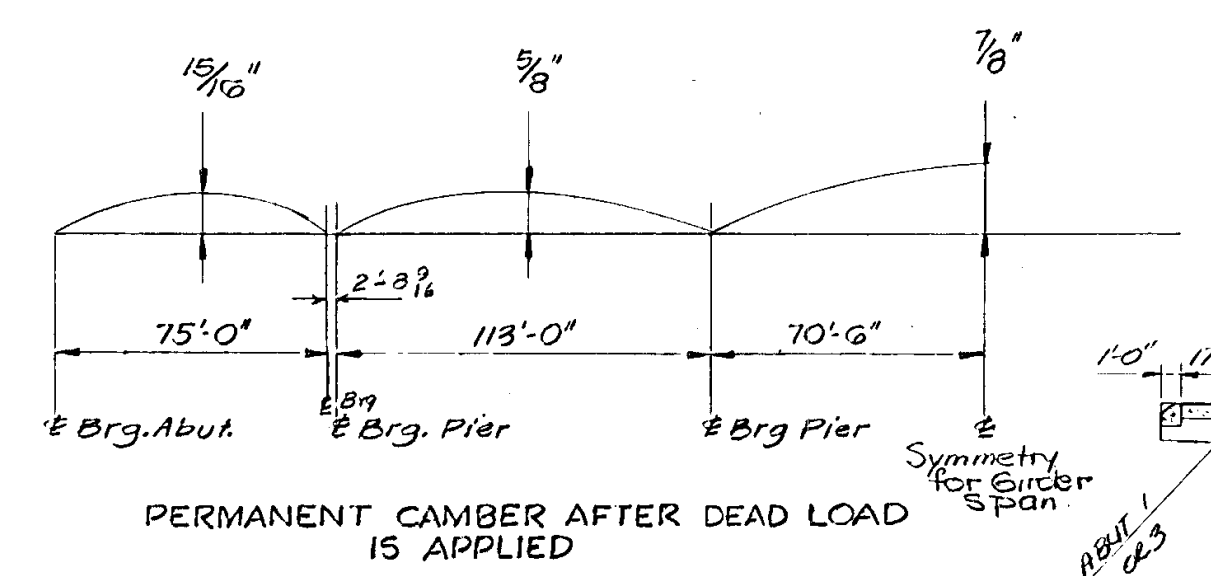
- For general notes and design stresses see std. sh. SCB-D1-67
- For details of shear connectors see std. sh. SCB-D2-67
- For bearing details of abutments see std. sh. SCB-D8-67 & Br III & Br IV
- All cover plate welds to be 3/8" fillet continuous shop welds.
- All field connections to be made with 7/8" high strength bolts with 3/8" holes.
- Structural steel shall be ASTM A-36-62T unless otherwise noted.
- Scuppers to be placed @ 50' (±) except as noted. Do not place above SA-3 or Railroad.
- For curtain wall details, Approach Slab bracket details, see SCB-D2-67, Detail A.



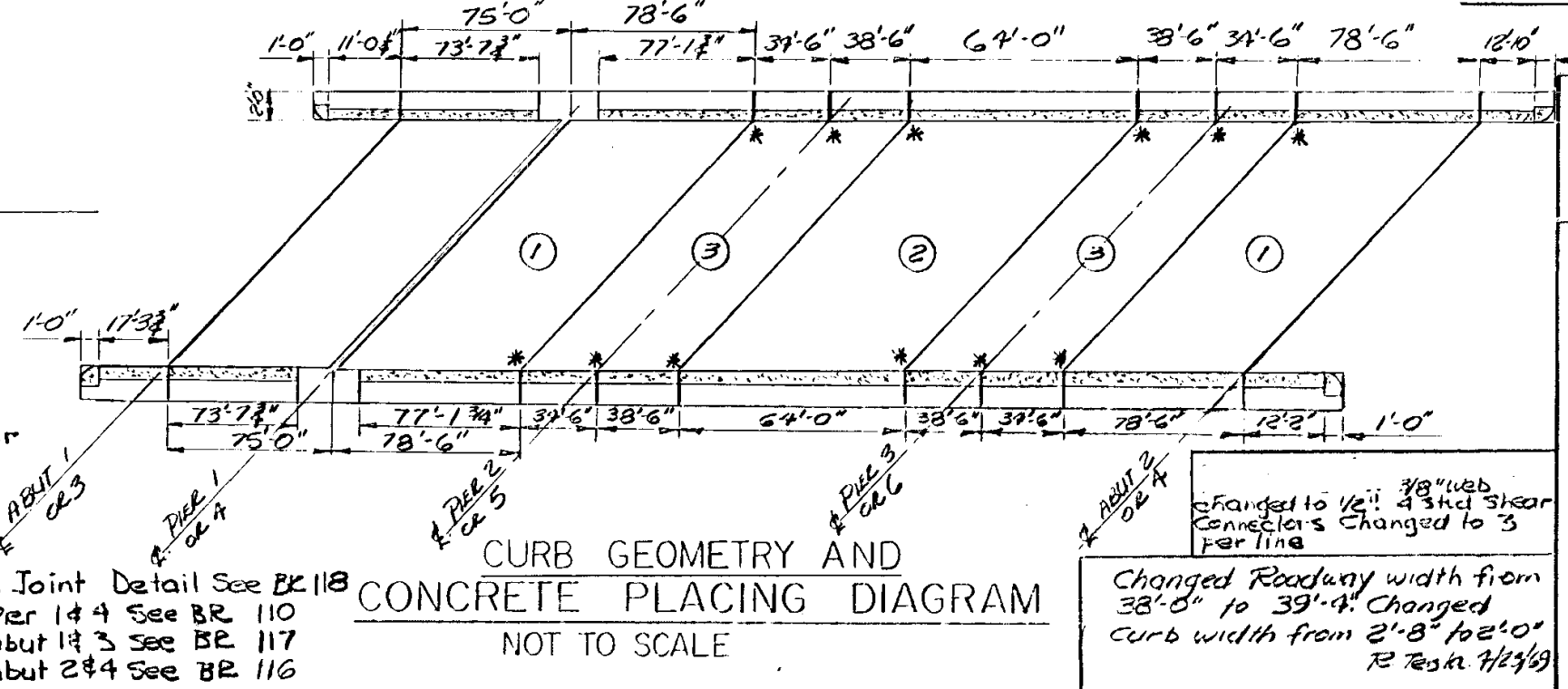
MAXIMUM LIVE LOAD DEFLECTION
 NOT TO SCALE



VIEW A-A
 SCALE: 1/2"=1'-0"



CAMBER DIAGRAM
 NOT TO SCALE



CURB GEOMETRY AND CONCRETE PLACING DIAGRAM
 NOT TO SCALE

* For Curb Joint Detail See BR 118
 For Detail at Pier 144 See BR 110
 For Detail at Abut 143 See BR 117
 For Detail at Abut 244 See BR 116

BR 109 of 129

STATE OF VERMONT
 DEPARTMENT OF HIGHWAYS

PROJECT IRASBURG-DERBY
 TOWN OF IRASBURG

ROUTE NO. 191 STA. 2539±
 191 OVER BARTON RIVER AND SA 3

DECK SECTION AND SPLICE
 SCALE AS NOTED

IN CHARGE C. TERENZIO

DRAWN BY JMB CHECKED BY A. CENTRE

PROJECT NO. 191-3(8) 9-67
 SHEET 178 OF 605 BR 109

IRASBURG
 IM DECK(46)
 BRIDGE NO. 107N
 SHEET 38 OF 49
 FOR REFERENCE ONLY