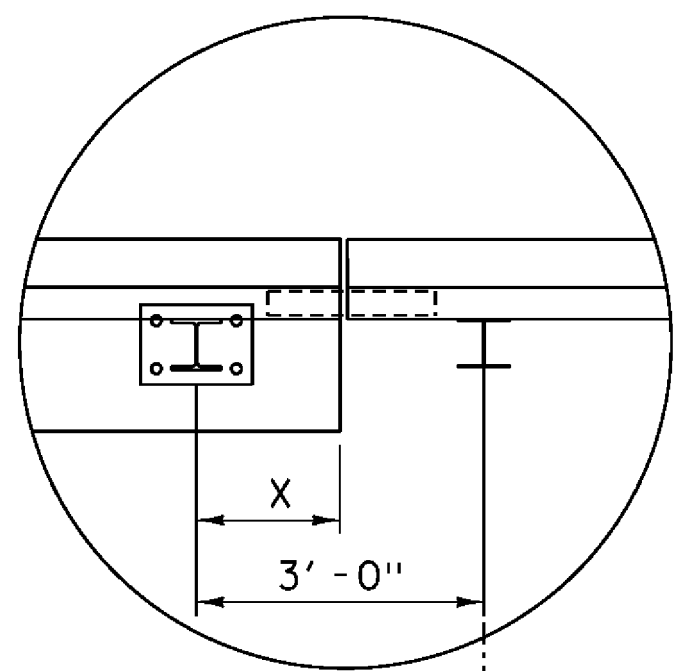
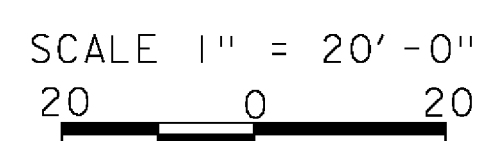


RAIL LAYOUT PLAN

SCALE 1" = 20'-0"



X = 1'-6" NW AND SW CORNERS
= 1'-5 7/8" NE AND SE CORNERS

INSERT "A"

(NE CORNER SHOWN, OTHERS SIMILAR)
SCALE: 1/2" = 1'-0"

NOTES:

- REFER TO STANDARDS G-1, G-1d, S-360A, AND S360B.
- PAYMENT FOR NEW STEEL BEAM GUARDRAIL CONNECTION TO EXISTING RAIL WILL BE CONSIDERED INCIDENTAL TO ITEM 621.20, "STEEL BEAM GUARDRAIL, GALVANIZED".

PROJECT NAME:	IRASBURG
PROJECT NUMBER:	IM DECK(46)
FILE NAME:	z15a16rail_bdr-107N.dgn
PROJECT LEADER:	J. BYATT
DESIGNED BY:	L. GREER
RAIL LAYOUT SHEET	
PLOT DATE:	2/5/2016
DRAWN BY:	P. McKECHNIE
CHECKED BY:	S. FORTIER
SHEET	26 OF 49



MODEL: Sheet01
CLD 15-0223