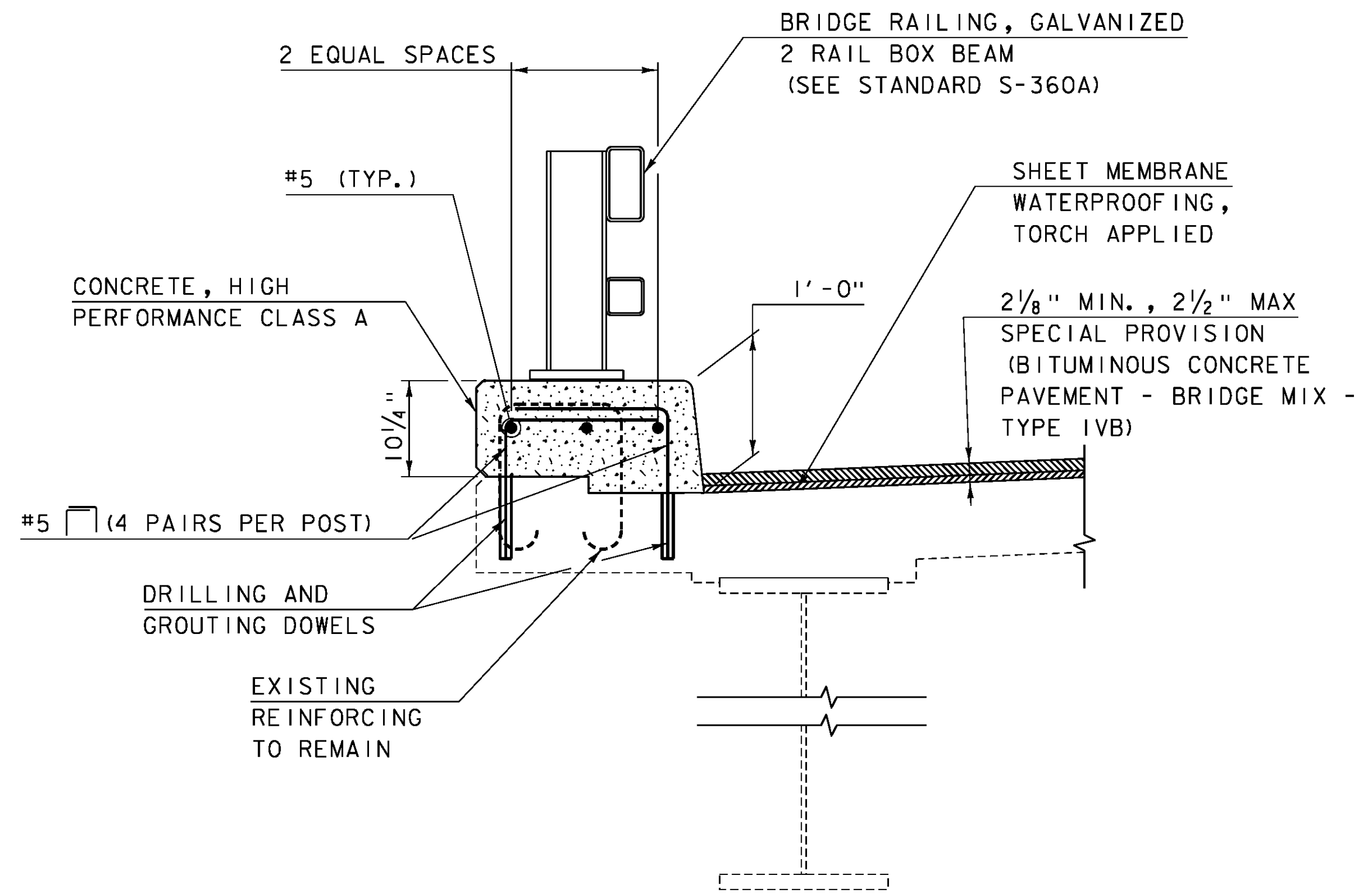
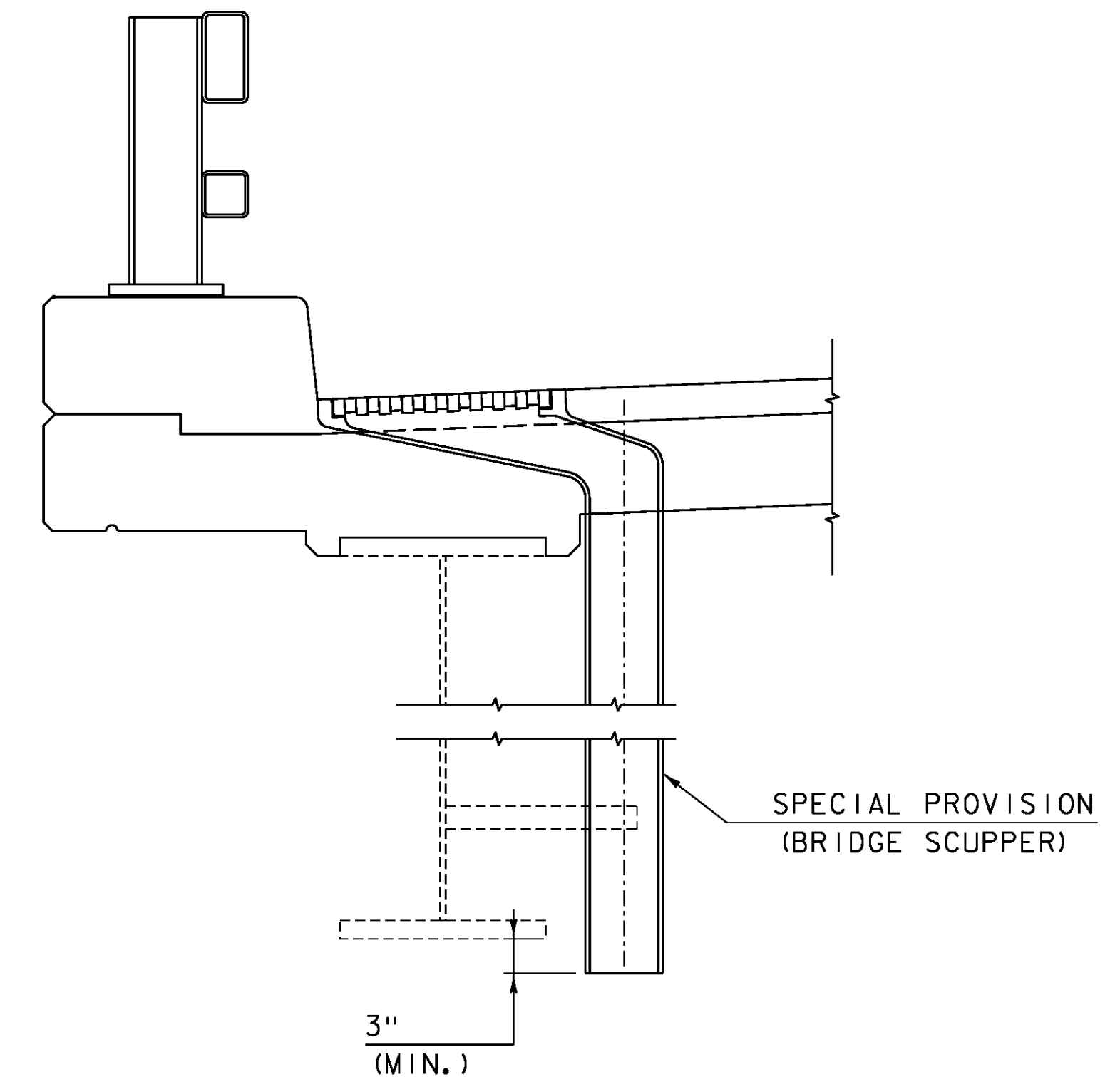


SPAN I REMOVAL LIMITS
SCALE: 1" = 1'-0"

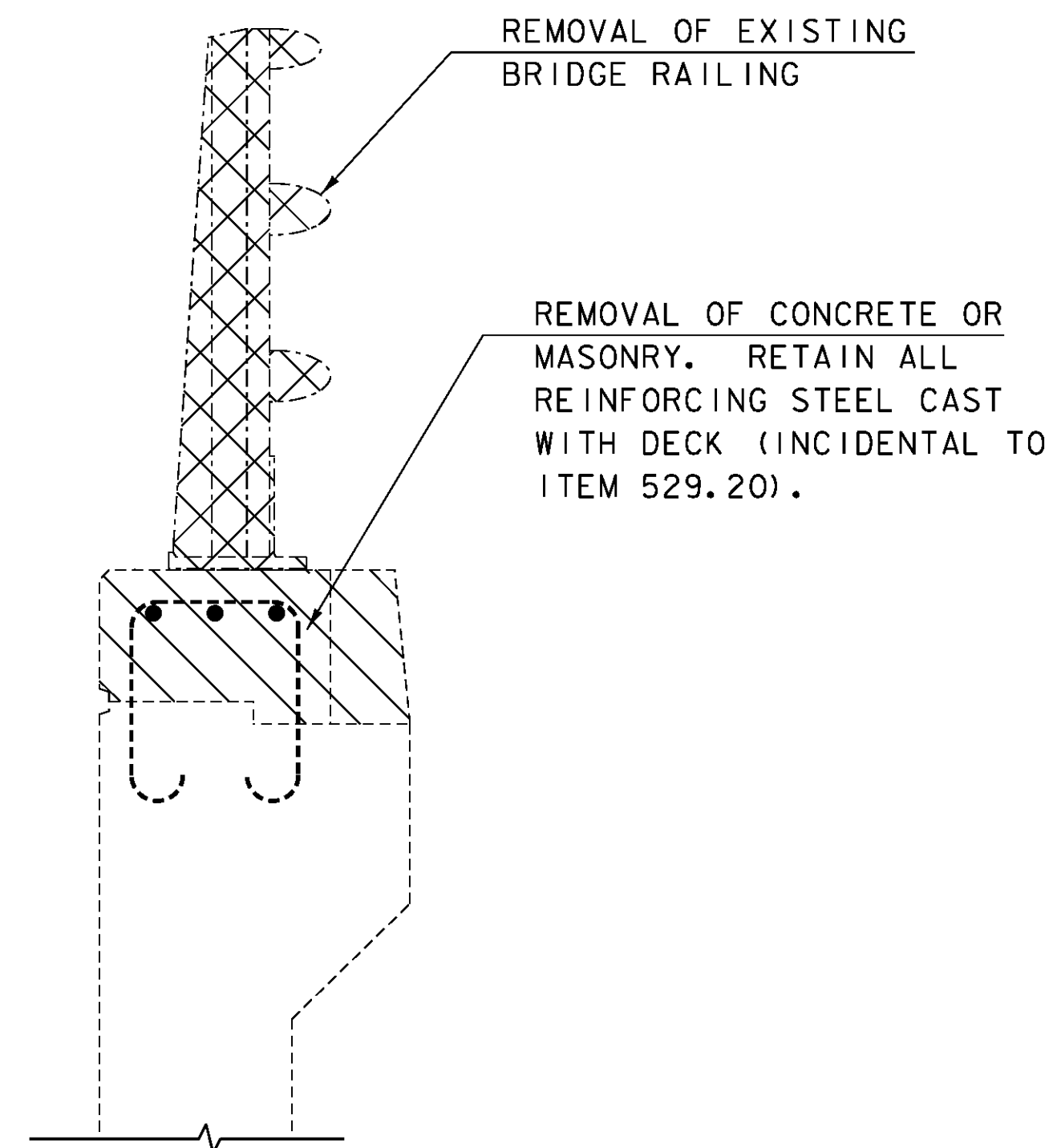


TYPICAL SPAN I SECTION
SCALE: 1" = 1'-0"

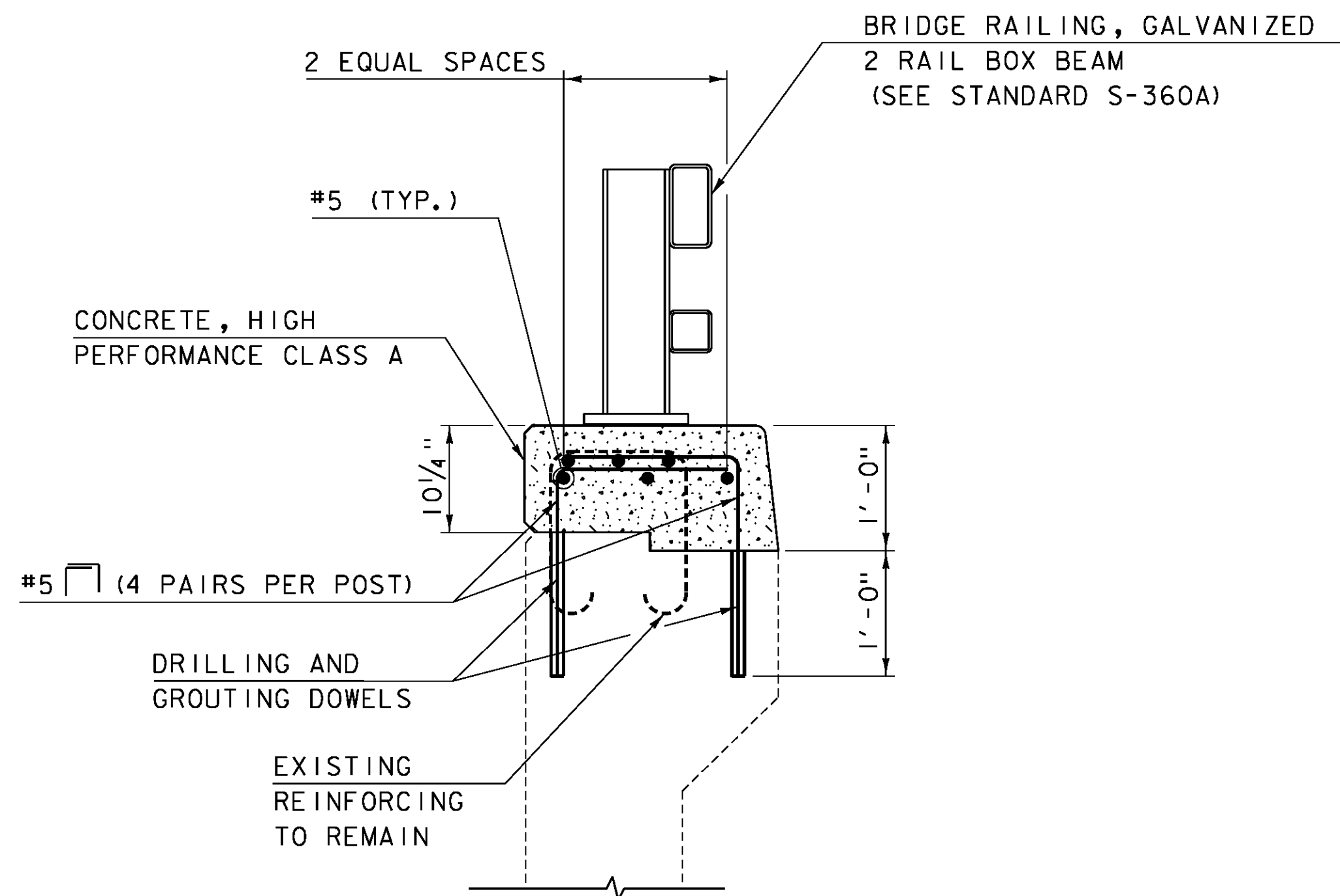
TO BE USED IF SPAN I REMAINS IN-PLACE






TYPICAL SCUPPER DETAIL
SCALE: 1" = 1'-0"



WINGWALL REMOVAL LIMITS
SCALE: 1" = 1'-0"



TYPICAL WINGWALL SECTION
SCALE: 1" = 1'-0"

-  REMOVAL OF EXISTING BRIDGE RAILING
-  REMOVAL OF CONCRETE OR MASONRY SEE PROJECT NOTES 13 AND 14 ON SHEET 2.
-  CONCRETE, HIGH PERFORMANCE CLASS A

PROJECT NAME:	IRASBURG	PLOT DATE:	2/5/2016
PROJECT NUMBER:	IM DECK(46)	DRAWN BY:	M. SMITH
FILE NAME:	z15all6+yp-107N.dgn	DESIGNED BY:	J. FRENCH
PROJECT LEADER:	J. BYATT	CHECKED BY:	S. BEAUMONT
CURB REPLACEMENT DETAILS SHEET			SHEET 24 OF 49

