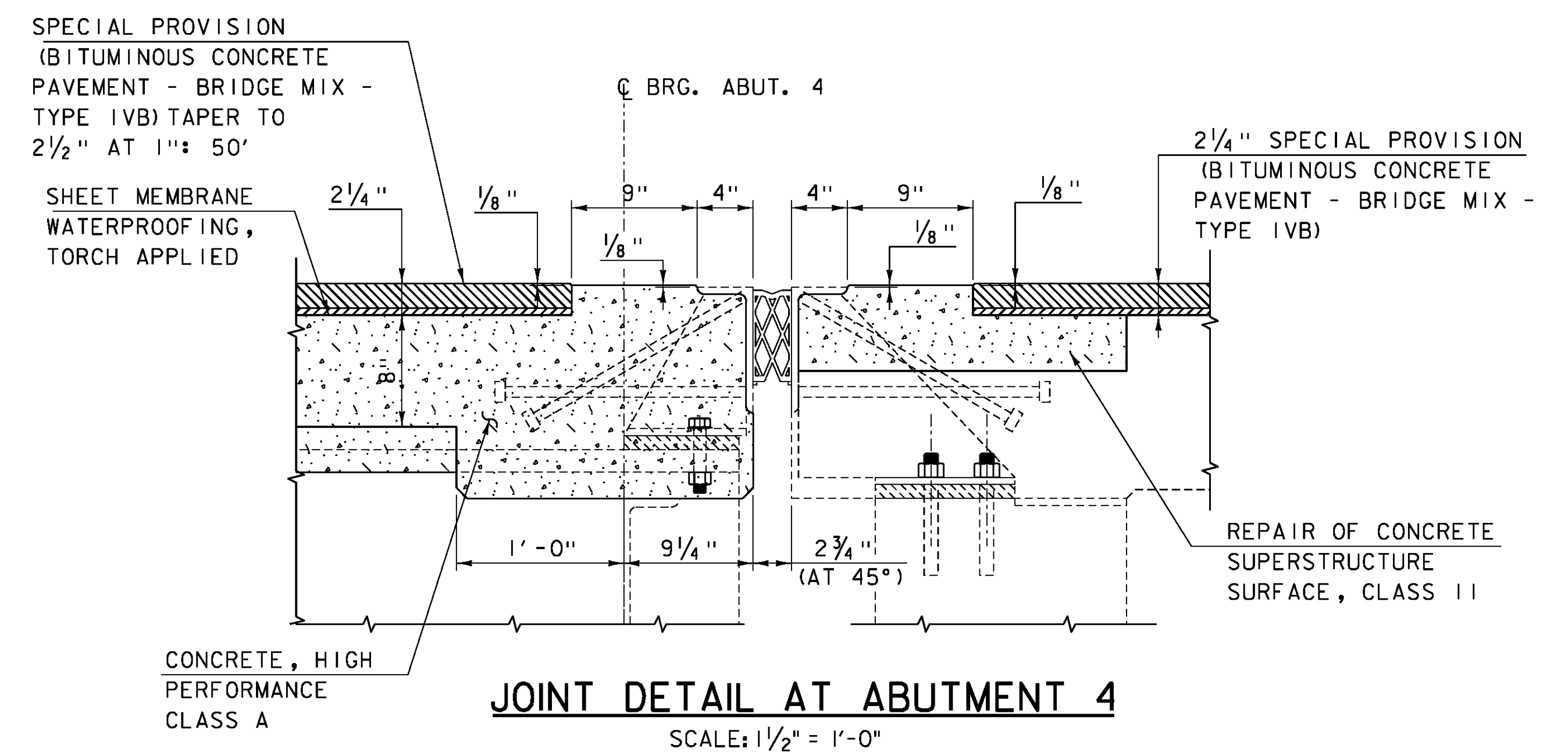


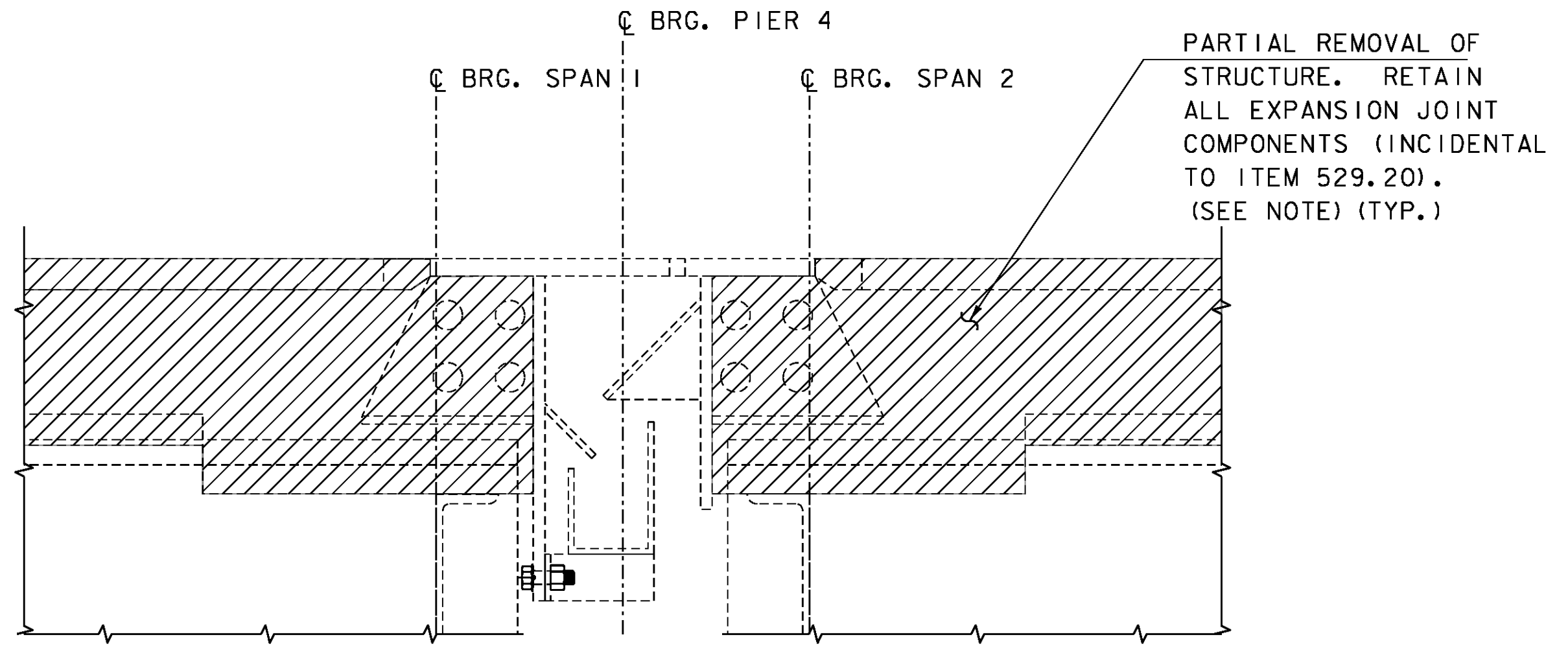
JOINT REMOVAL DETAIL AT ABUTMENT 4

SCALE: 1 1/2" = 1'-0"



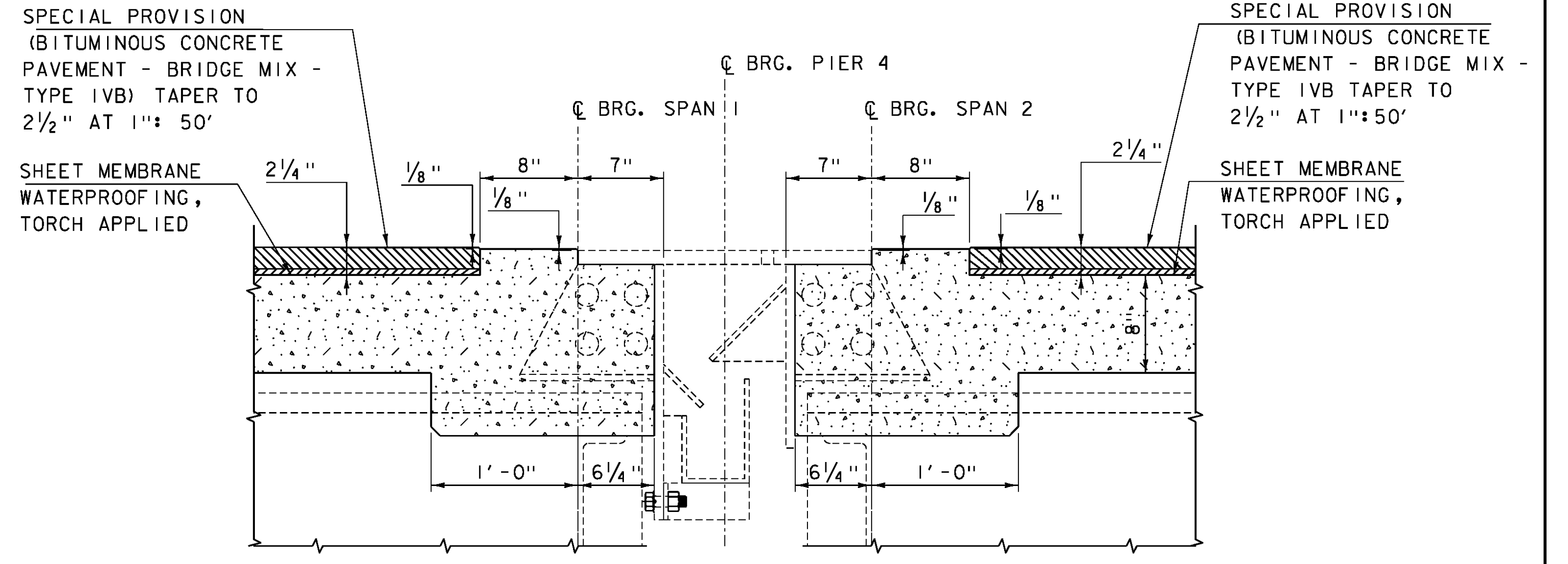
JOINT DETAIL AT ABUTMENT 4

SCALE: 1 1/2" = 1'-0"



JOINT REMOVAL DETAIL AT PIER 4

SCALE: 1 1/2" = 1'-0"

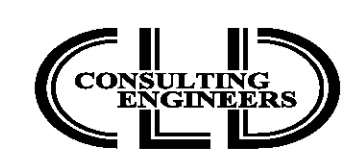


JOINT DETAIL AT PIER 4

SCALE: 1 1/2" = 1'-0"

NOTE: SEE PROJECT NOTES 16 THROUGH 18 ON SHEET 2 FOR ADDITIONAL JOINT INFORMATION.

| | |
|-----------------------|---------------------|
| PROJECT NAME: | IRASBURG |
| PROJECT NUMBER: | IM DECK(46) |
| FILE NAME: | z15d116+yp-107N.dgn |
| PROJECT LEADER: | J. BYATT |
| DESIGNED BY: | J. FRENCH |
| JOINT DETAILS SHEET 3 | |
| PLOT DATE: | 2/5/2016 |
| DRAWN BY: | M. SMITH |
| CHECKED BY: | S. BEAUMONT |
| SHEET | 23 OF 49 |



CLD 15-0223 MODEL: Sheet07