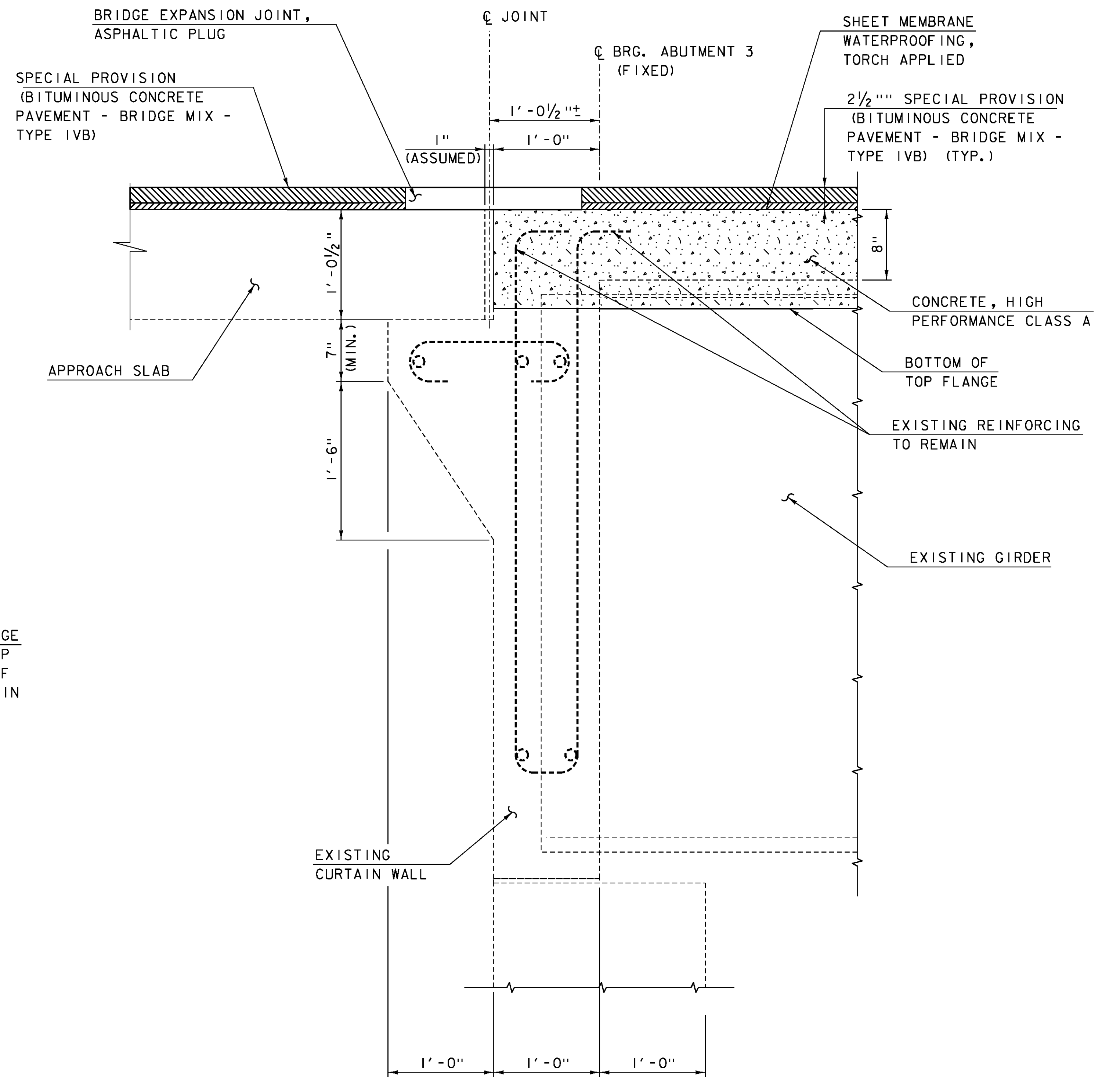


**DECK REMOVAL DETAIL AT ABUTMENT 3**  
SCALE: 1/2" = 1'-0"



**JOINT DETAIL AT ABUTMENT 3**  
SCALE: 1/2" = 1'-0"

CLD 15-0223 MODEL: Sheet06



PROJECT NAME:	IRASBURG	PLOT DATE:	2/5/2016
PROJECT NUMBER:	IM DECK(46)	DRAWN BY:	M. SMITH
FILE NAME:	z150116+yp-107N.dgn	CHECKED BY:	S. BEAUMONT
PROJECT LEADER:	J. BYATT	DESIGNED BY:	J. FRENCH
JOINT DETAILS SHEET 2			SHEET 22 OF 49