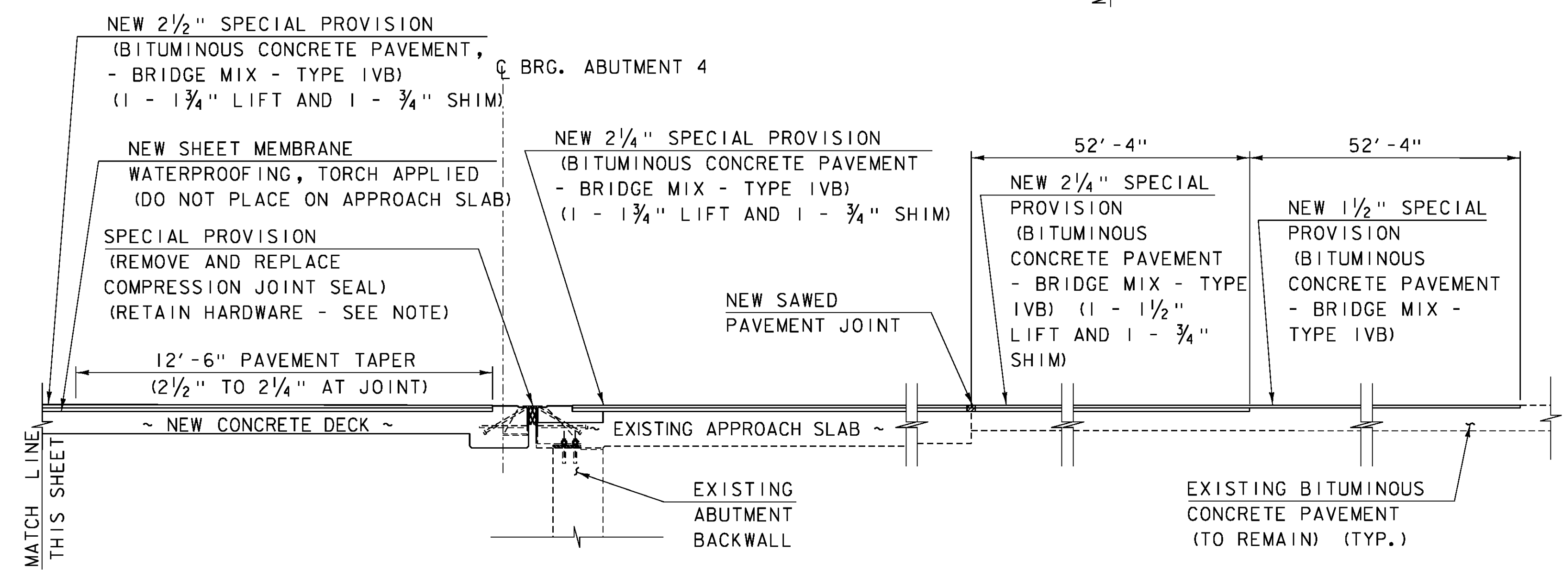


### SAWED PAVEMENT JOINT REPLACEMENT SCHEDULE

BRIDGE NO.	APPROACH SLAB 3	APPROACH SLAB 4
107N	40 LF	40 LF

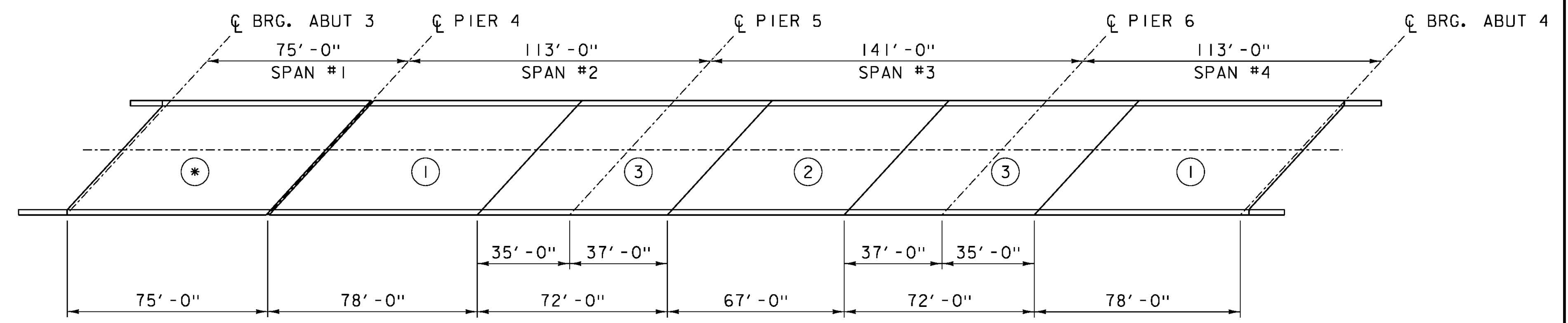
### JOINT SCHEDULE

	ABUT. 3	PIER 4	PIER 5	PIER 6	ABUT. 4
JOINT TYPE	ASPHALTIC PLUG	FINGER JOINT	N/A	N/A	COMPRESSION SEAL
REQUIRED JOINT WORK	REPLACE	RETAIN (SEE NOTE)	N/A	N/A	REPLACE SEAL, RETAIN HARDWARE (SEE NOTE)
LENGTH	54 LF	58 LF	N/A	N/A	58 LF



### JOINT, PAVEMENT, AND MEMBRANE LAYOUT

SCALE: 3/8" = 1'-0"

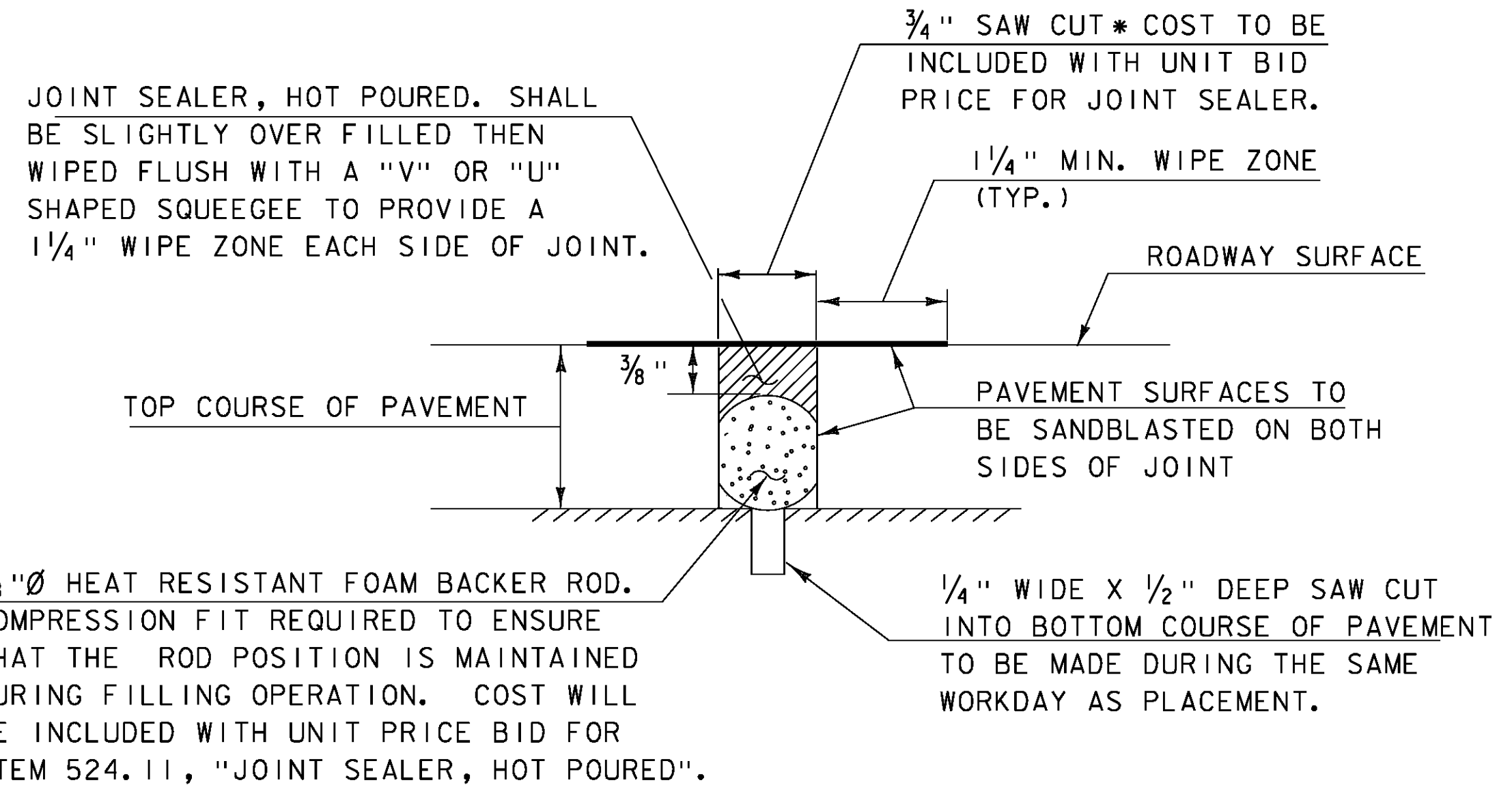


\* SPAN #1 IS A SIMPLE SPAN AND CAN BE POURED AT ANY TIME.

### DECK POUR SEQUENCE

SCALE: N.T.S.

NOTE: SEE NOTES 17 THROUGH 19 ON SHEET 2 FOR ADDITIONAL JOINT INFORMATION.



### SAWED PAVEMENT JOINT DETAIL

(NOT TO SCALE)

\* JOINT IS TO BE LOCATED ACCURATELY BY STRING LINING, OR OTHER MEANS, PRIOR TO PAVING, SO THAT THE SAW CUT WILL BE MADE DIRECTLY OVER THE END OF CONCRETE DECK. JOINT SHALL BE CUT DRY IN A SINGLE PASS AND BE SEALED WITHIN 24 HOURS OR PRIOR TO EXPOSURE TO TRAFFIC. JOINT SHALL BE CLEANED PRIOR TO APPLYING THE JOINT SEALER. ALL WORK WILL BE PAID UNDER ITEM 524.11, "JOINT SEALER, HOT POURED".

PROJECT NAME:	IRASBURG
PROJECT NUMBER:	IM DECK(46)
FILE NAME:	z15oll6+yp-107N.dgn
PROJECT LEADER:	J. BYATT
DESIGNED BY:	J. FRENCH
JOINT DETAILS SHEET 1	
PLOT DATE:	2/5/2016
DRAWN BY:	M. SMITH
CHECKED BY:	S. BEAUMONT
SHEET	21 OF 49



CLD 15-0223 MODEL+Sheet05