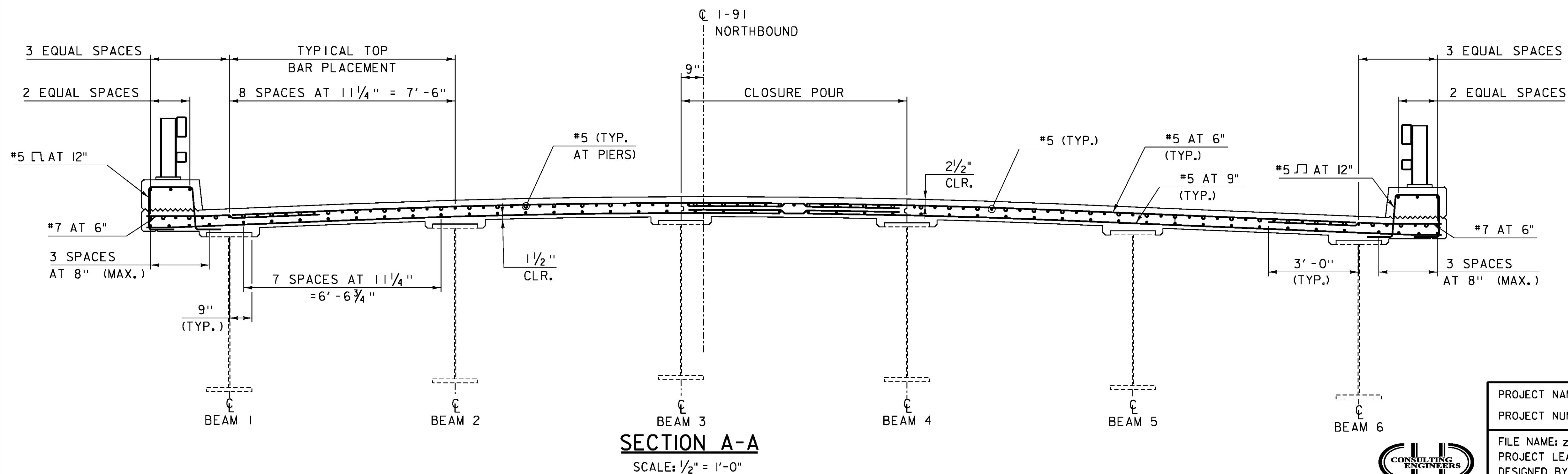


DECK REINFORCEMENT PLAN - BOTTOM BARS - SPAN #1

SCALE: 1" = 10'-0"

DECK REINFORCEMENT PLAN - TOP BARS - SPAN #1

SCALE: 1" = 10'-0"



SECTION A-A

SCALE: 1/2" = 1'-0"

NOTES:

1. 3" CLEAR, UNLESS OTHERWISE SPECIFIED ON THE PLANS.
2. 3'-0" BAR LAP UNLESS OTHERWISE SPECIFIED ON THE PLANS.
3. 1'-0" HOOK UNLESS OTHERWISE SPECIFIED ON THE PLANS.
4. SEE SHEET 20 FOR SPAN #2 THROUGH SPAN #4 DECK REINFORCEMENT PLANS.
5. SEE SHEET 26 FOR RAIL LAYOUT PLAN.
6. DECK DIMENSIONS ARE APPROXIMATED FROM REFERENCE PLANS. CONTRACTOR SHALL FIELD VERIFY.

PROJECT NAME: IRASBURG
PROJECT NUMBER: IM DECK(46)

FILE NAME: z15oll6+yp-107N.dgn
PROJECT LEADER: J. BYATT
DESIGNED BY: N. CARON
DECK DETAILS SHEET 1

PLOT DATE: 2/5/2016
DRAWN BY: M. SMITH
CHECKED BY: S. BEAUMONT
SHEET 19 OF 49

CLD 15-0223 MODEL: Sheet03

