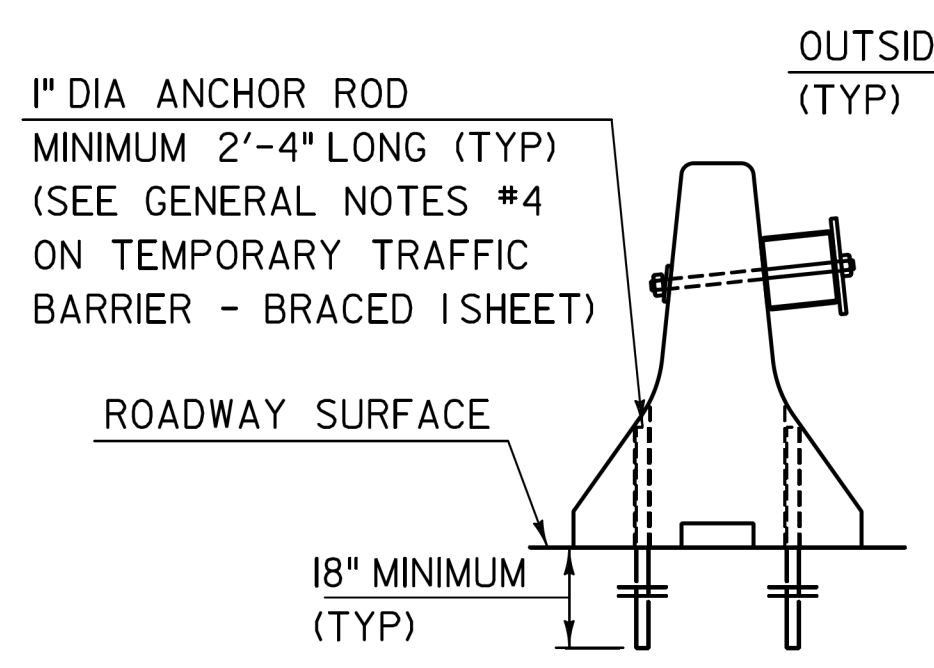
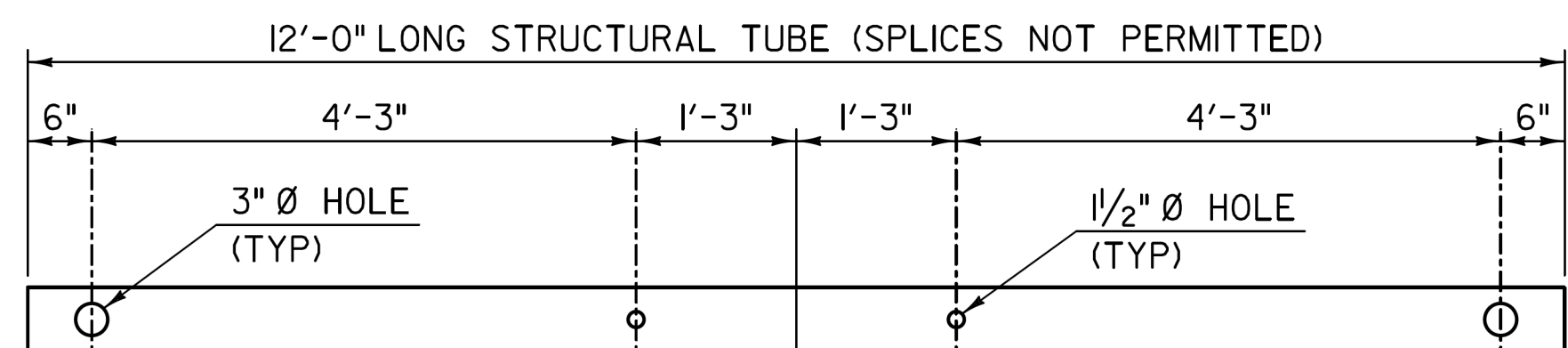
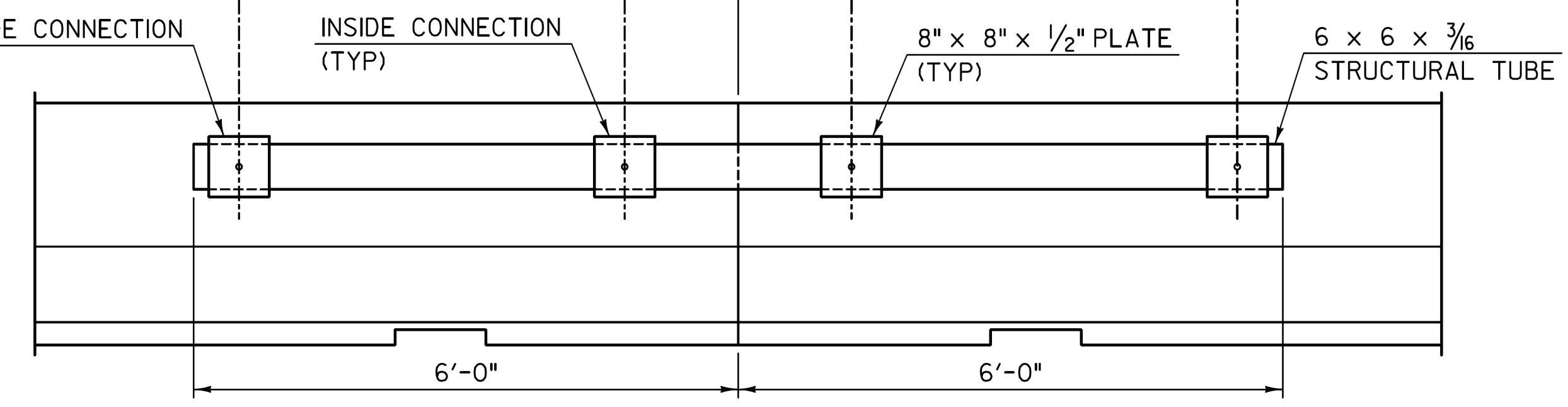


PLAN - BARRIER LAYOUT
NOT TO SCALE



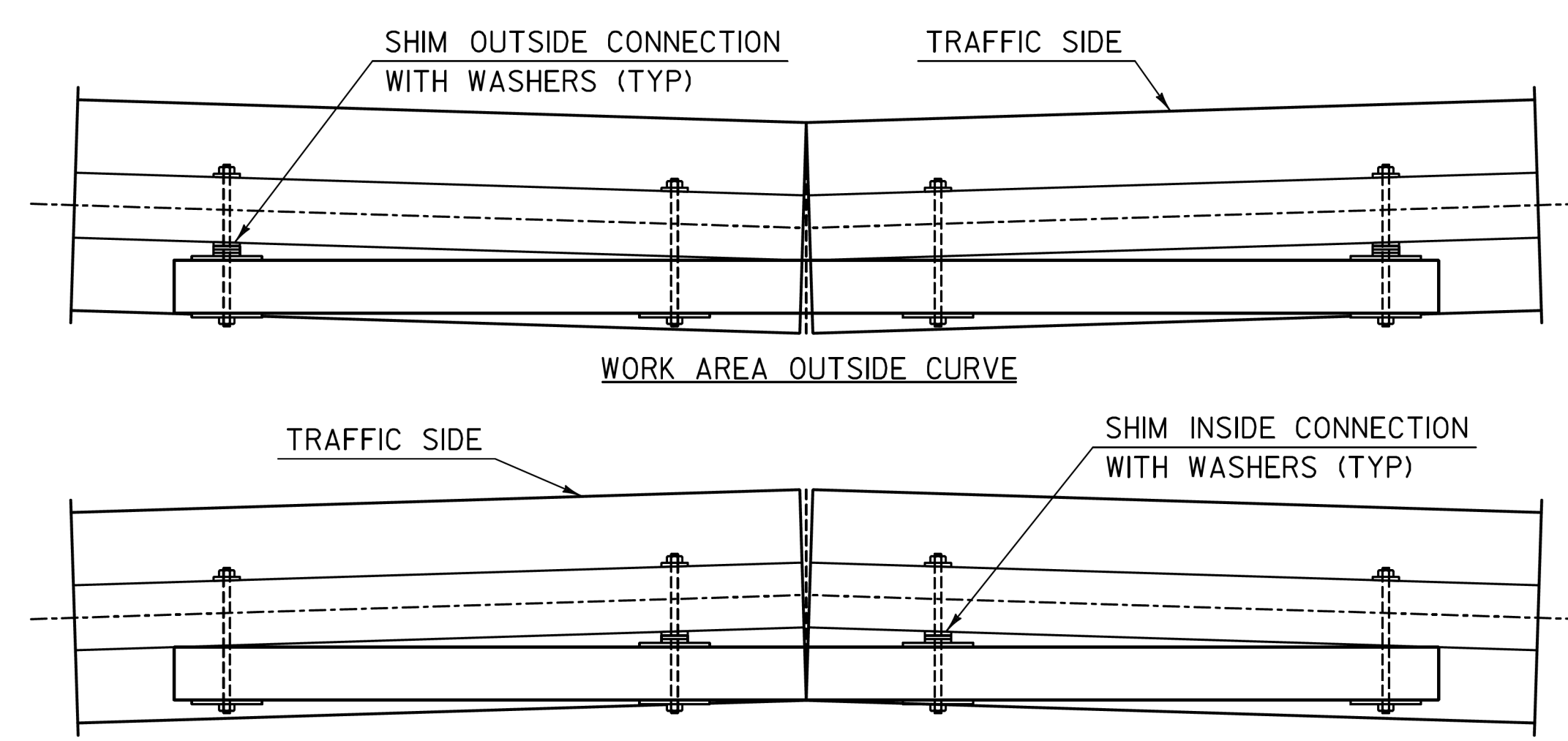
ANCHORAGE DETAIL
SCALE 3/4"=1'-0"



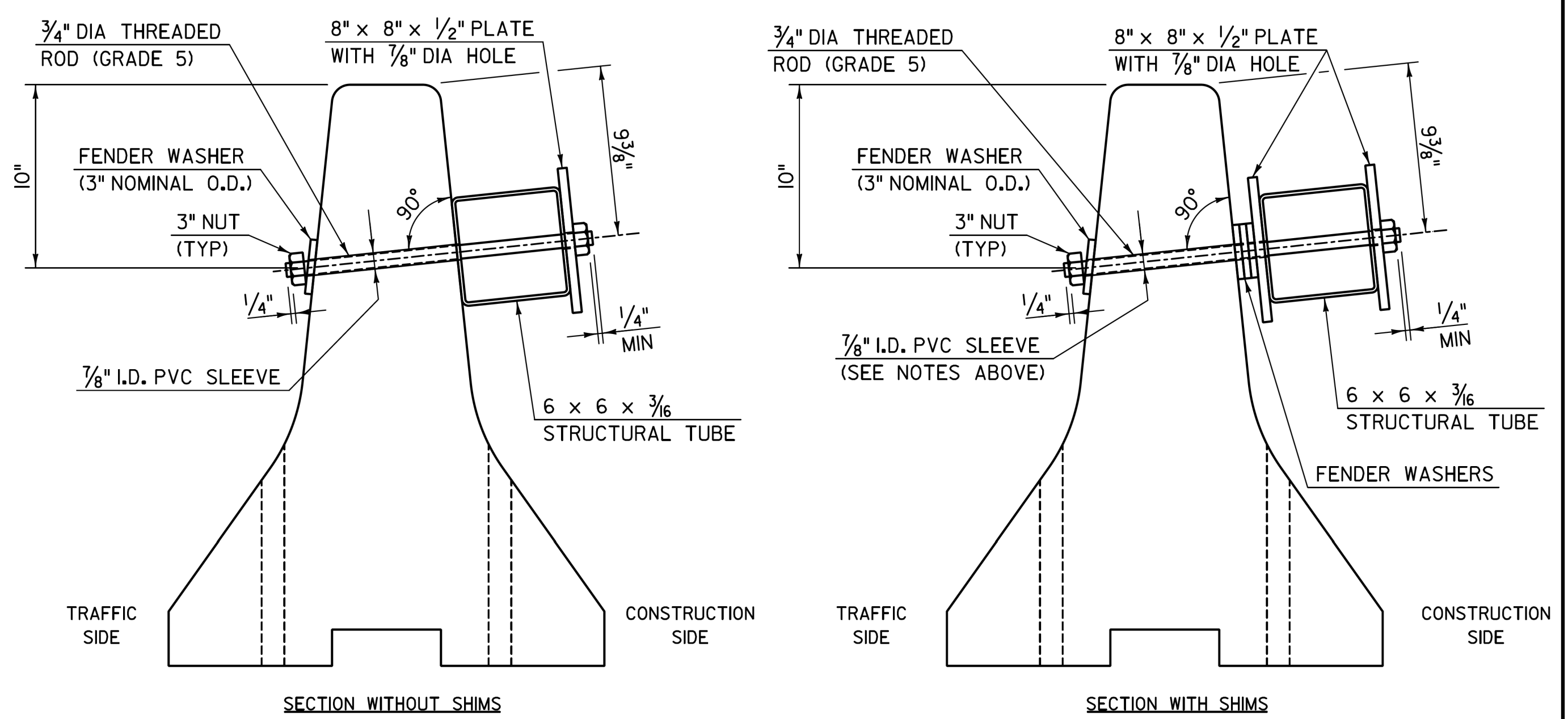
STRUCTURAL TUBING DETAILS
SCALE 3/4"=1'-0"

PVC SLEEVE OPENINGS SHALL BE MODIFIED/DRILLED AS REQUIRED TO PROPERLY ALIGN STRUCTURAL TUBE BRACING UNITS FOR CURVED ALIGNMENTS

THE PRESENCE OF NORMAL HOLES WHICH HAVE BEEN MODIFIED/DRILLED WILL NOT AFFECT THE REUSE OF CONCRETE BARRIER UNITS

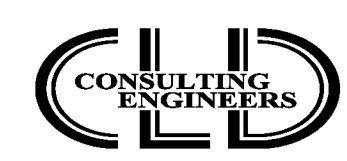


TUBE CONNECTIONS (CURVED ALIGNMENT)
SCALE 3/4"=1'-0"



BARRIER & STRUCTURAL TUBING SECTIONS
SCALE 1"=1'-0"

MODEL: Sheet02
CLD 15-0223



PROJECT NAME:	IRASBURG	FILE NAME:	z15all6barrier-107N.dgn	PLOT DATE:	2/5/2016
PROJECT NUMBER:	IM DECK(46)	PROJECT LEADER:	J. BYATT	DRAWN BY:	M. SMITH
		DESIGNED BY:	S. BEAUMONT	CHECKED BY:	J. BYATT
		TEMPORARY TRAFFIC BARRIER - BRACED SHEET 2		SHEET	18 OF 49