

REST AREA NORTHBOUND

MM 34.441

TEMPORARY 6 INCH WHITE LINE, PAINT

REST AREA	SOLID RT EDGE LINE
NORTHBOUND OFF RAMP	DOTTED RT LANE LINE
INTERSTATE 89	SOLID RT EDGE LINE
NORTHBOUND ON RAMP	DOTTED RT LANE LINE
INTERSTATE 89	SOLID RT EDGE LINE
	DOTTED RT LANE LINE

TEMPORARY 6 INCH YELLOW LINE, PAINT

REST AREA	SOLID RT EDGE LINE
NORTHBOUND OFF RAMP	SOLID RT EDGE LINE
NORTHBOUND ON RAMP	SOLID RT EDGE LINE

TEMPORARY 12 INCH WHITE LINE, PAINT

REST AREA	SOLID RT GORE AREA
NORTHBOUND OFF RAMP	SOLID RT GORE AREA
INTERSTATE 89	SOLID RT GORE AREA
NORTHBOUND ON RAMP	SOLID RT GORE AREA
INTERSTATE 89	SOLID RT GORE AREA

DURABLE 6 INCH WHITE LINE, POLYUREA

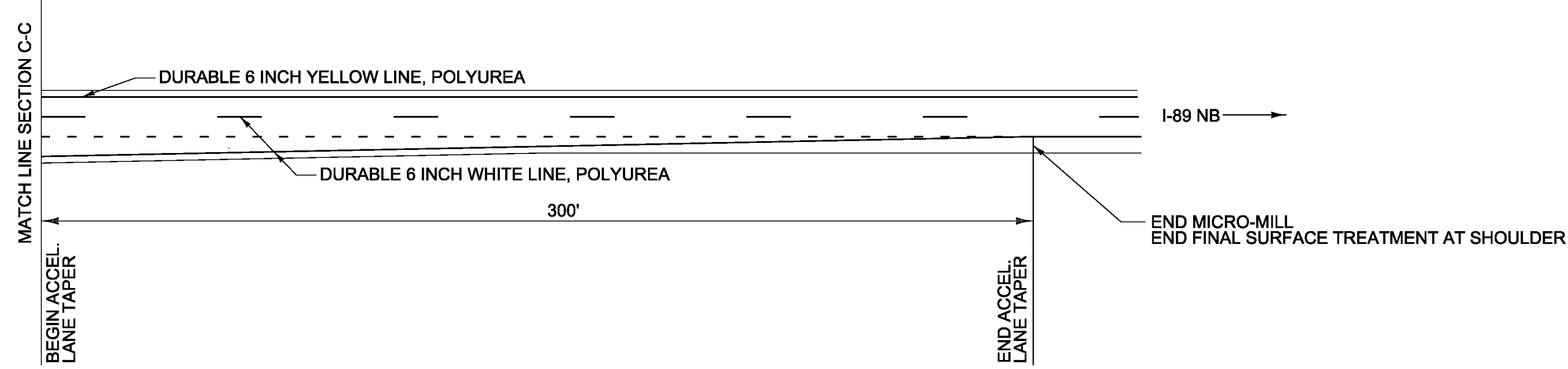
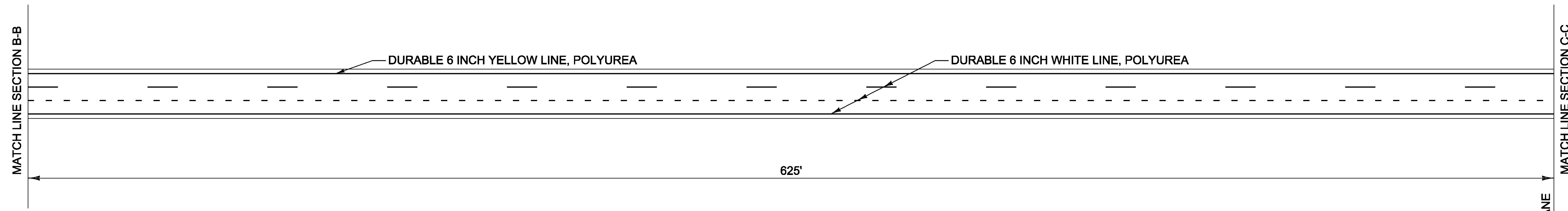
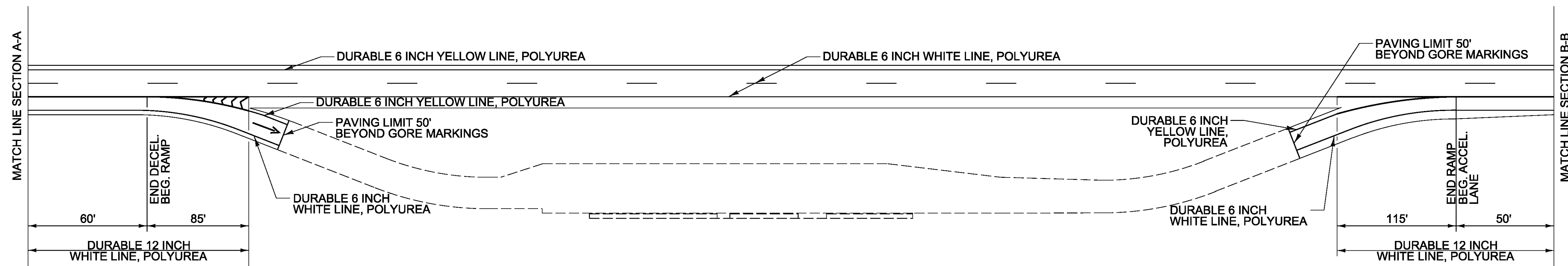
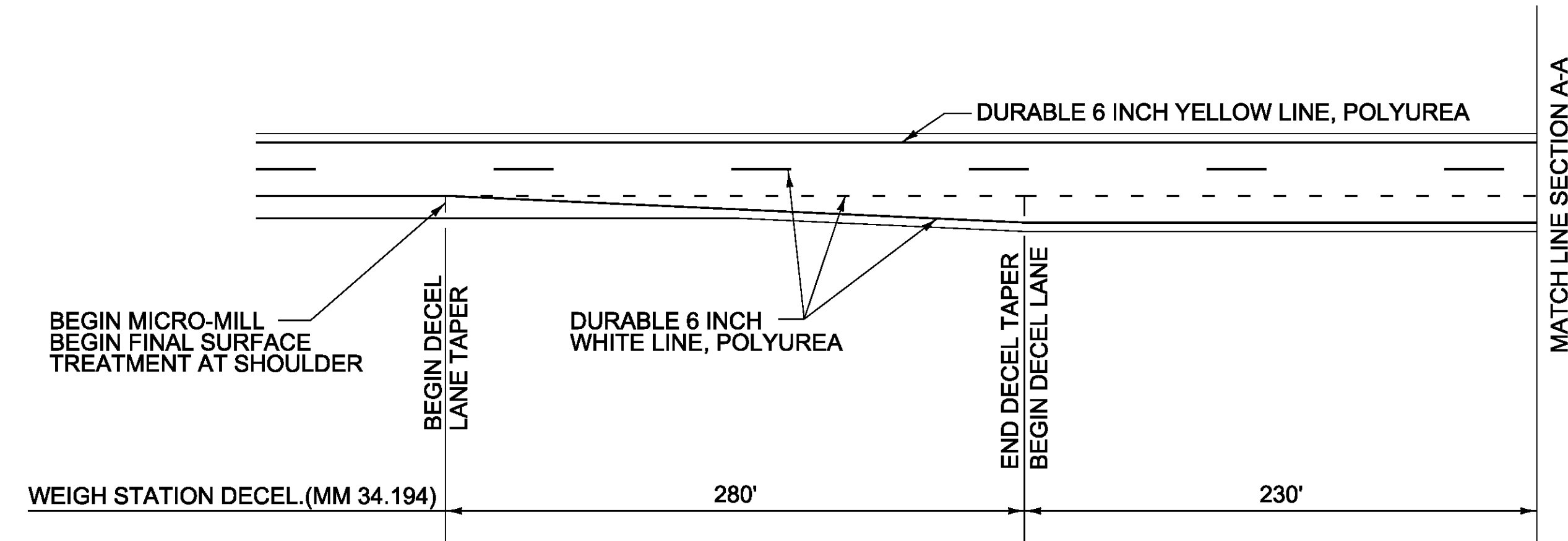
REST AREA	SOLID RT EDGE LINE
NORTHBOUND OFF RAMP	DOTTED RT LANE LINE
INTERSTATE 89	SOLID RT EDGE LINE
NORTHBOUND ON RAMP	DOTTED RT LANE LINE
INTERSTATE 89	SOLID RT EDGE LINE
	DOTTED RT LANE LINE

DURABLE 6 INCH YELLOW LINE, POLYUREA

REST AREA	SOLID RT EDGE LINE
NORTHBOUND OFF RAMP	SOLID RT EDGE LINE
NORTHBOUND ON RAMP	SOLID RT EDGE LINE

DURABLE 12 INCH WHITE LINE, POLYUREA

REST AREA	SOLID RT GORE AREA
NORTHBOUND OFF RAMP	SOLID RT GORE AREA
INTERSTATE 89	SOLID RT GORE AREA
NORTHBOUND ON RAMP	SOLID RT GORE AREA
INTERSTATE 89	SOLID RT GORE AREA



NOT TO SCALE

PROJECT NAME: BETHEL-BROOKFIELD
PROJECT NUMBER: IM SURF(54)

FILE NAME: pl4v206wrk.dgn	PLOT DATE: 2/17/2015
PROJECT LEADER: M. FOWLER	DRAWN BY: B. KIPP
DESIGNED BY: B. KIPP	CHECKED BY:
PAVEMENT MARKING DETAIL SHEET 4	SHEET 14 OF 22