

# PARKING AREA REST AREA SOUTHBOUND

MM 29.653 (PARKING AREA)  
MM 33.585 (REST AREA)

<u>DURABLE 6 INCH WHITE LINE, POLYUREA</u>		<u>DURABLE 6 INCH WHITE LINE, POLYUREA</u>	
PARKING AREA:			
SOUTHBOUND OFF RAMP	SOLID LT EDGE LINE	SOUTHBOUND OFF RAMP	SOLID LT EDGE LINE
INTERSTATE 89	DOTTED LT LANE LINE	INTERSTATE 89	DOTTED LT LANE LINE
PARKING AREA	SOLID LT EDGE LINE	PARKING AREA	SOLID LT EDGE LINE
SOUTHBOUND ON RAMP	SOLID LT EDGE LINE	SOUTHBOUND ON RAMP	SOLID LT EDGE LINE
INTERSTATE 89	DOTTED LT LANE LINE	INTERSTATE 89	DOTTED LT LANE LINE

<u>REST AREA:</u>		<u>REST AREA:</u>	
SOUTHBOUND OFF RAMP	SOLID LT EDGE LINE	SOUTHBOUND OFF RAMP	SOLID LT EDGE LINE
INTERSTATE 89	DOTTED LT LANE LINE	INTERSTATE 89	DOTTED LT LANE LINE
SOUTHBOUND ON RAMP	SOLID LT EDGE LINE	SOUTHBOUND ON RAMP	SOLID LT EDGE LINE
INTERSTATE 89	DOTTED LT LANE LINE	INTERSTATE 89	DOTTED LT LANE LINE

<u>DURABLE 6 INCH YELLOW LINE, POLYUREA</u>		<u>DURABLE 6 INCH YELLOW LINE, POLYUREA</u>	
PARKING AREA:			
SOUTHBOUND OFF RAMP	SOLID LT EDGE LINE	SOUTHBOUND OFF RAMP	SOLID LT EDGE LINE
PARKING AREA	SOLID LT EDGE LINE	PARKING AREA	SOLID LT EDGE LINE
SOUTHBOUND ON RAMP	SOLID LT EDGE LINE	SOUTHBOUND ON RAMP	SOLID LT EDGE LINE
<u>REST AREA:</u>			
SOUTHBOUND OFF RAMP	SOLID LT EDGE LINE	SOUTHBOUND OFF RAMP	SOLID LT EDGE LINE
SOUTHBOUND ON RAMP	SOLID LT EDGE LINE	SOUTHBOUND ON RAMP	SOLID LT EDGE LINE

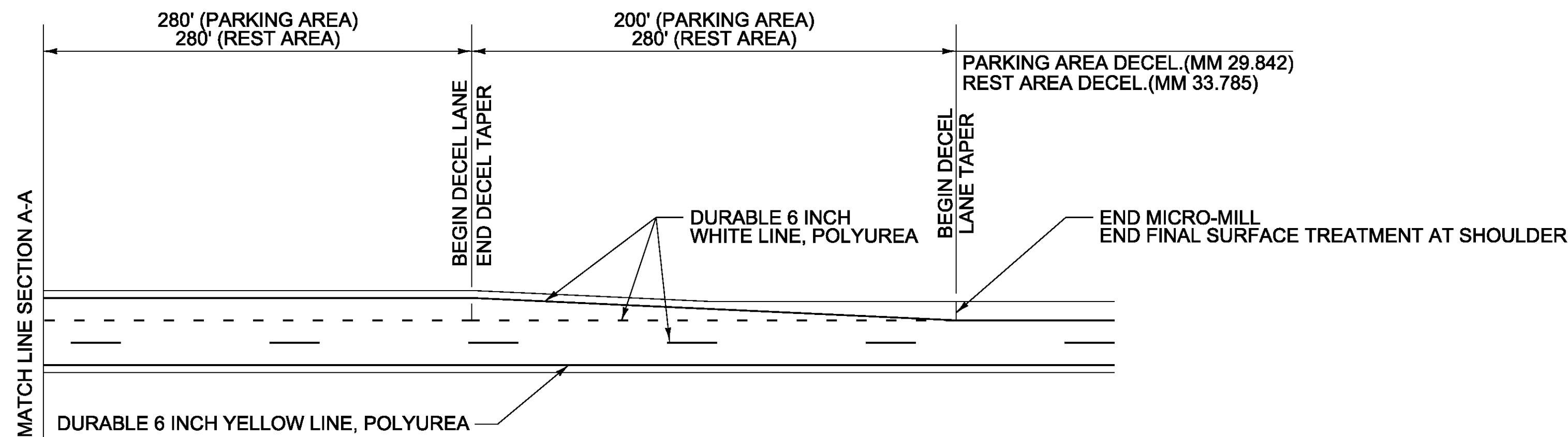
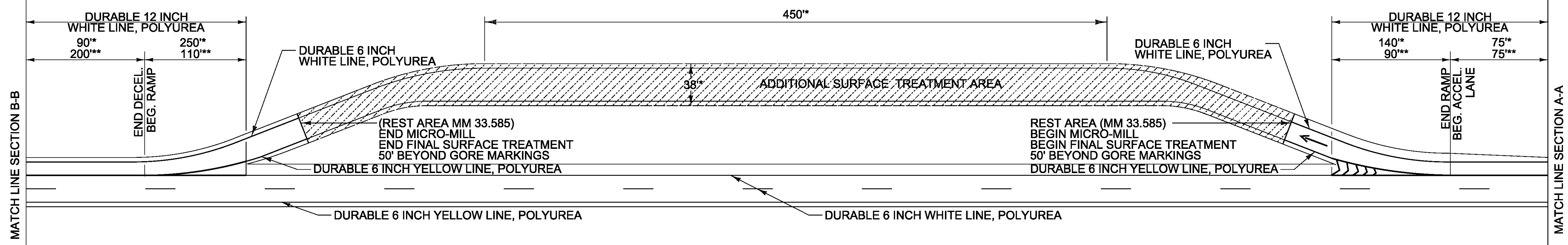
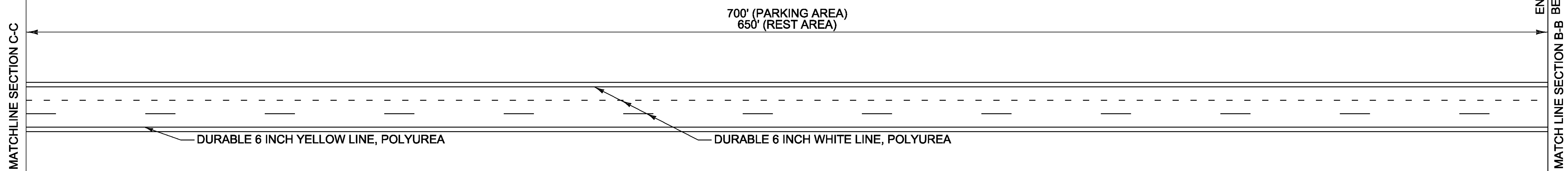
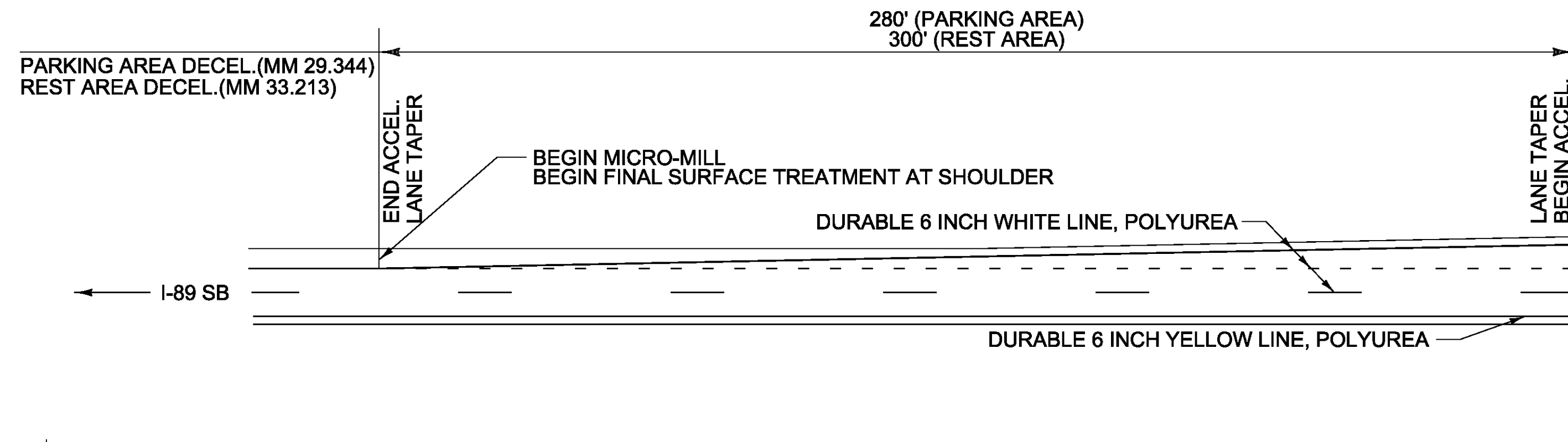
<u>DURABLE 12 INCH WHITE LINE, POLYUREA</u>		<u>DURABLE 12 INCH WHITE LINE, POLYUREA</u>	
PARKING AREA/REST AREA			
SOUTHBOUND OFF RAMP	SOLID LT GORE AREA	SOUTHBOUND OFF RAMP	SOLID LT GORE AREA
INTERSTATE 89	SOLID LT GORE AREA	INTERSTATE 89	SOLID LT GORE AREA
SOUTHBOUND ON RAMP	SOLID LT GORE AREA	SOUTHBOUND ON RAMP	SOLID LT GORE AREA
INTERSTATE 89	SOLID LT GORE AREA	INTERSTATE 89	SOLID LT GORE AREA

DURABLE LETTER OR SYMBOL, POLYUREA

<u>PARKING AREA:</u>			
SB OFF RAMP	WRONG WAY ARROW	(1 EA)	
<u>REST AREA:</u>			
SB OFF RAMP	WRONG WAY ARROW	(1 EA)	

TEMPORARY LETTER OR SYMBOL, PAINT

<u>PARKING AREA:</u>			
SB OFF RAMP	WRONG WAY ARROW	(1 EA)	
<u>REST AREA:</u>			
SB OFF RAMP	WRONG WAY ARROW	(1 EA)	



**KEY**

*	PARKING AREA DIMENSION
**	REST AREA DIMENSION
	PARKING AREA SURFACE TREATMENT AREA

PROJECT NAME:	BETHEL-BROOKFIELD
PROJECT NUMBER:	IM SURF(54)
FILE NAME:	pl4v206wrk.dgn
PROJECT LEADER:	M. FOWLER
DESIGNED BY:	B. KIPP
PAVEMENT MARKING DETAIL SHEET 5	
PLOT DATE:	2/17/2015
DRAWN BY:	B. KIPP
CHECKED BY:	
SHEET	15 OF 22

**NOT TO SCALE**