

DURABLE 6 INCH WHITE LINE, POLYUREA
 RAMP A:
 STA. A1+00.0 - STA. A21+02.0 (EDGE LINE RT)
 STA. A13+00.0 - STA. A21+02.0 (DOTTED LANE LINE LT)

RAMP B:
 STA. B1+00.0 - STA. B21+32.0 (EDGE LINE RT)
 STA. B1+00.0 - STA. B6+80.0 (DOTTED LANE LINE LT)

DURABLE 6 INCH YELLOW LINE, POLYUREA
 RAMP A:
 STA. A1+00.0 - STA. A8+88.0 (EDGE LINE LT)

RAMP B:
 STA. B8+50.0 - STA. B21+32.0 (EDGE LINE LT)

DURABLE 12 INCH WHITE LINE, POLYUREA
 RAMP A:
 STA. A8+88.0 - STA. A13+15.0 (SOLID GORE LINES LT)

RAMP B:
 STA. B6+45.0 - STA. B8+25.0 (SOLID GORE LINES LT)
 STA. B7+15.0 - STA. B8+25.0 (GORE HATCHING LT)

TEMPORARY 6 INCH WHITE LINE, PAINT
 RAMP A:
 STA. A1+00.0 - STA. A21+02.0 (EDGE LINE RT)
 STA. A13+00.0 - STA. A21+02.0 (DOTTED LANE LINE LT)

RAMP B:
 STA. B1+00.0 - STA. B21+32.0 (EDGE LINE RT)
 STA. B1+00.0 - STA. B6+80.0 (DOTTED LANE LINE LT)

TEMPORARY 6 INCH YELLOW LINE, PAINT
 RAMP A:
 STA. A1+00.0 - STA. A8+88.0 (EDGE LINE LT)

RAMP B:
 STA. B8+50.0 - STA. B21+32.0 (EDGE LINE LT)

TEMPORARY 12 INCH WHITE LINE, PAINT
 RAMP A:
 STA. A8+88.0 - STA. A13+15.0 (SOLID GORE LINES LT)

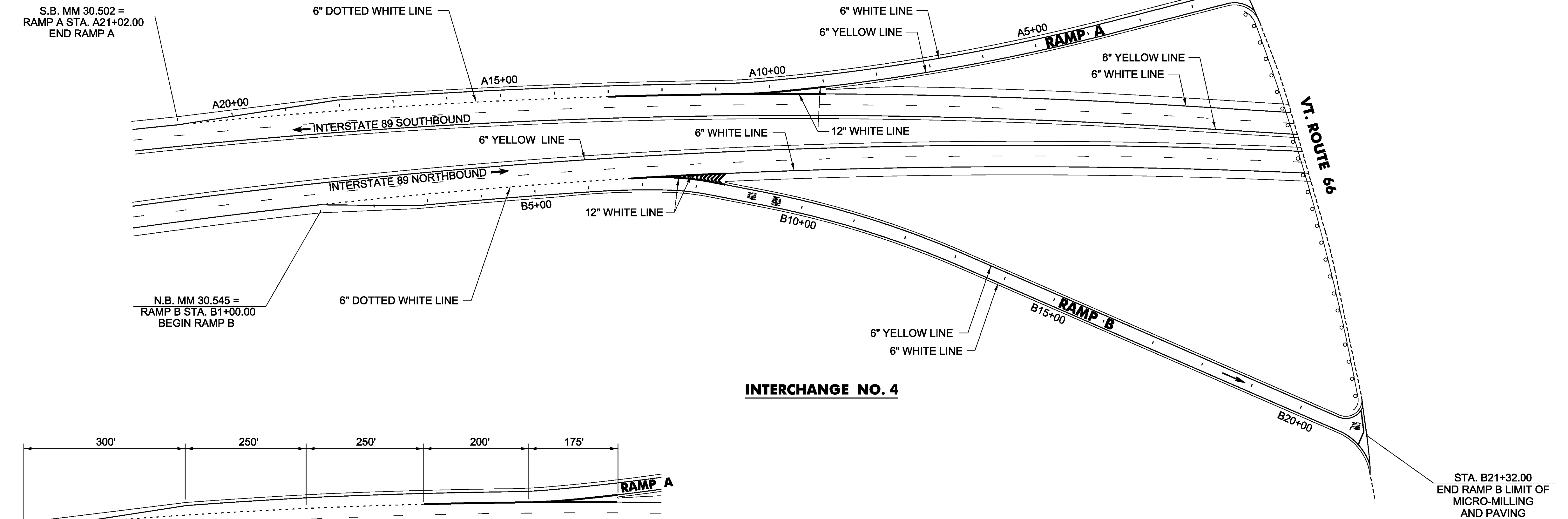
RAMP B:
 STA. B6+45.0 - STA. B8+25.0 (SOLID GORE LINES LT)

DURABLE 24 INCH STOP BAR, POLYUREA
 RAMP B:
 STA. B21+25.0 LT/RT

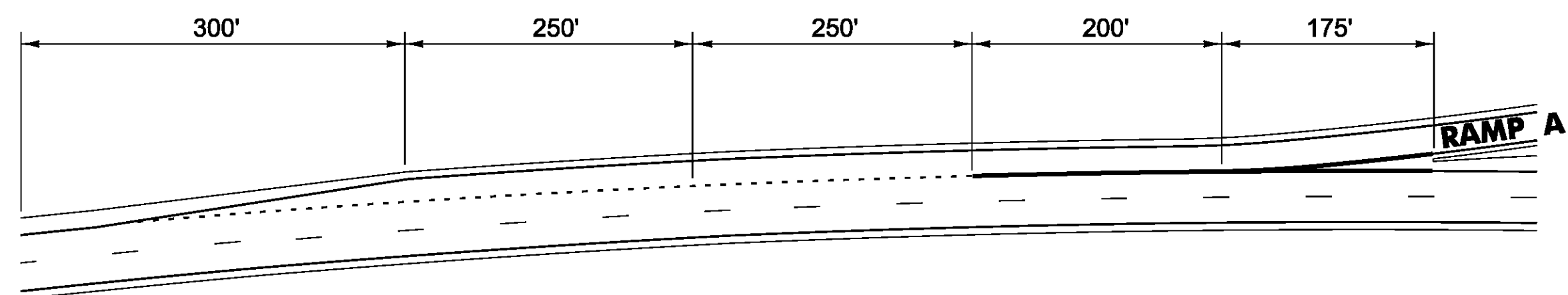
DURABLE LETTER OR SYMBOL, POLYUREA
 RAMP B:
 STA. B9+07.0 CL "STOP" (4 EA)
 STA. B9+47.0 CL "AHEAD" (5 EA)
 STA. B18+53.0 CL WRONG WAY ARROW (1 EA)
 STA. B21+20.0 CL "STOP" (4 EA)

TEMPORARY 24 INCH STOP BAR, PAINT
 RAMP B:
 STA. B21+25.0 LT/RT

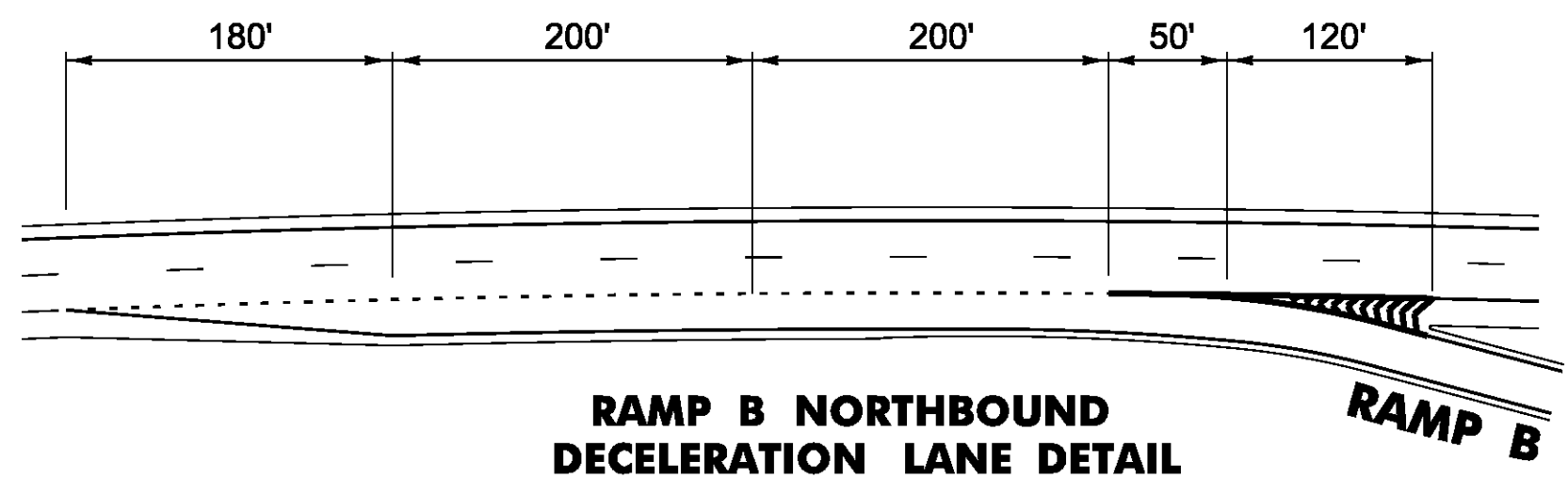
TEMPORARY LETTER OR SYMBOL, PAINT
 RAMP B:
 STA. B9+07.0 CL "STOP" (4 EA)
 STA. B9+47.0 CL "AHEAD" (5 EA)
 STA. B18+53.0 CL WRONG WAY ARROW (1 EA)
 STA. B21+20.0 CL "STOP" (4 EA)



INTERCHANGE NO. 4



**SOUTHBOUND RAMP A
ACCELERATION LANE DETAIL**



**RAMP B NORTHBOUND
DECELERATION LANE DETAIL**

PROJECT NAME: BETHEL-BROOKFIELD
 PROJECT NUMBER: IM SURF(54)

FILE NAME: pl4v206wrk.dgn PLOT DATE: 2/10/2015
 PROJECT LEADER: M. FOWLER DRAWN BY: B. KIPP
 DESIGNED BY: B. KIPP CHECKED BY:
 PAVEMENT MARKING DETAIL SHEET 2 SHEET 12 OF 22