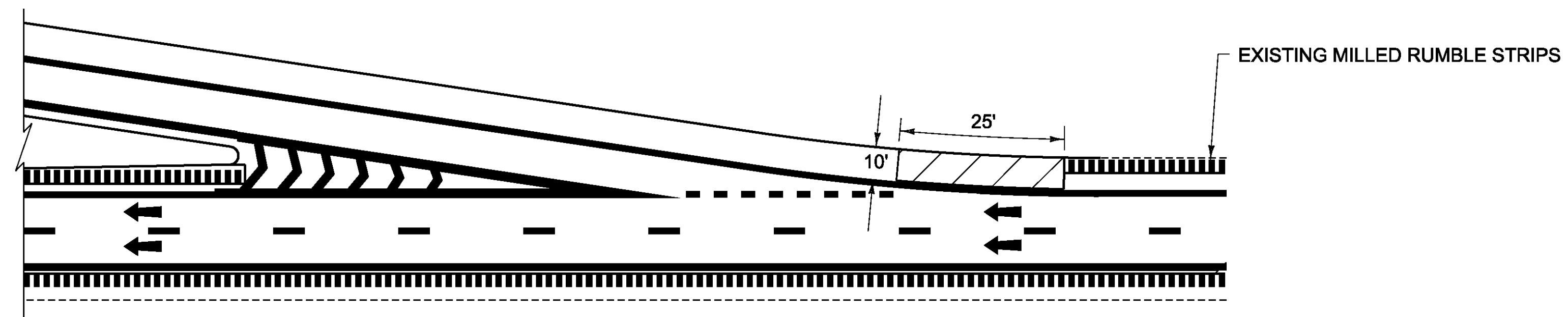
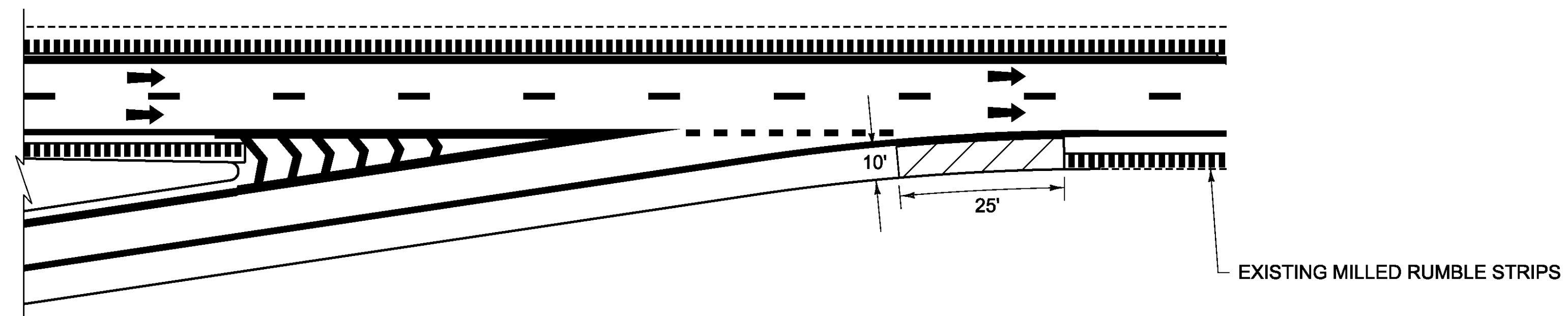


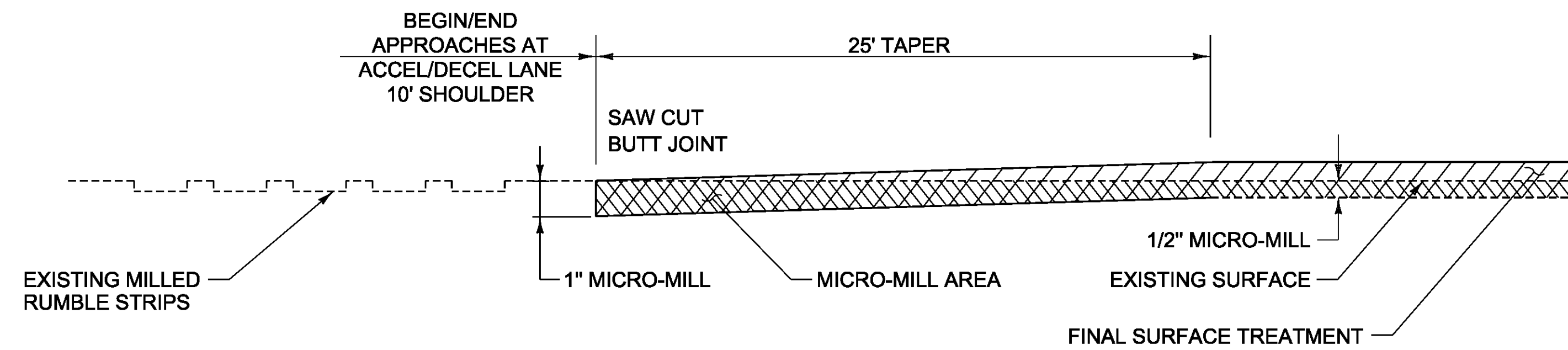
TYPICAL INTERCHANGE CONSTRUCTION DETAILS # 2



DECELERATION LANE

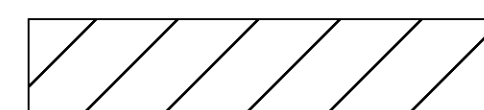


ACCELERATION LANE



TYPICAL APPROACH AREA DETAIL AT ACCEL/DECEL LANE 10 FT SHOULDER

LEGEND



AREA TO BE MICRO-MILLED



DIRECTION OF TRAFFIC FLOW



EXISTING MILLED RUMBLE STRIPS

NOT TO SCALE

PROJECT NAME: BETHEL-BROOKFIELD
PROJECT NUMBER: IM SURF(54)

FILE NAME: pl4v206wrk.dgn PLOT DATE: 2/18/2015
PROJECT LEADER: M. FOWLER DRAWN BY: B. KIPP
DESIGNED BY: B. KIPP CHECKED BY: PVT. MGT.
TYPICAL INTERCHANGE CONSTRUCTION DETAILS 2 SHEET 8 OF 22