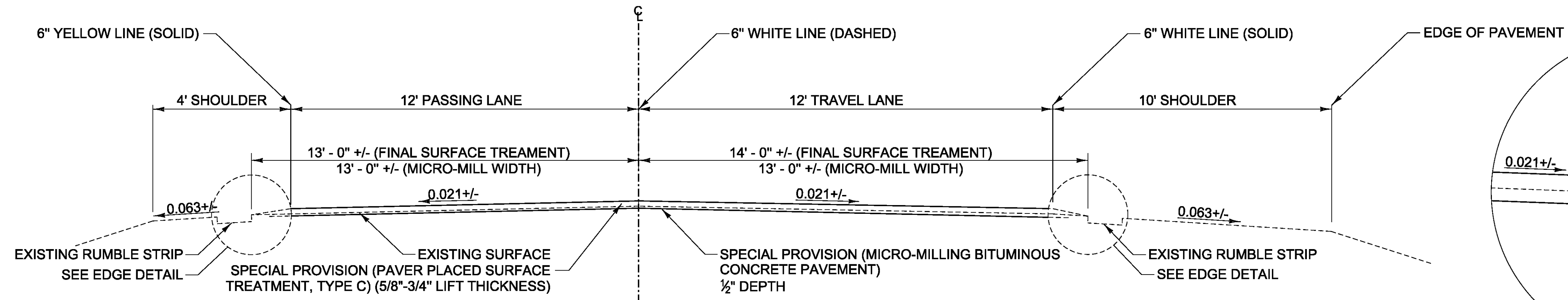
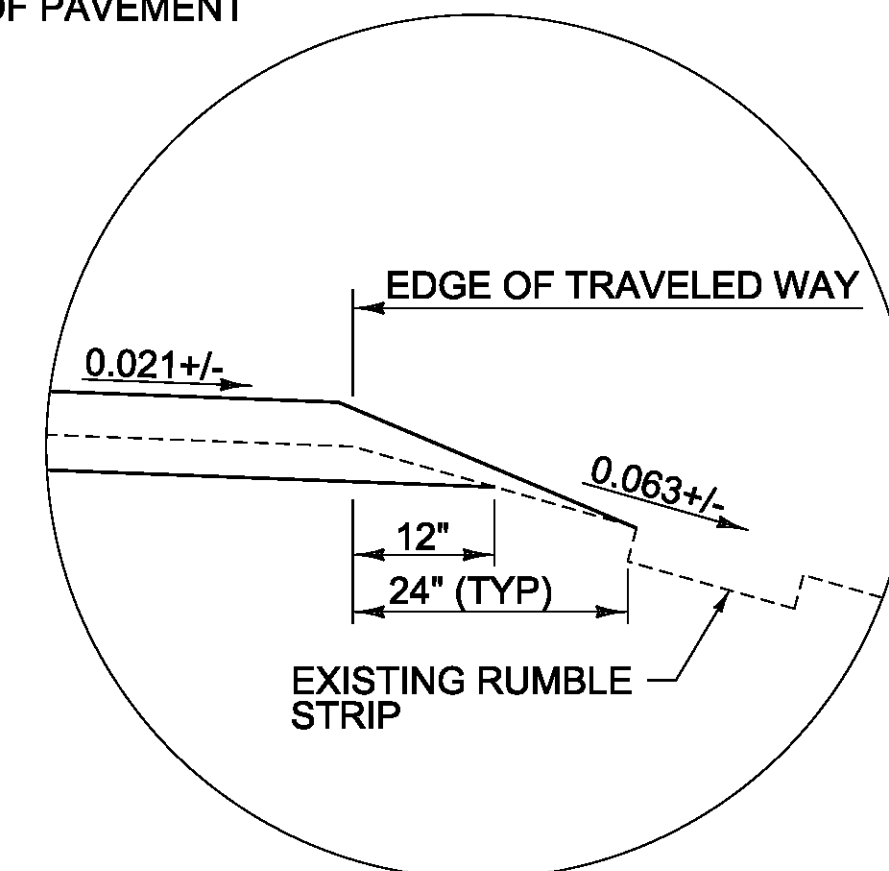


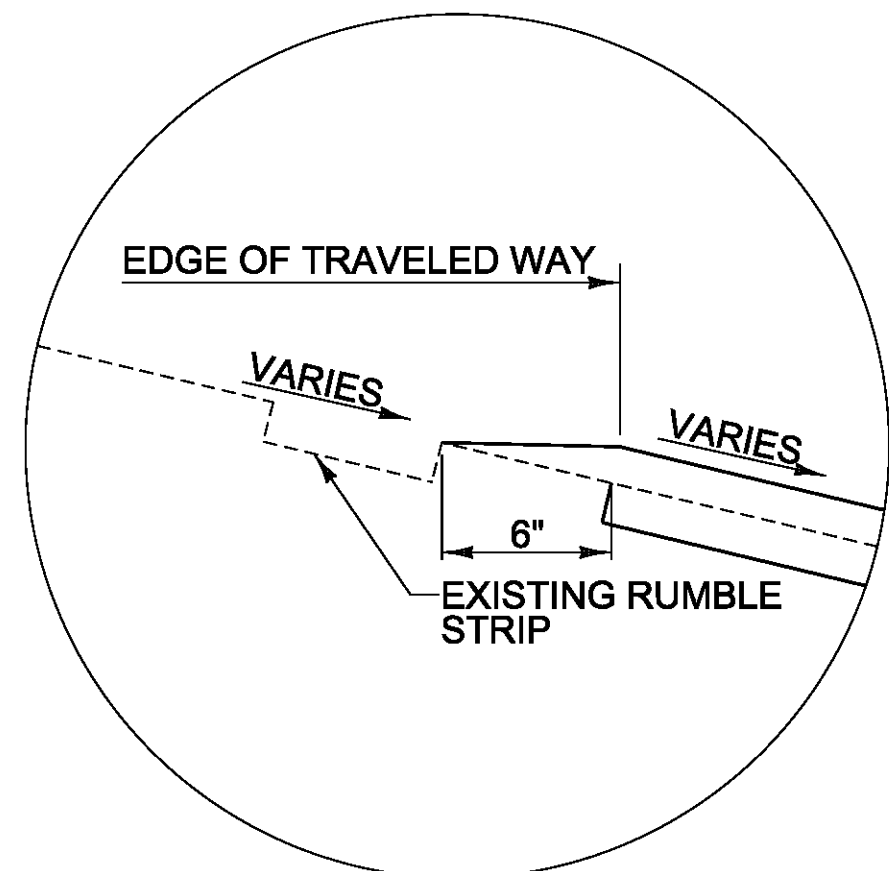
**EDGE DETAIL
NORMAL CROWN SECTION**



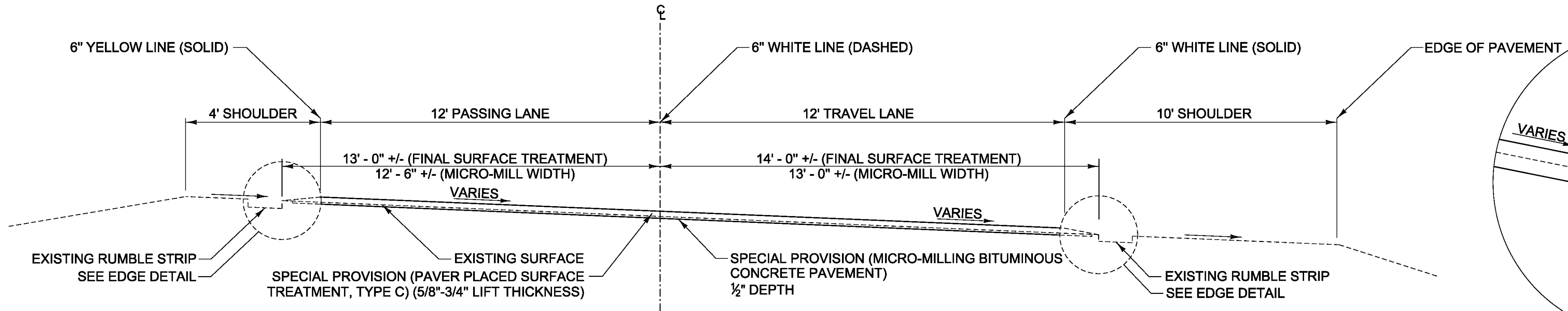
**ROADWAY TYPICAL NORMAL SECTION
ALTERNATE A
NOT TO SCALE**



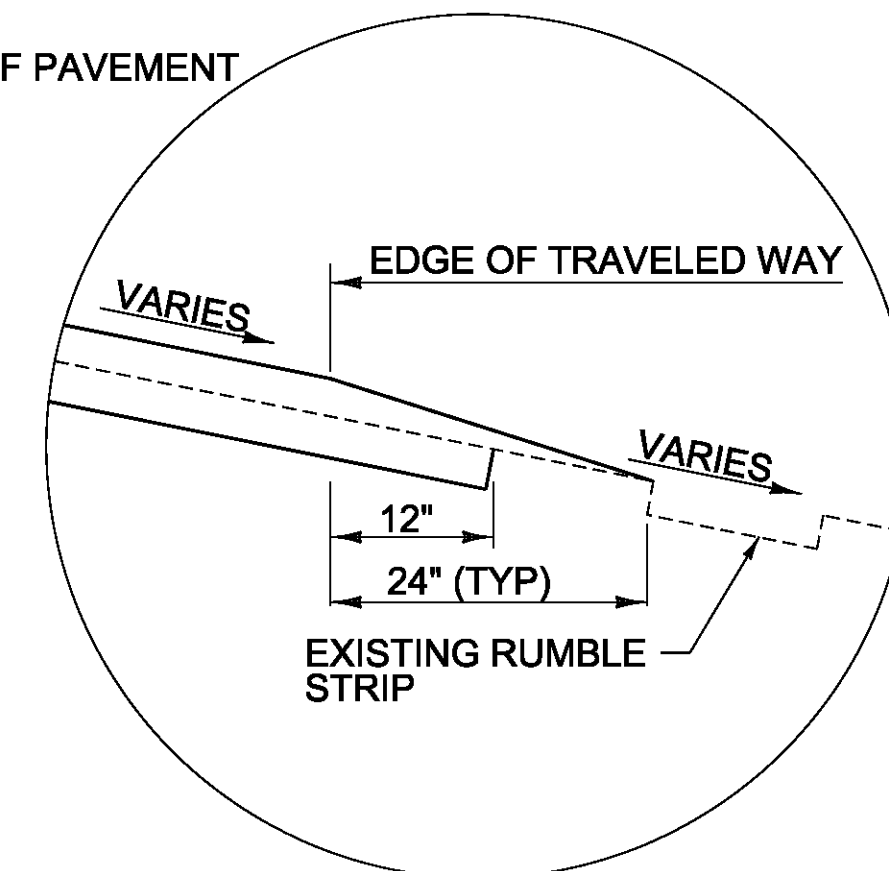
**EDGE DETAIL
NORMAL CROWN SECTION**



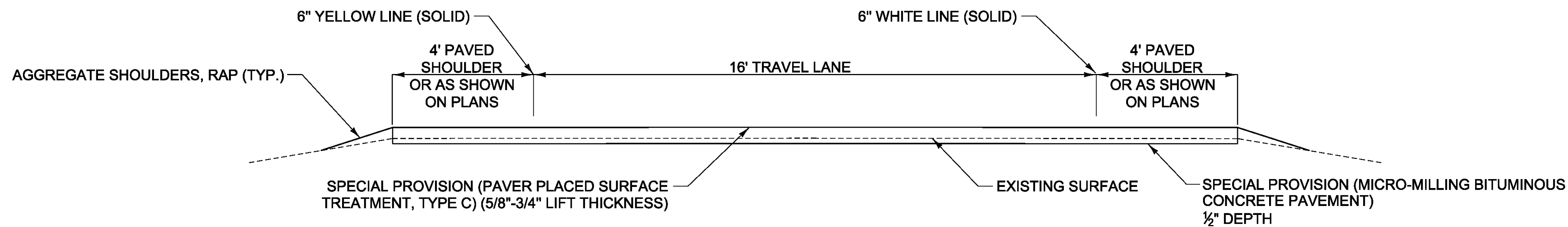
**EDGE DETAIL
MAX BANK SECTION**



**ROADWAY TYPICAL BANKED SECTION
ALTERNATE A
NOT TO SCALE**



**EDGE DETAIL
MAX BANK SECTION**



**TYPICAL RAMP SECTION
ALTERNATE A
NOT TO SCALE**

NOTE:

1. PERFORMANCE GRADED BINDER SHALL BE PG 58-28.

PROJECT NAME: BETHEL-BROOKFIELD
PROJECT NUMBER: IM SURF(54)

FILE NAME: pl4v206wrk.dgn
PROJECT LEADER: M. FOWLER
DESIGNED BY: B. KIPP
TYPICAL SECTIONS - ALTERNATE A

PLOT DATE: 2/17/2015
DRAWN BY: B. KIPP
CHECKED BY: M. FOWLER
SHEET 3 OF 22