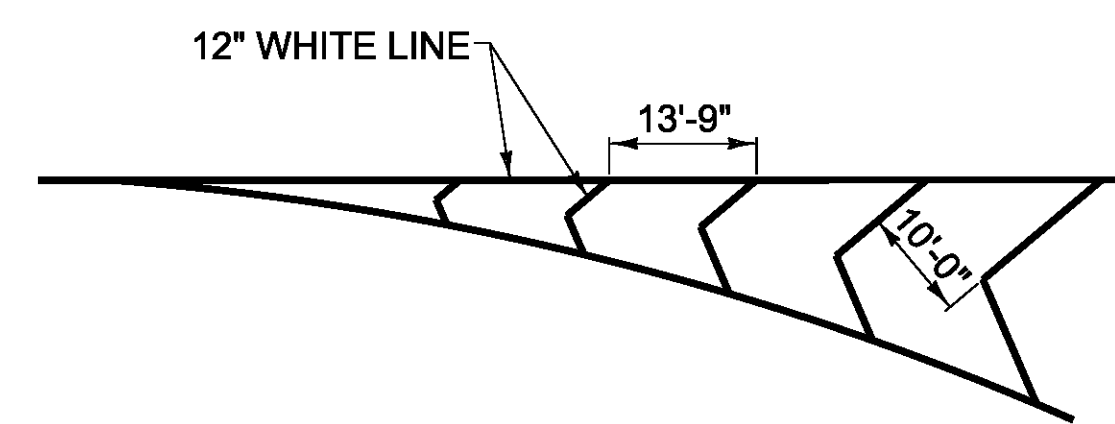


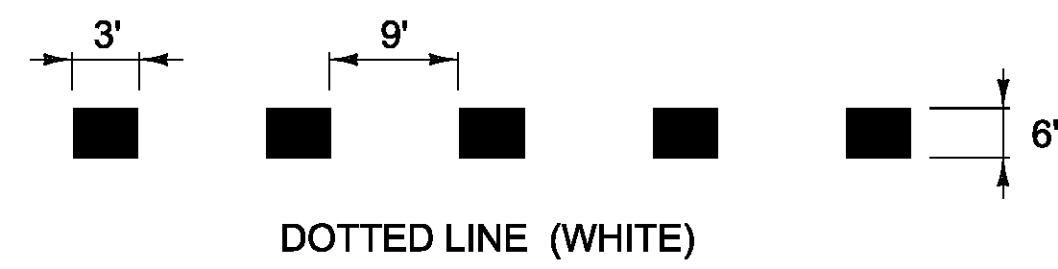
TYPICAL MAINLINE MARKING PLAN
NOT TO SCALE

LEGEND

← DIRECTION OF TRAFFIC FLOW



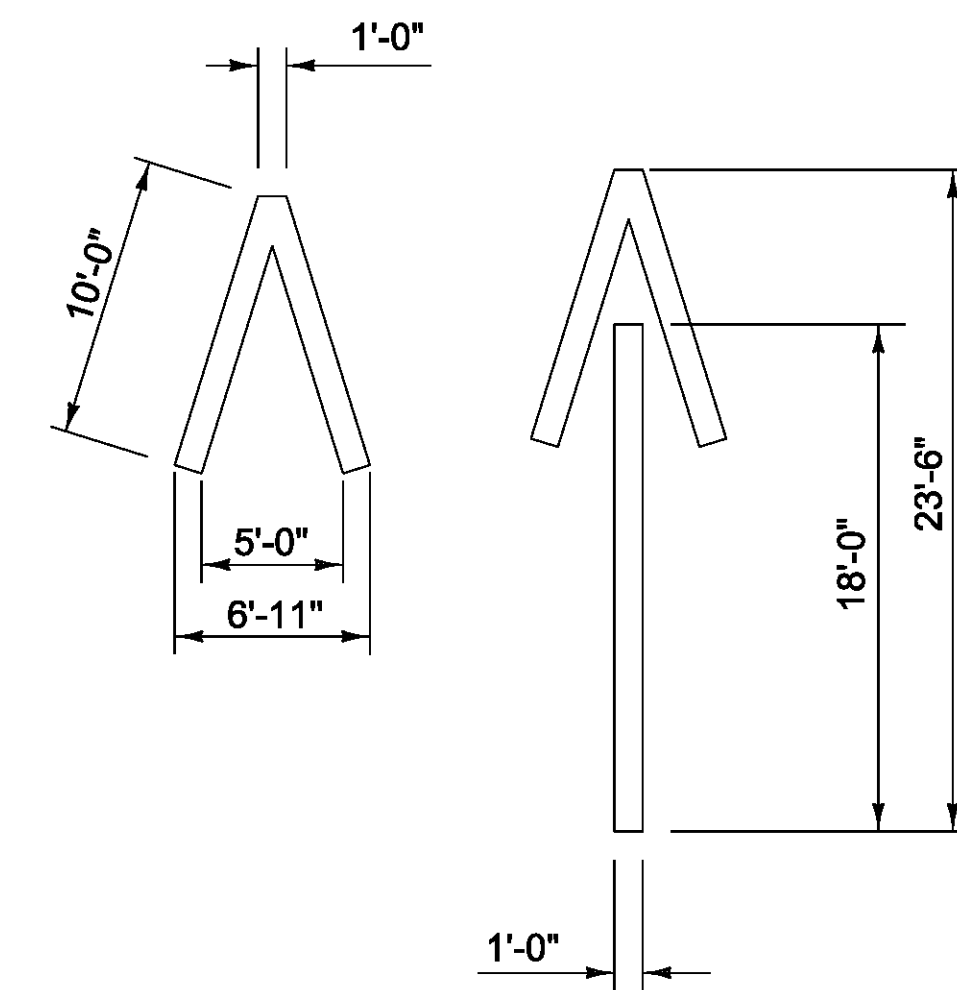
GORE MARKING DETAIL
NOT TO SCALE



PAVEMENT MARKING LINE DETAILS
NOT TO SCALE



STOP BAR DETAIL
NOT TO SCALE



WRONG WAY ARROW
NOT TO SCALE
MARKINGS TO BE PLACED AT EXISTING WRONG WAY SIGN

PROJECT NAME: BETHEL-BROOKFIELD
PROJECT NUMBER: IM SURF(54)

FILE NAME: pl4v206wrk.dgn
PROJECT LEADER: M. FOWLER
DESIGNED BY: B. KIPP
PAVEMENT MARKING DETAIL SHEET 6

PLOT DATE: 2/10/2015
DRAWN BY: B. KIPP
CHECKED BY: M. FOWLER
SHEET 16 OF 22