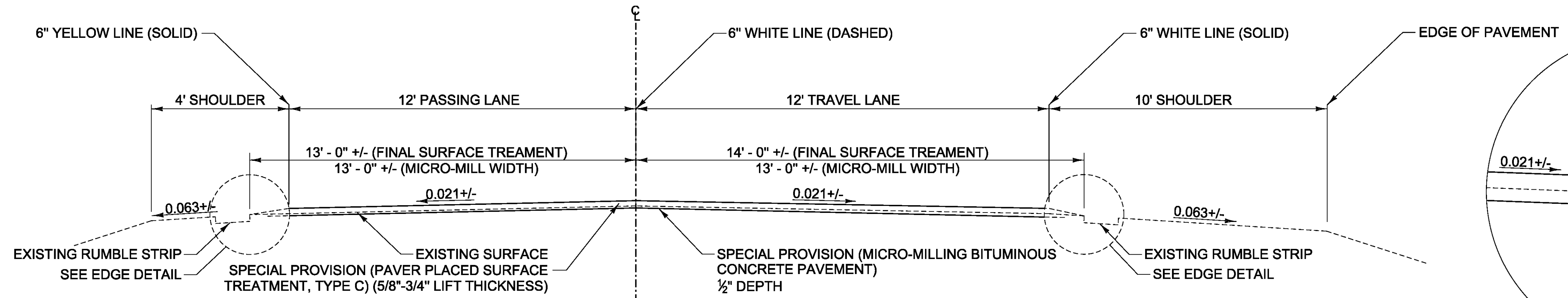
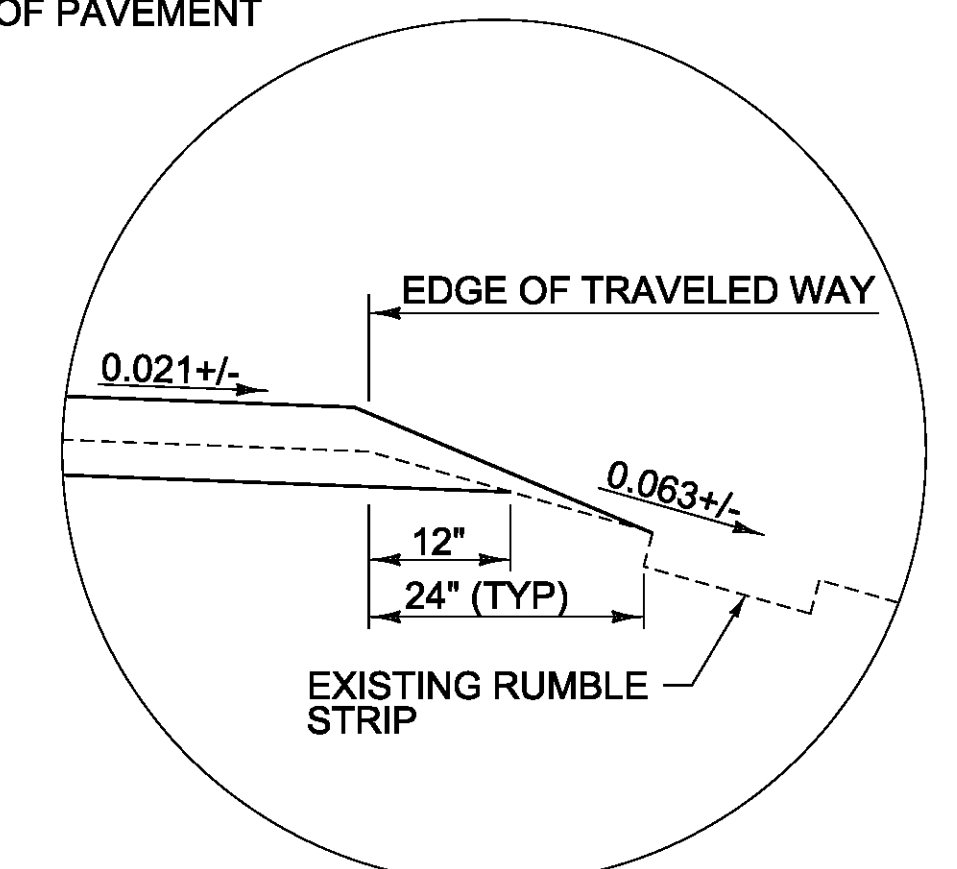


**EDGE DETAIL  
NORMAL CROWN SECTION**

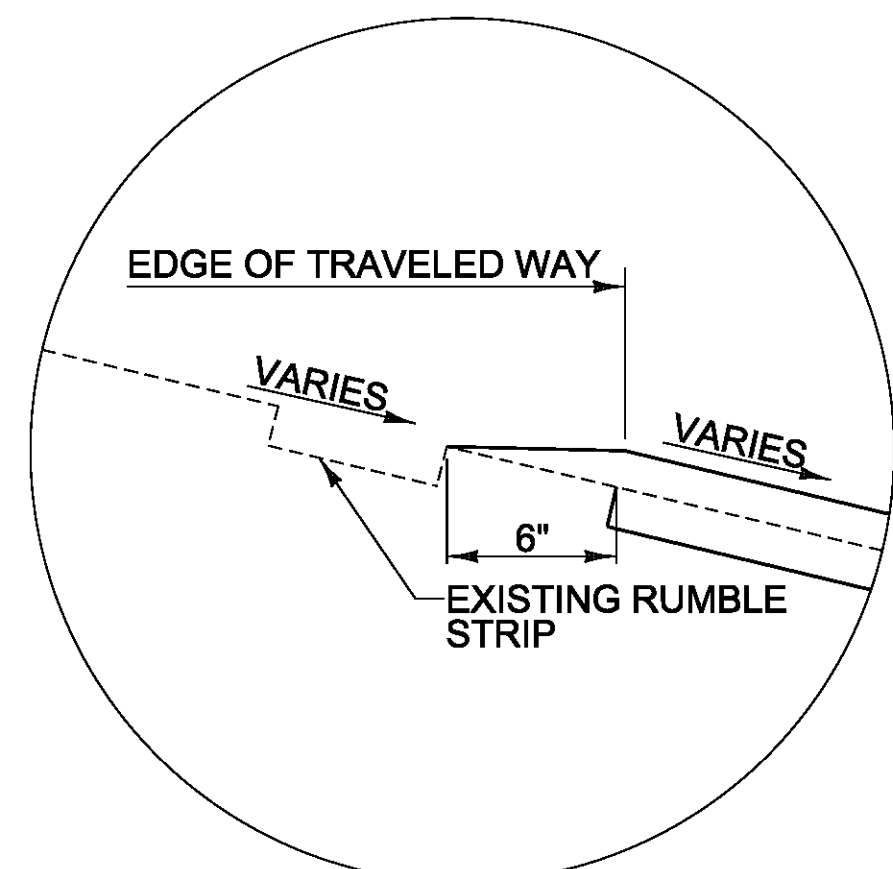


**ROADWAY TYPICAL NORMAL SECTION**

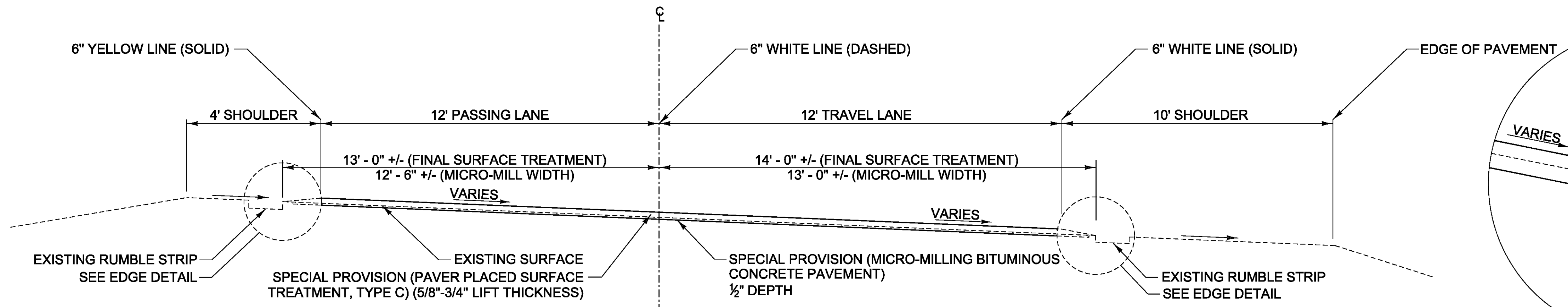
**ALTERNATE A  
NOT TO SCALE**



**EDGE DETAIL  
NORMAL CROWN SECTION**

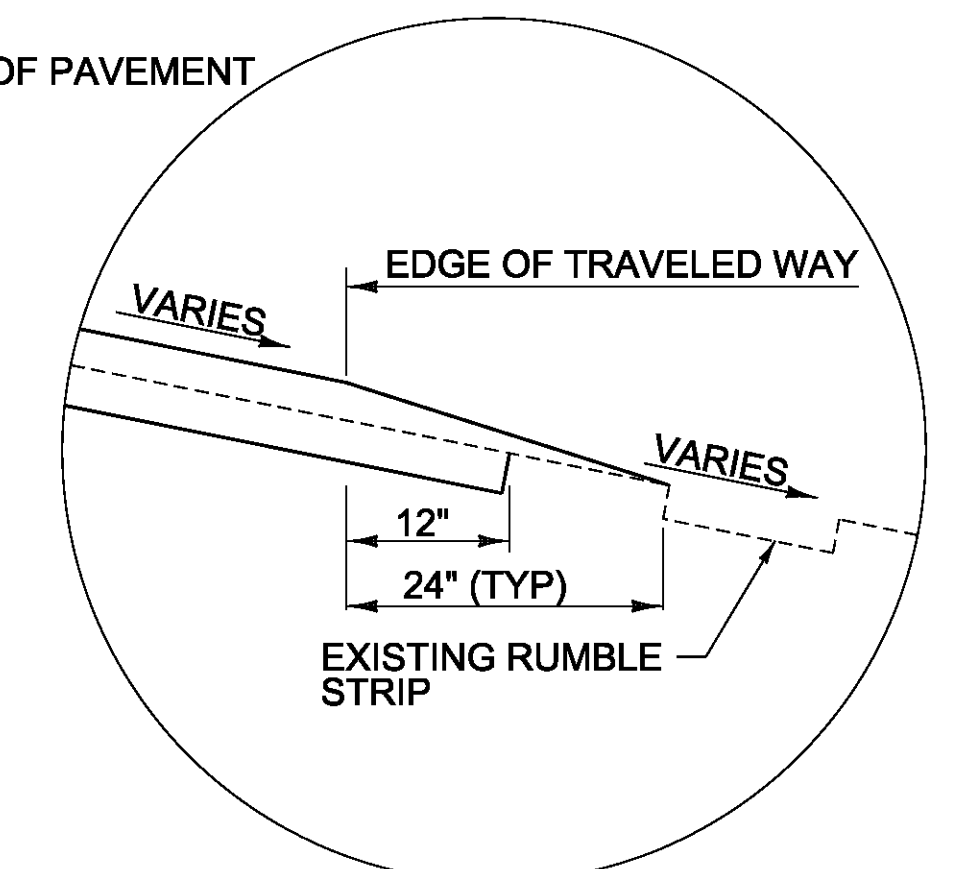


**EDGE DETAIL  
MAX BANK SECTION**

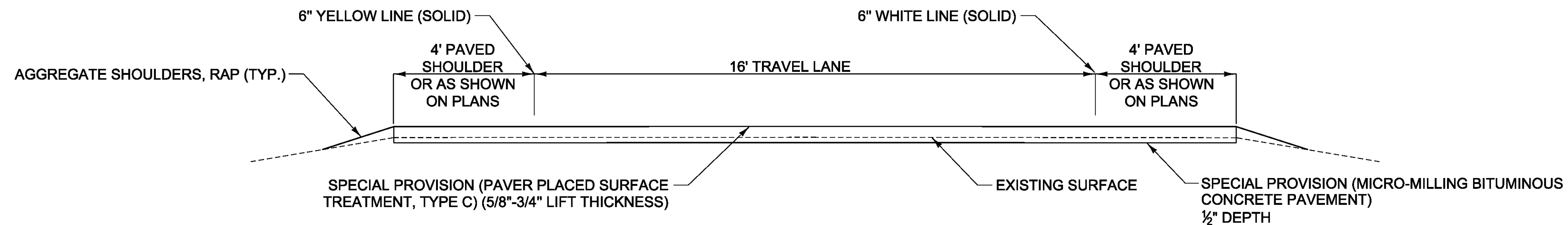


**ROADWAY TYPICAL BANKED SECTION**

**ALTERNATE A  
NOT TO SCALE**



**EDGE DETAIL  
MAX BANK SECTION**



**TYPICAL RAMP SECTION**

**ALTERNATE A  
NOT TO SCALE**

NOTE:  
1. PERFORMANCE GRADED BINDER SHALL BE PG 58-28.

PROJECT NAME: BETHEL-BROOKFIELD	PLOT DATE: 2/17/2015
PROJECT NUMBER: IM SURF(54)	DRAWN BY: B. KIPP
FILE NAME: pl4v206wrk.dgn	CHECKED BY: M. FOWLER
PROJECT LEADER: M. FOWLER	SHEET 3 OF 22
DESIGNED BY: B. KIPP	TYPICAL SECTIONS - ALTERNATE A