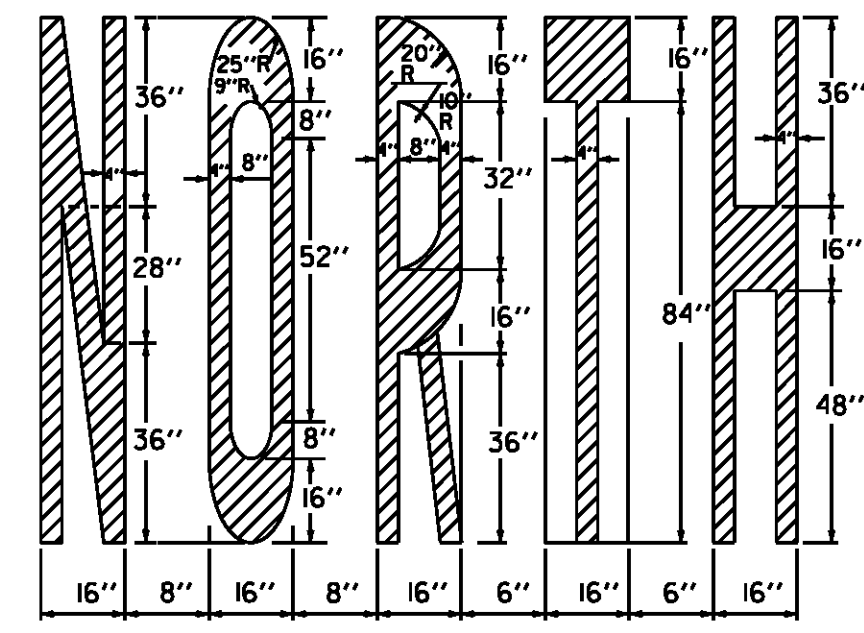
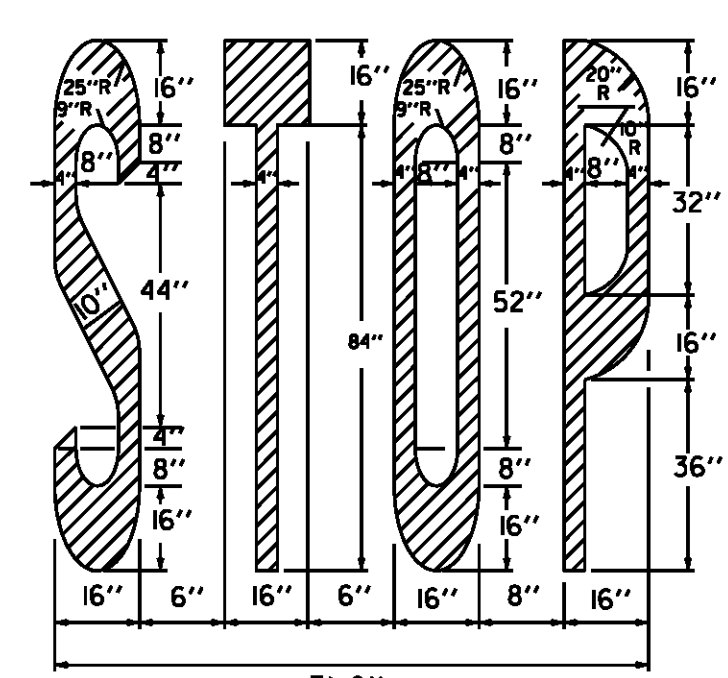


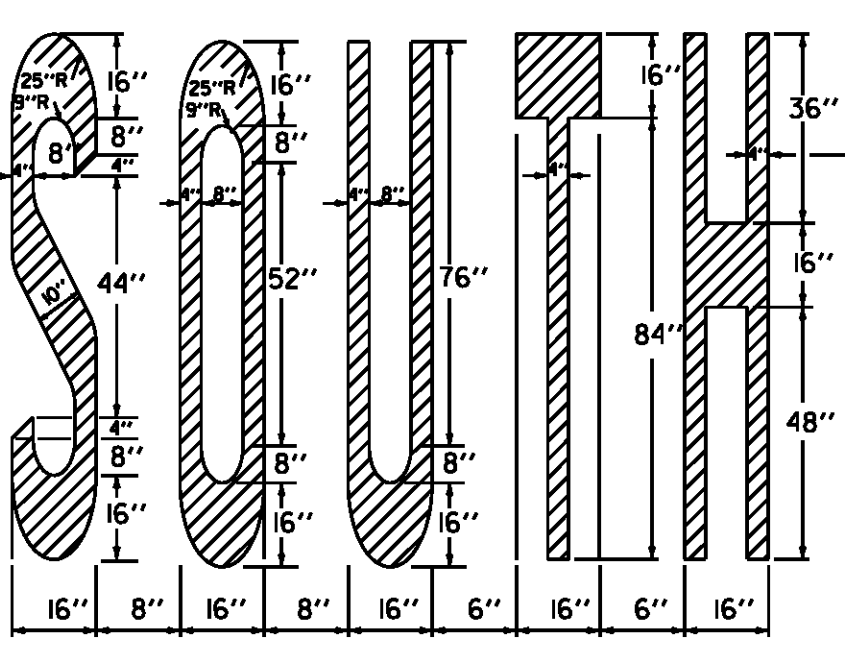
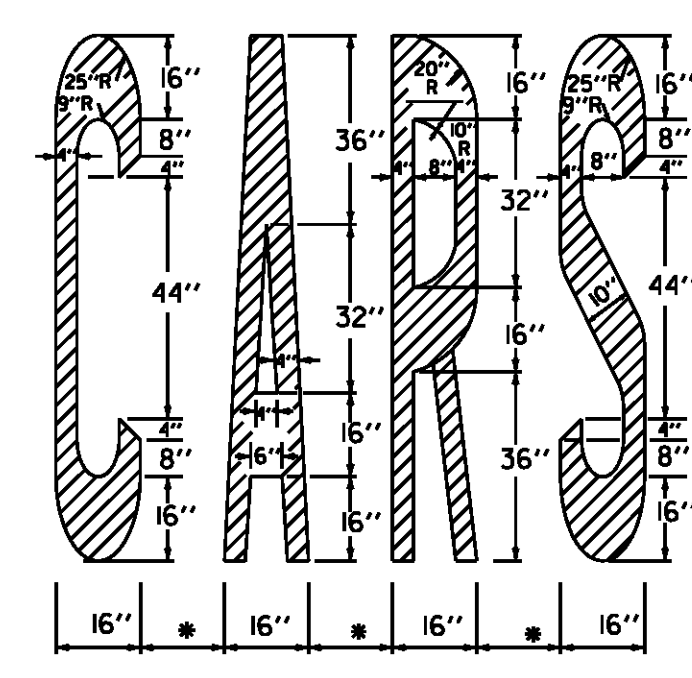
TYPICAL PAVEMENT MARKINGS



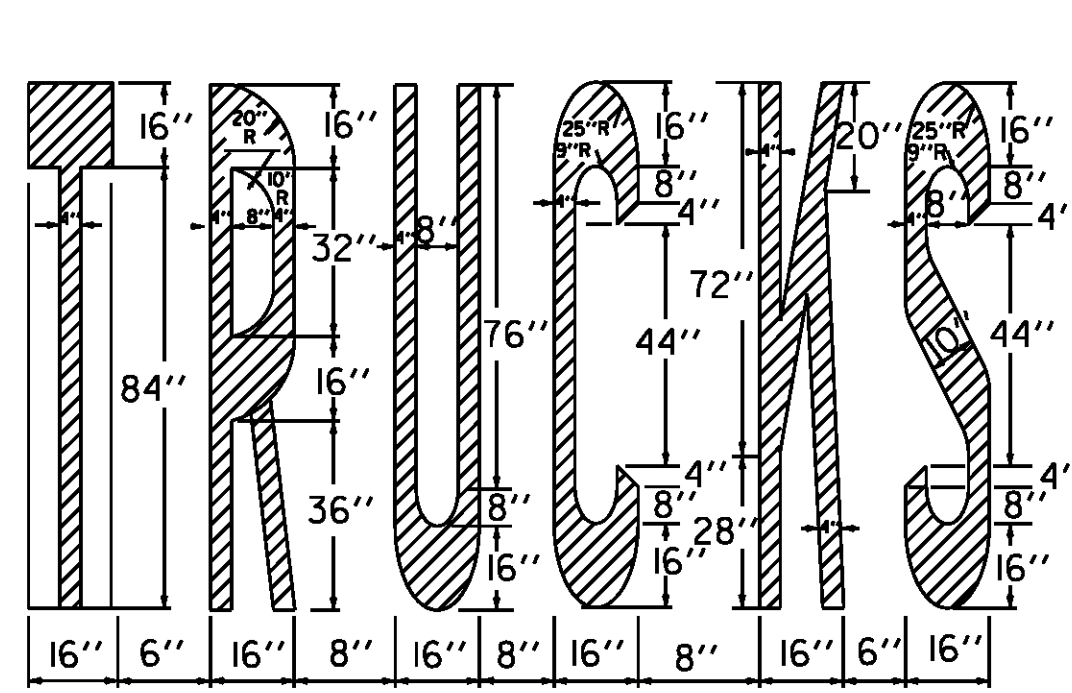
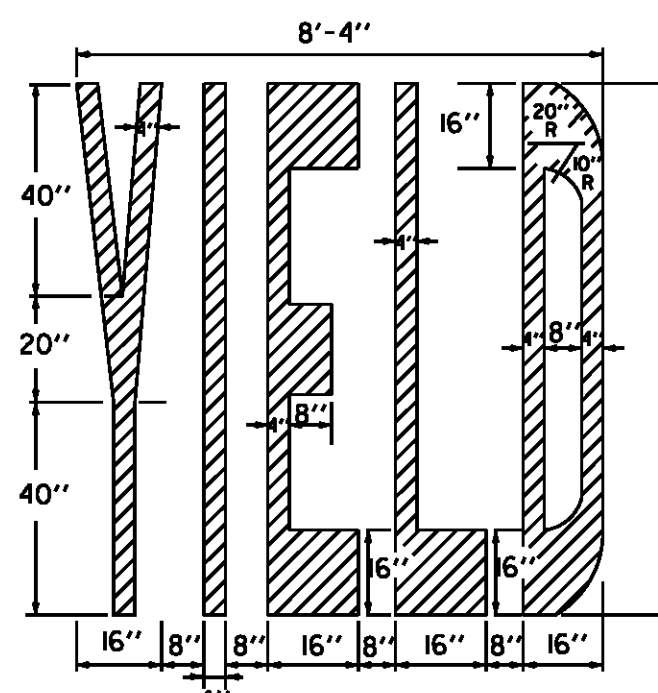
ADJUST TO AVAILABLE PAVEMENT WIDTH



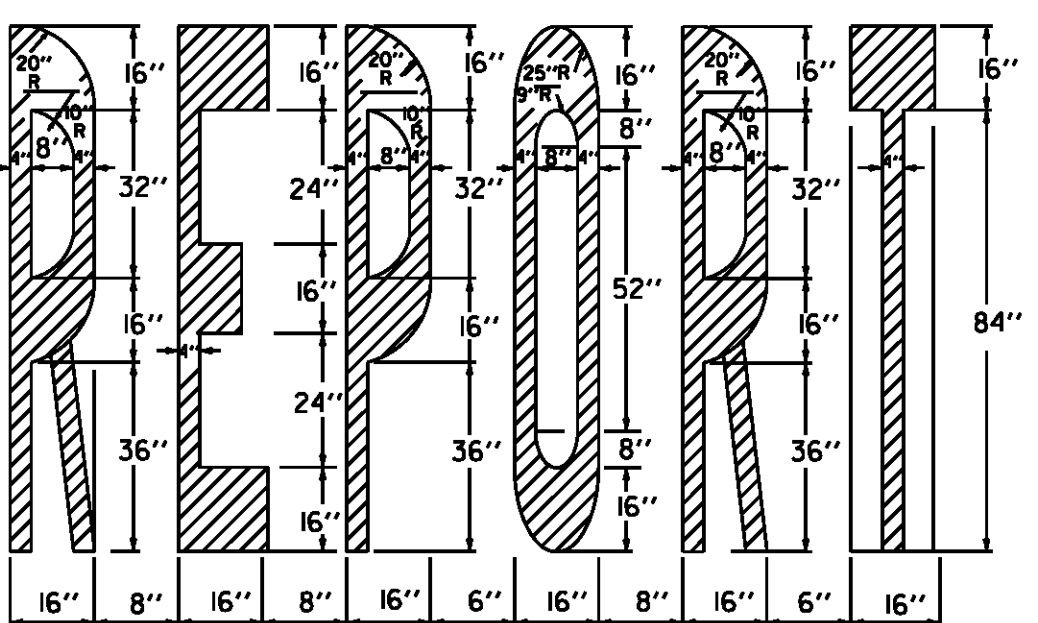
(• 6'') - ADJUST TO AVAILABLE PAVEMENT WIDTH



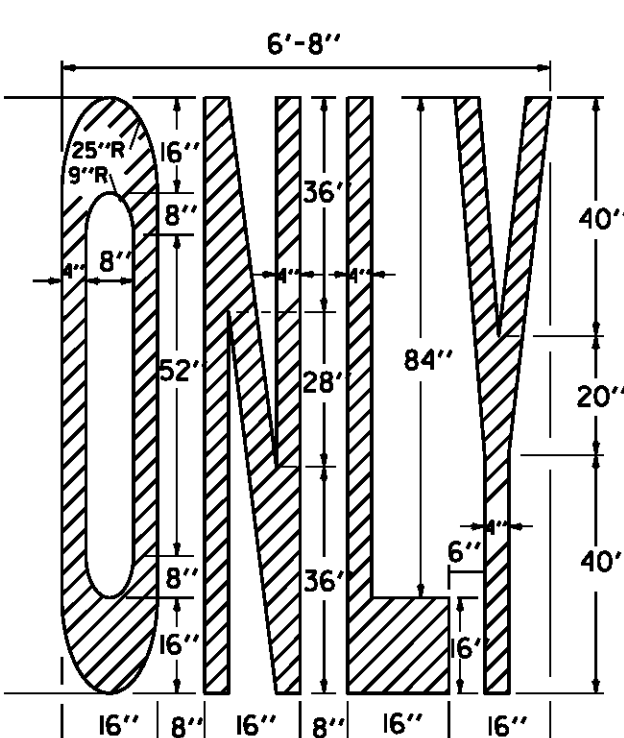
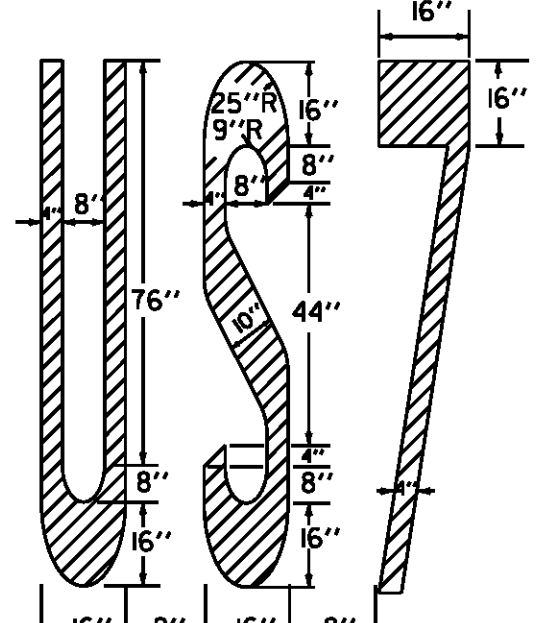
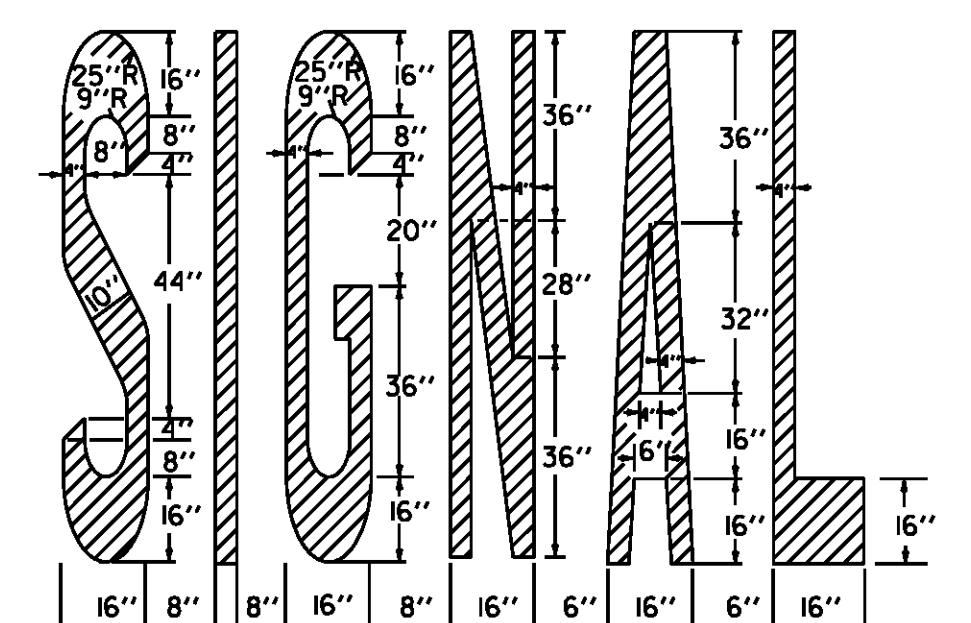
ADJUST TO AVAILABLE PAVEMENT WIDTH



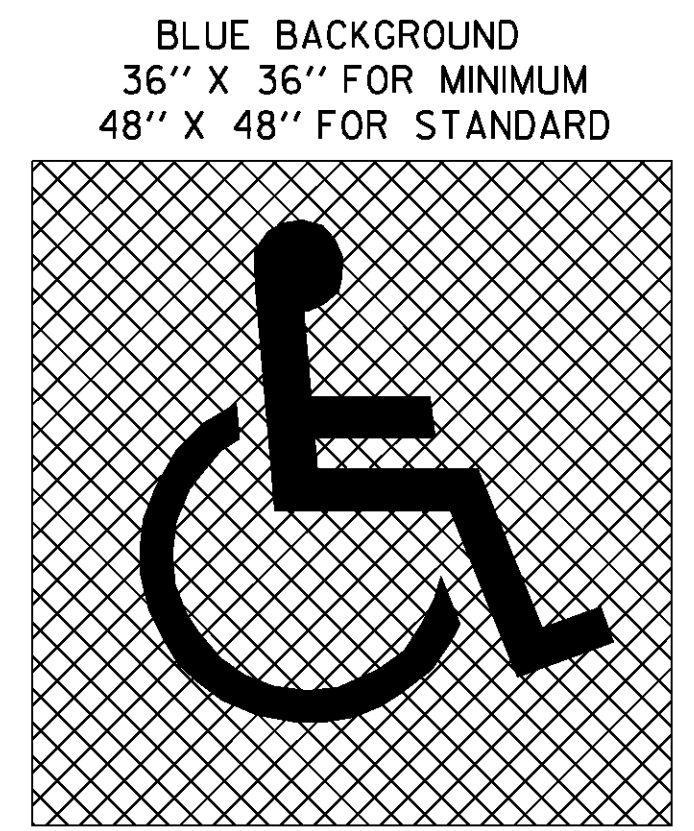
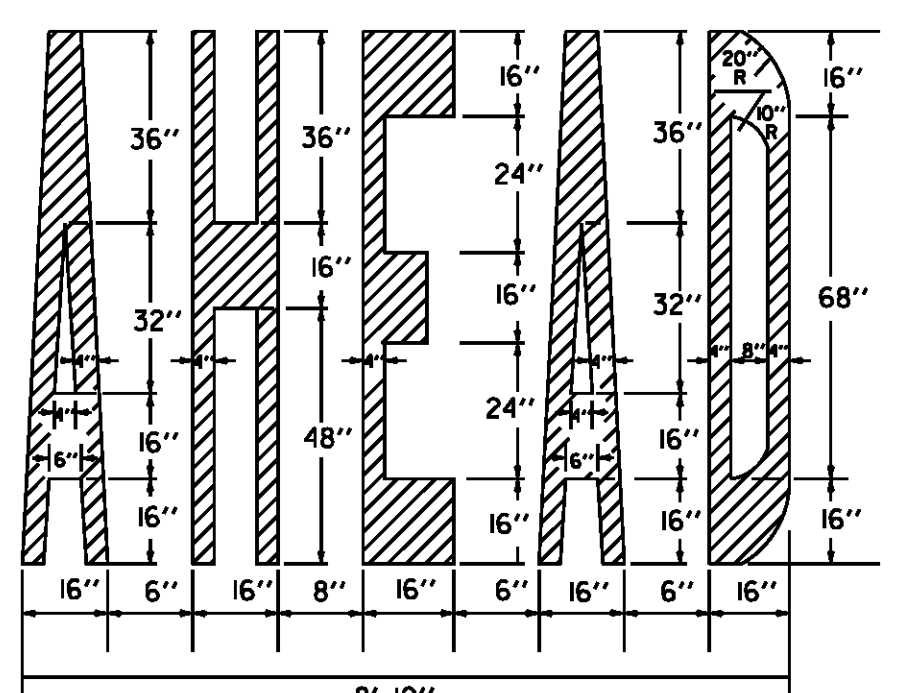
ADJUST TO AVAILABLE PAVEMENT WIDTH



ADJUST TO AVAILABLE PAVEMENT WIDTH

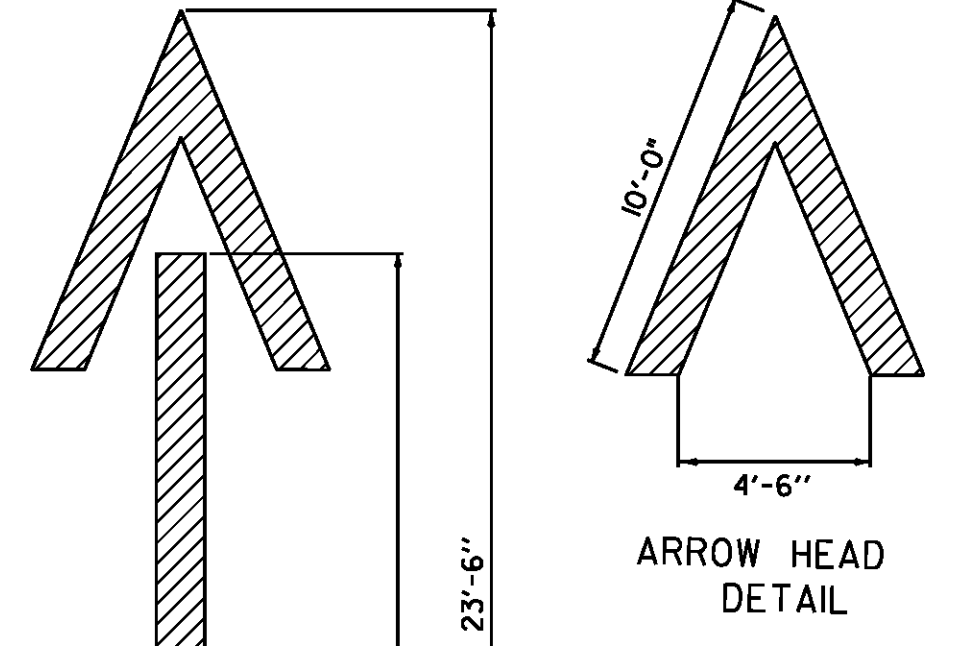
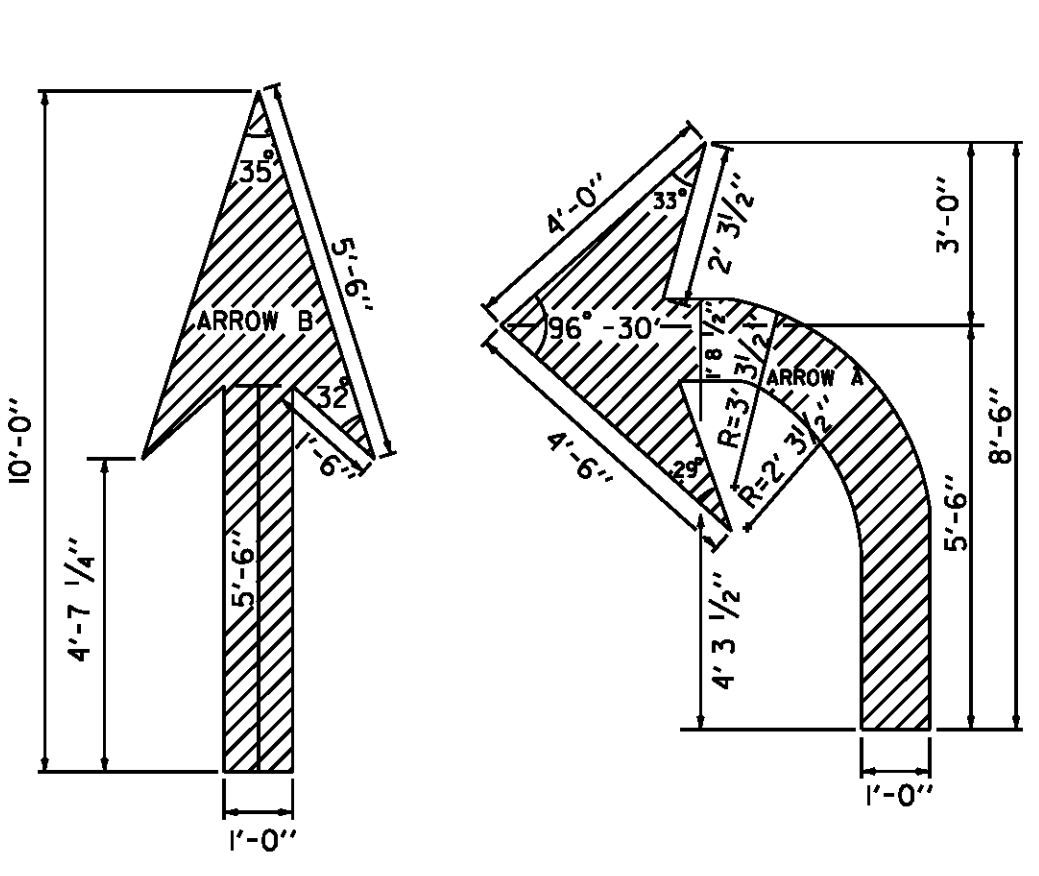


PAVEMENT MARKING DETAILS

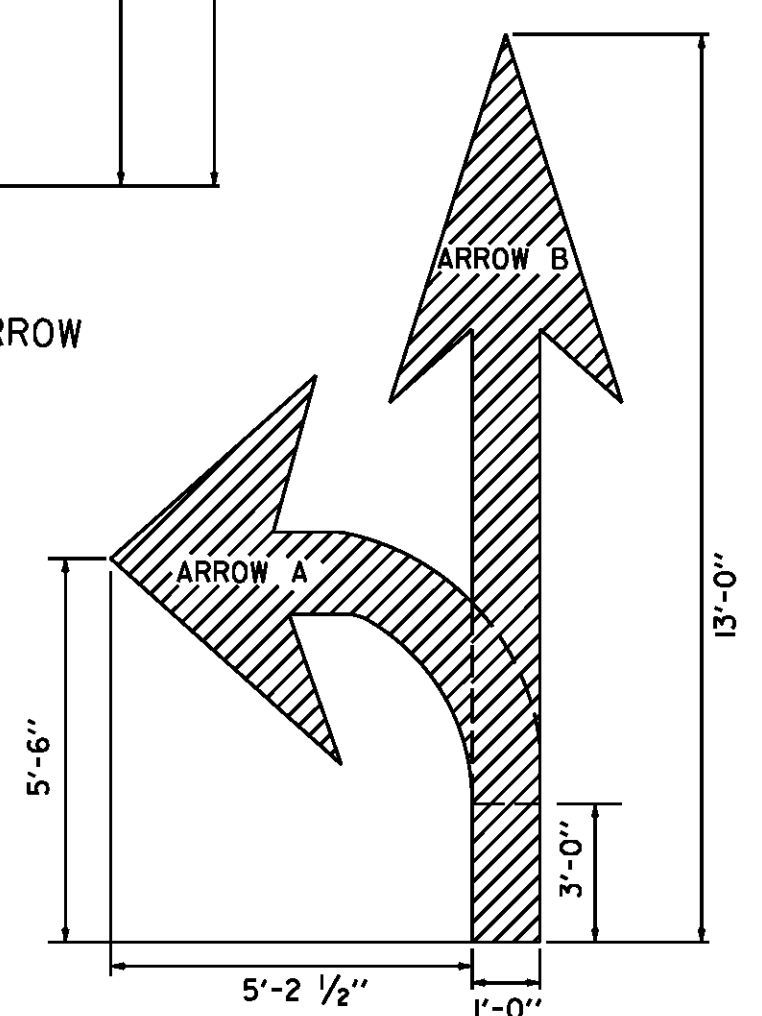


WIDTH OF SYMBOL MINIMUM 24''
STANDARD 36''

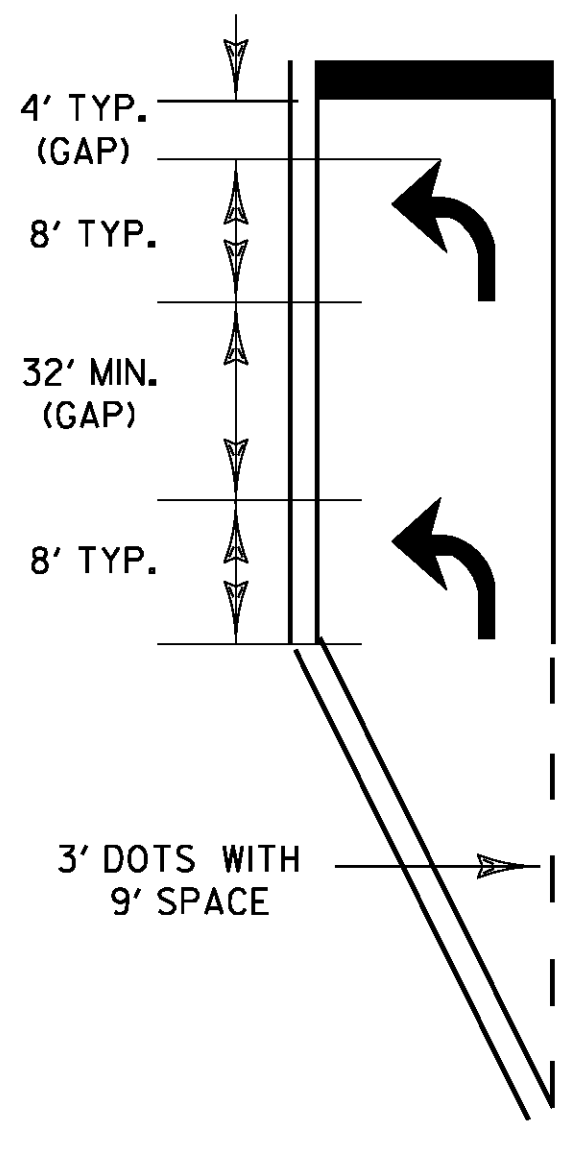
HANDICAPPED SYMBOL WITH BLUE BACKGROUND TO BE PAID AS TWO SYMBOLS
WITHOUT BLUE BACKGROUND TO BE PAID AS ONE SYMBOL



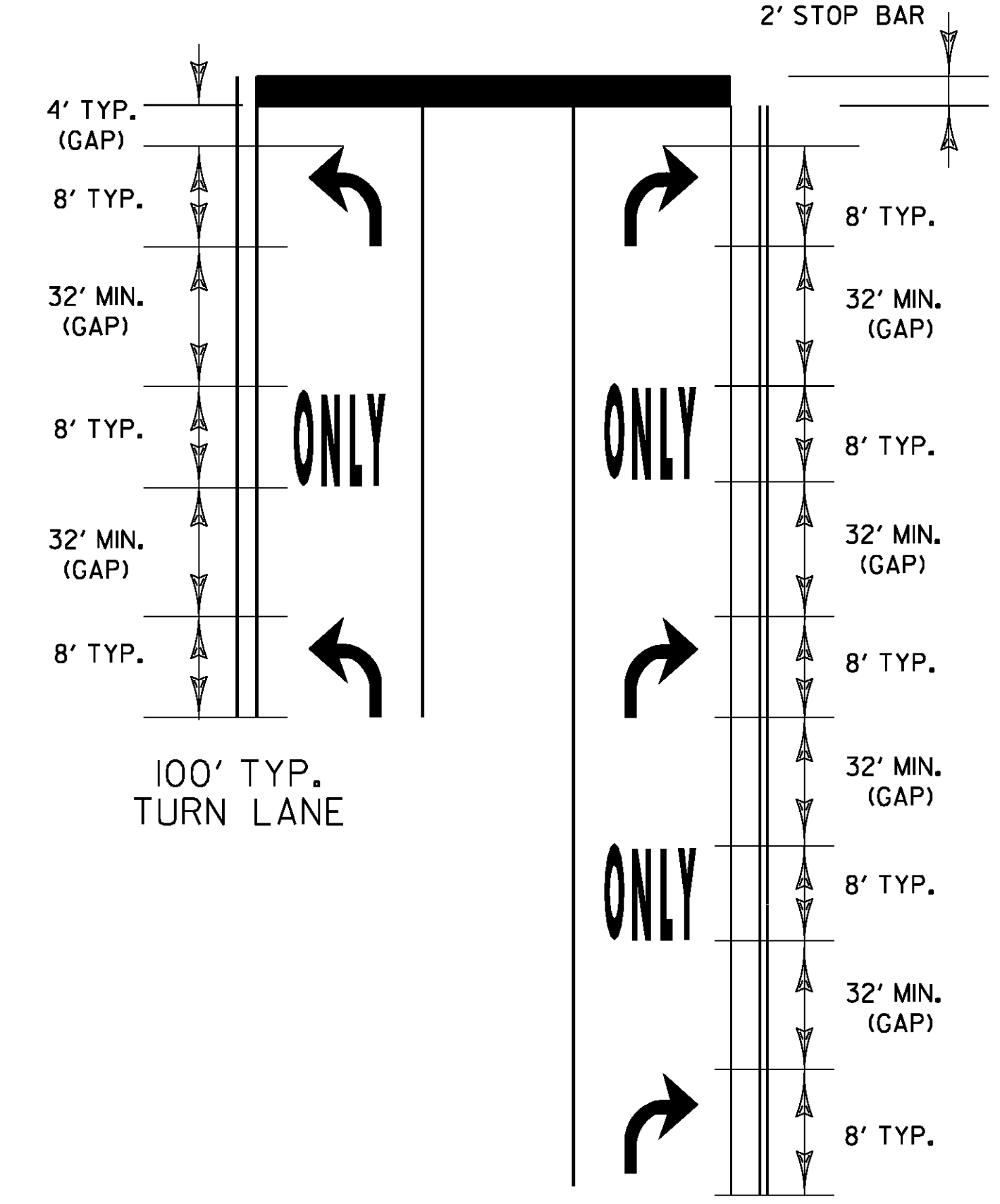
WRONG WAY ARROW



TO BE PAID AS TWO SYMBOLS
ARROW DETAILS



50'-100' TYP. TURN LANE



100' TYP. TURN LANE

200' TYP. TURN LANE

TURN ARROWS SHALL BE PLACED AT THE BEGIN AND END OF THE LEFT OR RIGHT TURN LANE.

IF LANE LENGTH IS LESS THAN 100', TURN ARROWS SHOULD BE PLACED AT THE BEGINNING AND END OF THE LEFT OR RIGHT TURN LANE.

THE "ONLY" WORD MARKINGS SHALL BE USED TO SUPPLEMENT LANE-USE ARROW MARKINGS FOR TURN LANES 100' OR LONGER.

MORE ARROWS AND ONLY'S ARE OPTIONAL WHEN SPACE PERMITS. ARROW MARKINGS START AT THE BEGINNING OF THE SOLID LANE LINE.

STOP BARS ARE INSTALLED ONLY WHERE A STOP SIGN OR TRAFFIC SIGNAL ARE LOCATED. STOP LETTERS ARE OPTIONAL. IF INSTALLED THEY SHALL BE 4' FROM THE STOP BAR.

THE LONGITUDINAL SPACE BETWEEN WORD OR SYMBOL MESSAGE MARKINGS SHOULD BE AT LEAST FOUR TIMES THE HEIGHT OF THE CHARACTERS FOR LOW SPEED ROADS, BUT NOT MORE THAN TEN TIMES THE HEIGHT OF THE CHARACTERS UNDER ANY CONDITIONS.

EXCLUSIVE TURN LANE LANES (LEFT OR RIGHT) SHALL BE SOLID AND EXTEND BACK FROM THE STOP LINE TO THE POINT OF FULL LANE WIDTH OF THE TURN LANE. 3' DOTS WITH A 9' SPACE SHOULD BE EXTENDED THE FULL LENGTH OF THE LANE TAPER.

TYPICAL MARKINGS FOR TURN LANES

NOT TO SCALE

PROJECT NAME:	STATEWIDE
PROJECT NUMBER:	IMG MARK(115)
FILE NAME:	t14t185.dgn
PROJECT LEADER:	P. COBURN
DESIGNED BY:	K. SWEET
TYPICAL PAVEMENT MARKINGS SHEET 1	
PLOT DATE:	1/29/2015
DRAWN BY:	K. SWEET
CHECKED BY:	I. DEGUTIS
SHEET 3 OF 33	