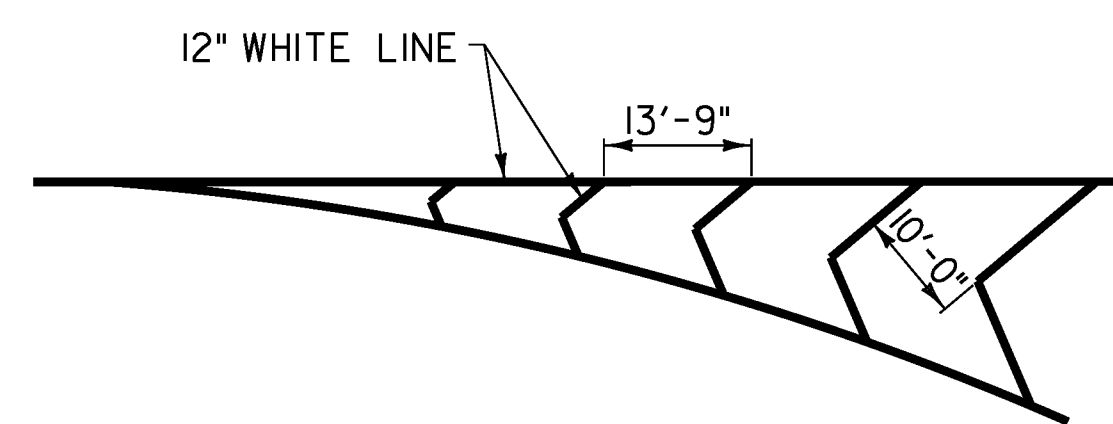
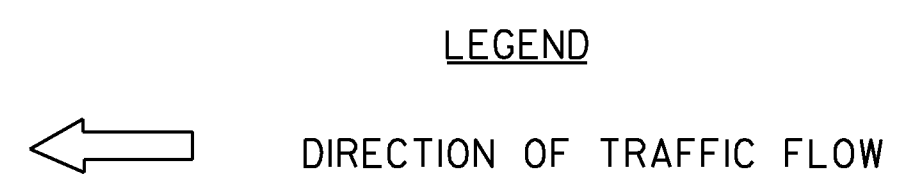
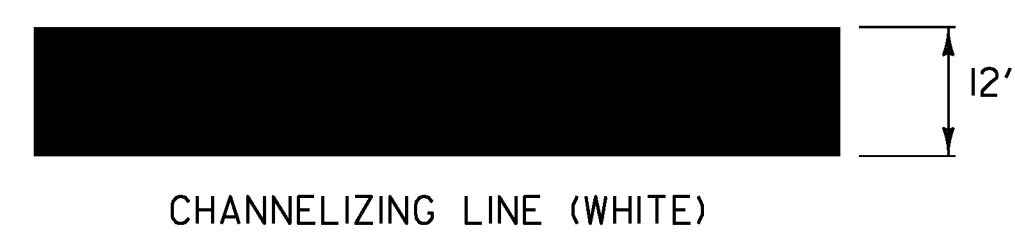
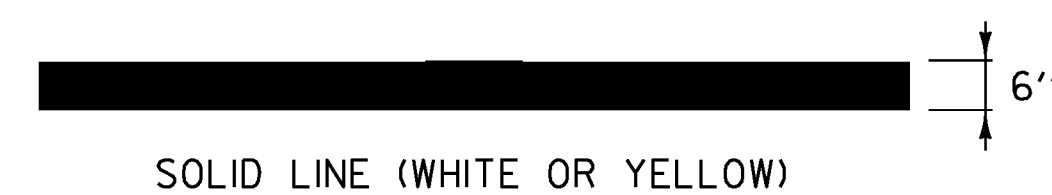
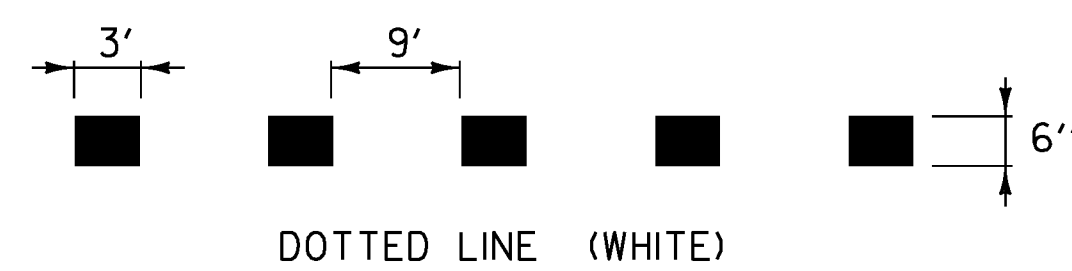


TYPICAL MAINLINE MARKING PLAN
NOT TO SCALE



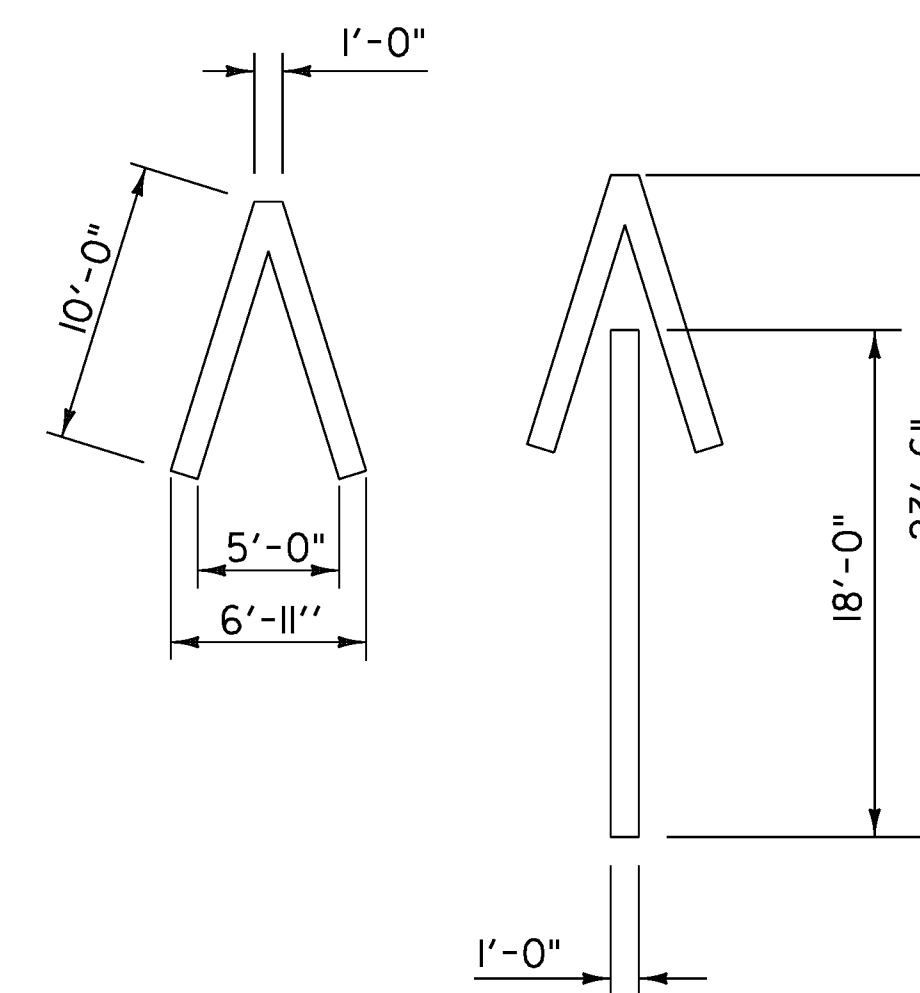
GORE MARKING DETAIL
NOT TO SCALE



PAVEMENT MARKING LINE DETAILS
NOT TO SCALE



STOP BAR DETAIL
NOT TO SCALE



WRONG WAY ARROW
NOT TO SCALE
MARKINGS TO BE PLACED AT EXISTING WRONG WAY SIGN

NOT TO SCALE

PROJECT NAME: NORWICH - FAIRLEE	PLOT DATE: 15-DEC-2014
PROJECT NUMBER: IM SURF(48)	DRAWN BY: N. PAPPAS
FILE NAME: I4a144 Norwich-Fairlee.dgn	CHECKED BY: J. HARRINGTON
PROJECT LEADER: J. HARRINGTON	SHEET 18 OF 22
DESIGNED BY: N. PAPPAS	
PAVEMENT MARKING DETAIL SHEET 5	