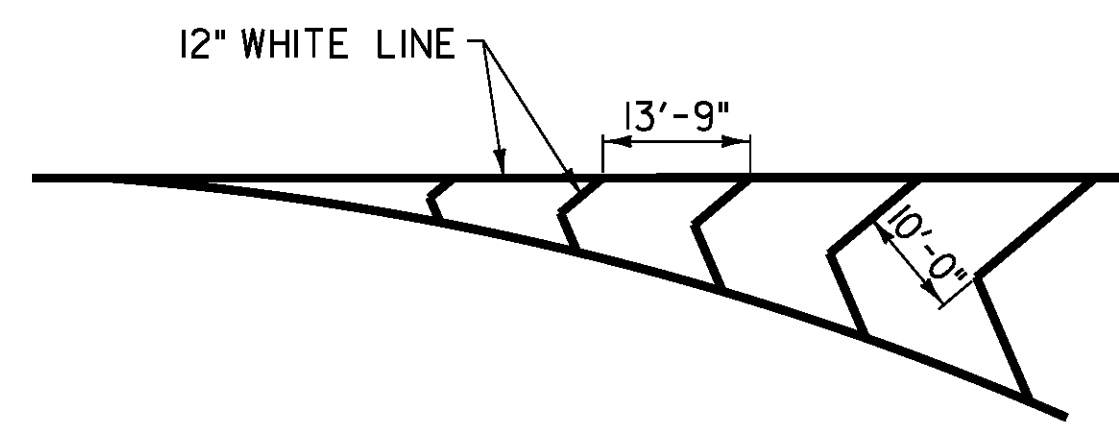


TYPICAL MAINLINE MARKING PLAN
NOT TO SCALE

LEGEND
← DIRECTION OF TRAFFIC FLOW



GORE MARKING DETAIL
NOT TO SCALE



DOTTED LINE (WHITE)



SOLID LINE (WHITE OR YELLOW)

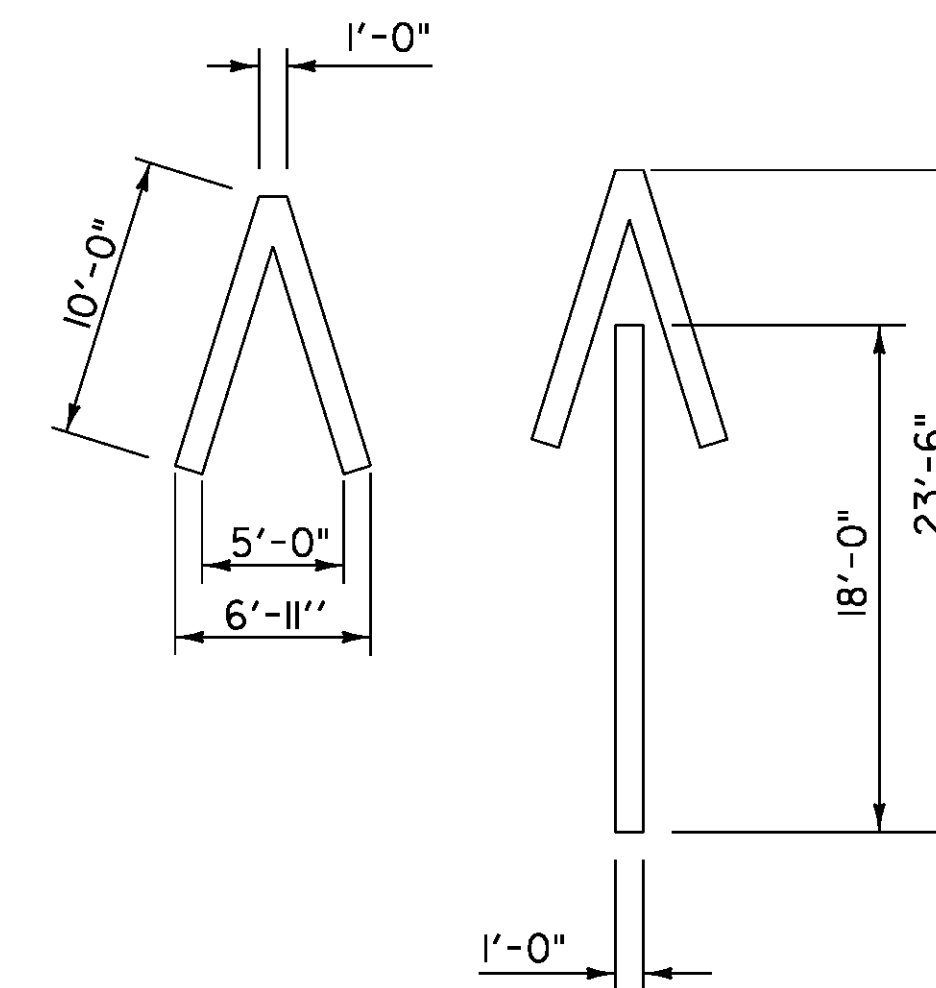


CHANNELIZING LINE (WHITE)

PAVEMENT MARKING LINE DETAILS
NOT TO SCALE



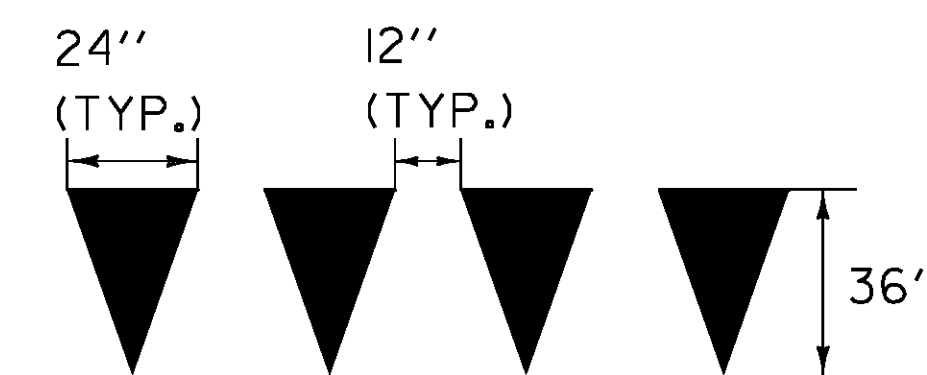
STOP BAR DETAIL
NOT TO SCALE



WRONG WAY ARROW

NOT TO SCALE

MARKINGS TO BE PLACED AT EXISTING WRONG WAY SIGN



YIELD LINE DETAILS

NOT TO SCALE

TO BE INSTALLED ONLY AT THE DIRECTION OF THE ENGINEER.
TO BE PAID AS ONE LETTER OR SYMBOL PER TRIANGLE.

**PAVEMENT
MARKING
DETAIL
SHEET 4**

PROJECT NAME: WATERFORD
PROJECT NUMBER: IM SURF(47)

FILE NAME: i4a122\p14a122.dgn
PROJECT LEADER: M. FOWLER
DESIGNED BY: K. LOCKE
IPARM FILE NAME: p14a122_16.1

PLOT DATE: 10-DEC-2014
DRAWN BY: K. LOCKE
CHECKED BY: M. FOWLER
SHEET 16 OF 22