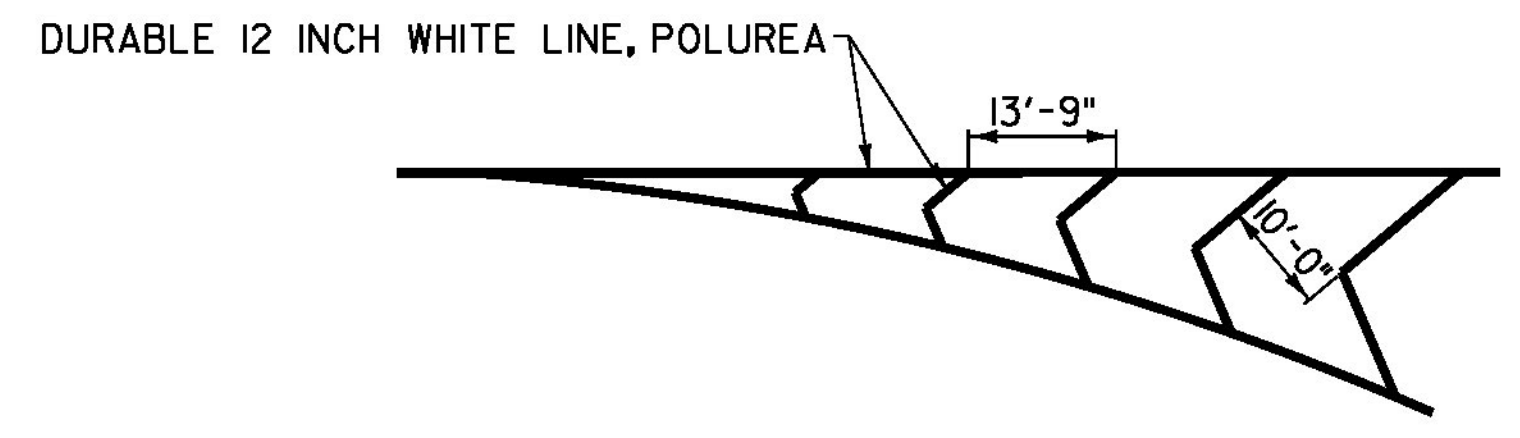
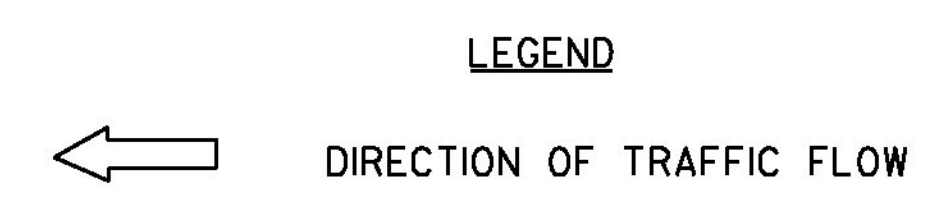
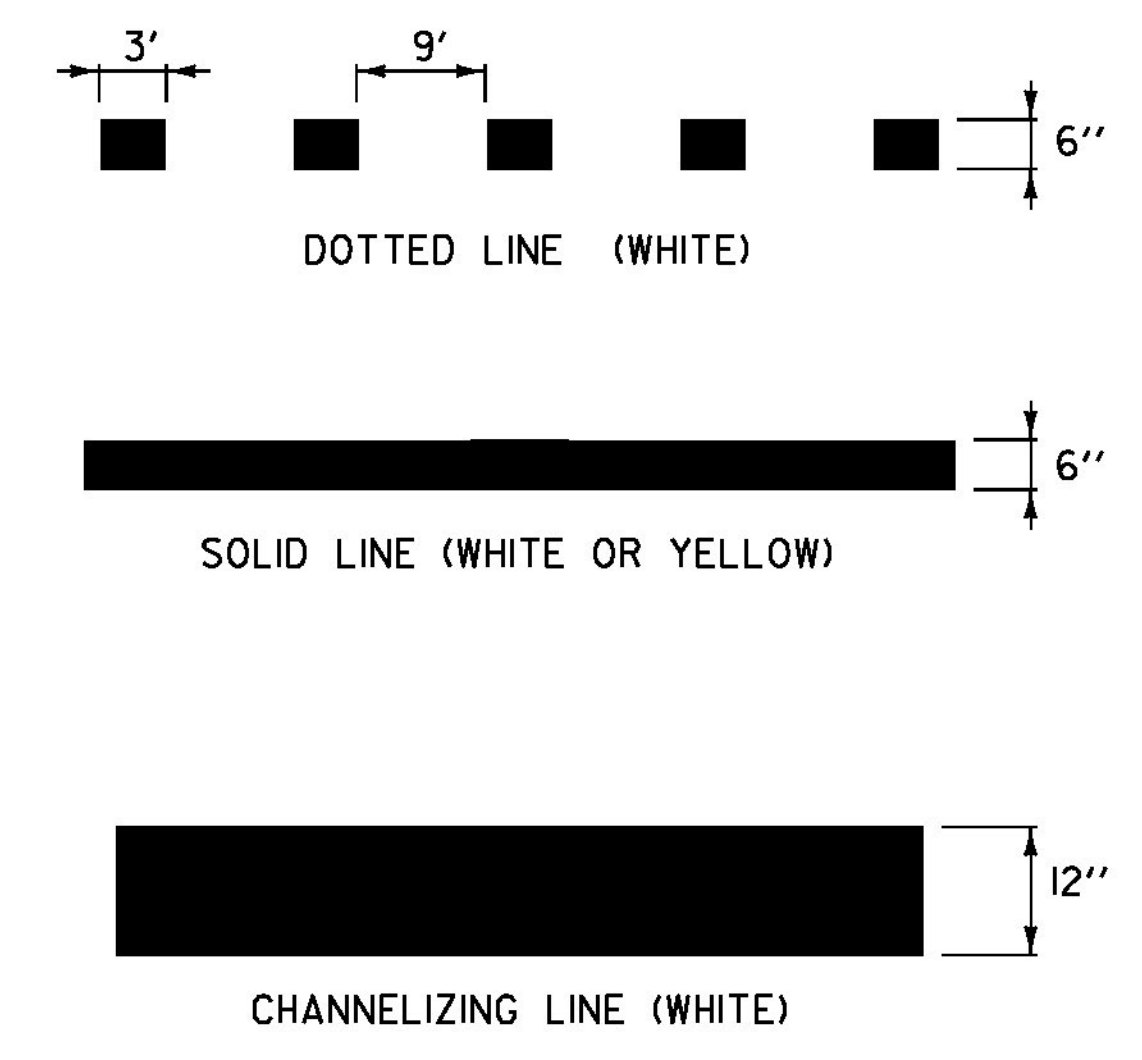


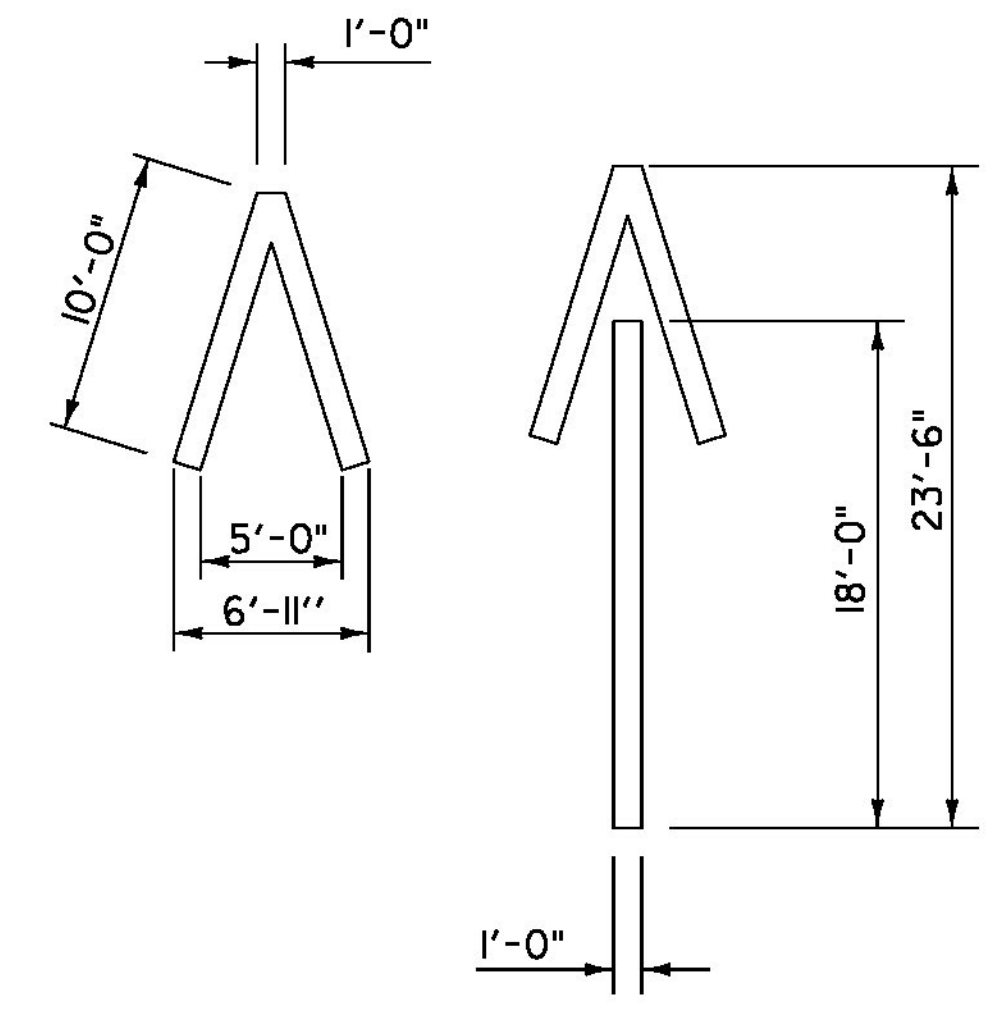
**TYPICAL MAINLINE MARKING PLAN**



**GORE MARKING DETAIL**

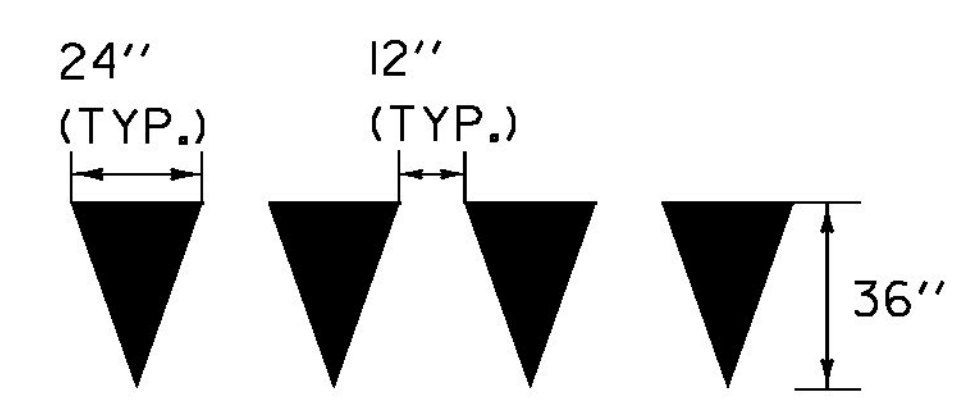


**PAVEMENT MARKING LINE DETAILS**



**WRONG WAY ARROW**

MARKINGS TO BE PLACED AT EXISTING WRONG WAY SIGN



**YIELD LINE DETAILS**

TO BE INSTALLED ONLY AT THE DIRECTION OF THE ENGINEER.  
TO BE PAID AS ONE LETTER OR SYMBOL PER TRIANGLE.

NOT TO SCALE

PROJECT NAME:	HARTFORD-SHARON
PROJECT NUMBER:	IM SURF(46)
FILE NAME:	I3a638/pvtmg+/p3a638_wrk.dgn
PROJECT LEADER:	J. HARRINGTON
DESIGNED BY:	PVT. MGT.
PAVEMENT MARKING DETAIL SHEET	8
DATE:	06-JUN-2014
DRAWN BY:	PVT. MGT.
CHECKED BY:	PVT. MGT.
SHEET	59 OF 64