

DURABLE 6 INCH WHITE LINE, POLYUREA
 TEMPORARY 6 INCH WHITE LINE, PAINT
 QUECHEE INTERCHANGE
 RAMP B
 NORTHBOUND OFF RAMP STA. 0+00 TO 3+00 RT (DOTTED)
 NORTHBOUND OFF RAMP STA. 3+00 TO 18+14 RT (SOLID)
 RAMP A
 NORTHBOUND ON RAMP STA. 0+00 TO 12+56 RT (SOLID)
 NORTHBOUND ON RAMP STA. 12+56 TO 14+50 RT (DASHED)

DURABLE 6 INCH YELLOW LINE, POLYUREA
 TEMPORARY 6 INCH YELLOW LINE, PAINT
 QUECHEE INTERCHANGE
 RAMP B
 NORTHBOUND OFF RAMP STA. 4+13 TO 18+14 LT (SOLID)
 RAMP A
 NORTHBOUND ON RAMP STA. 0+00 TO 9+78 LT (SOLID)

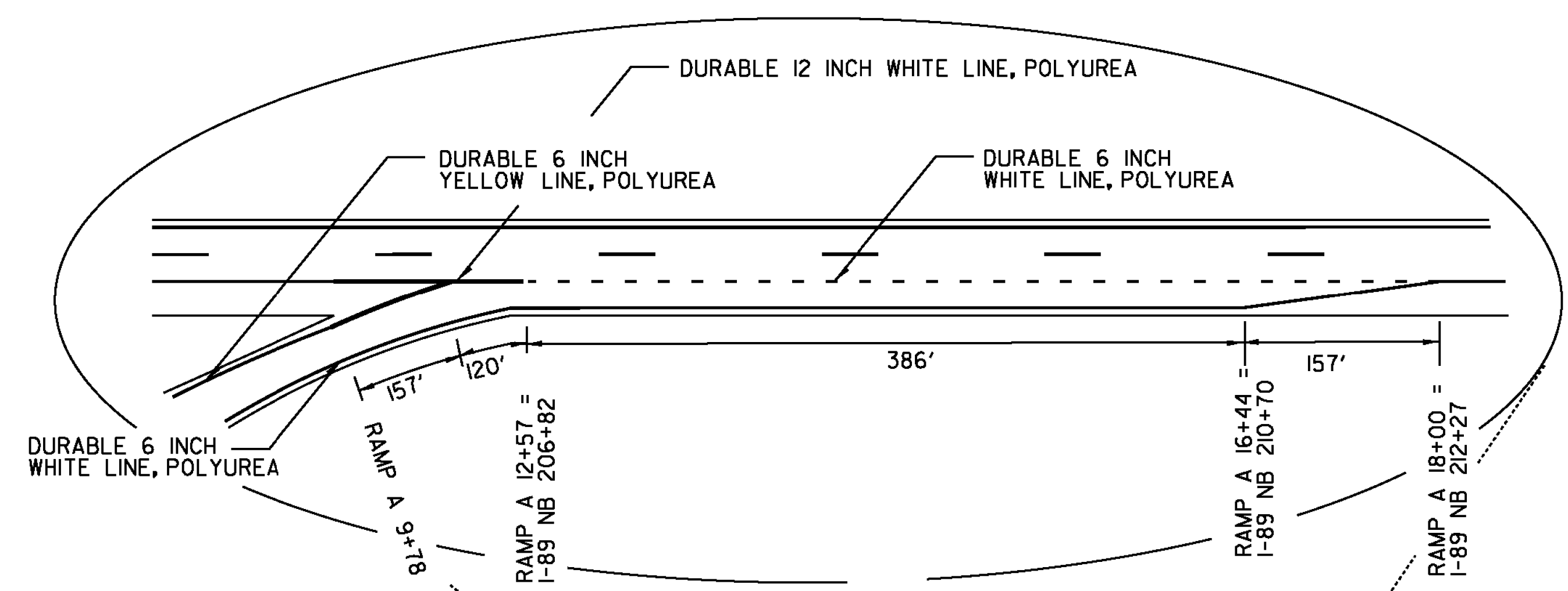
DURABLE 12 INCH WHITE LINE, POLYUREA
 TEMPORARY 12 INCH WHITE LINE, PAINT
 QUECHEE INTERCHANGE
 RAMP B
 NORTHBOUND OFF RAMP STA. 3+00 TO 4+13 LT (GORE AREA W/DIAG.)
 RAMP A
 NORTHBOUND ON RAMP STA. 9+78 TO 12+57 LT (GORE AREA)

DURABLE 24 INCH STOP BAR, THERMOPLASTIC OR
 DURABLE 24 INCH STOP BAR, POLYUREA (OPTION ITEM)
 TEMPORARY 24 INCH STOP BAR, PAINT
 QUECHEE INTERCHANGE
 RAMP B
 NORTHBOUND OFF RAMP STA. 18+11

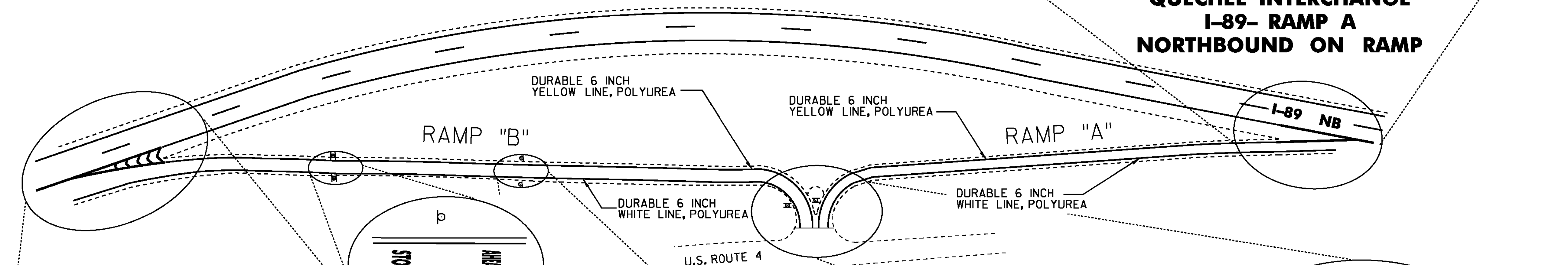
DURABLE LETTER OR SYMBOL, THERMOPLASTIC OR
 DURABLE LETTER OR SYMBOL, POLYUREA (OPTION ITEM)
 DURABLE LETTER OR SYMBOL, PAINT
 QUECHEE INTERCHANGE
 RAMP B
 NORTHBOUND OFF RAMP "STOP AHEAD" STA. 8+14
 NORTHBOUND OFF RAMP "WRONG WAY ARROW" STA. 10+10 (←→)
 NORTHBOUND OFF RAMP "STOP" (2) STA. 18+04

PAINTED CURB
 QUECHEE INTERCHANGE
 RAMP B/RAMP A NORTHBOUND ON/OFF RAMP
 RAMP B STATIONS 17+36 TO 18+14 LT (164')

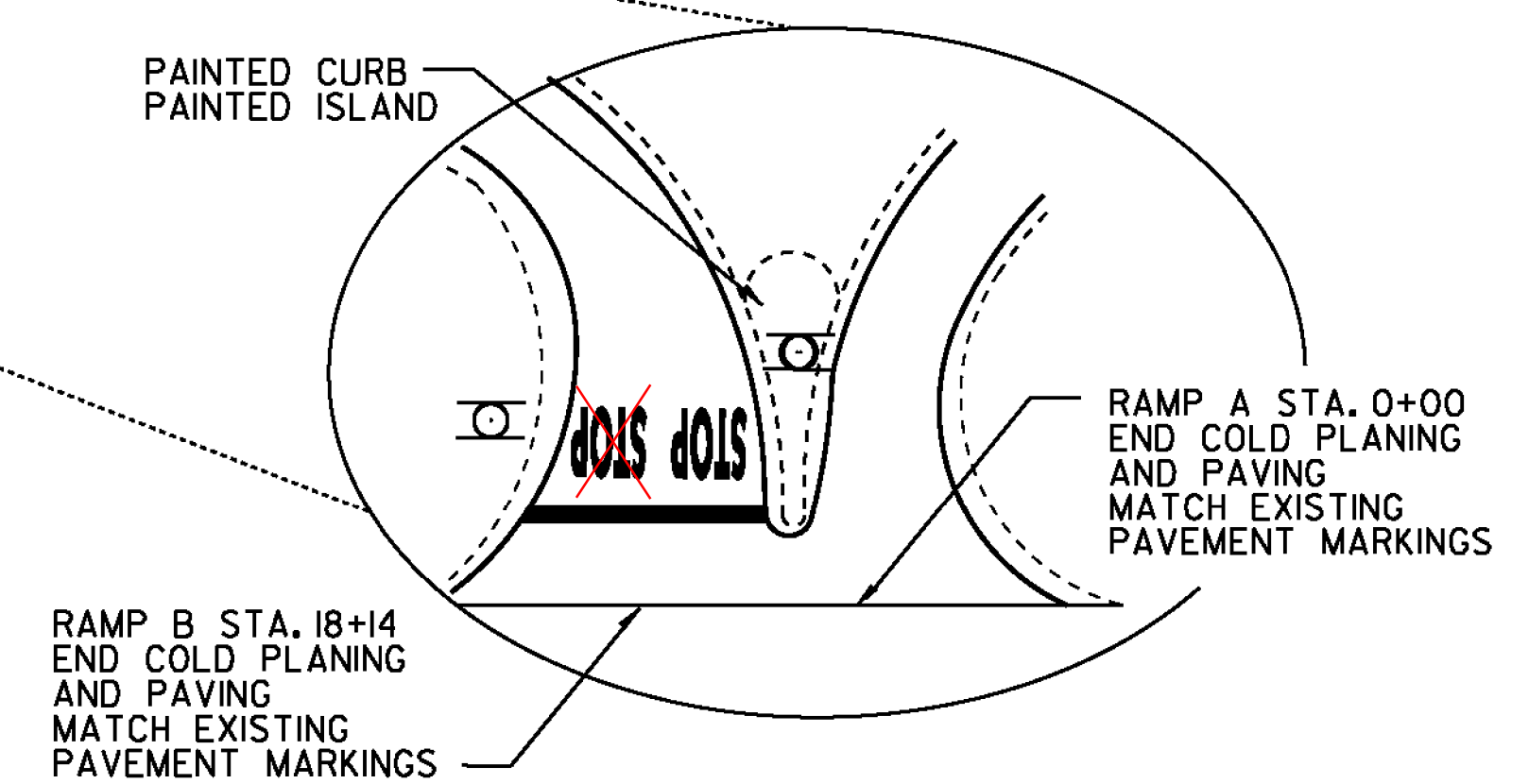
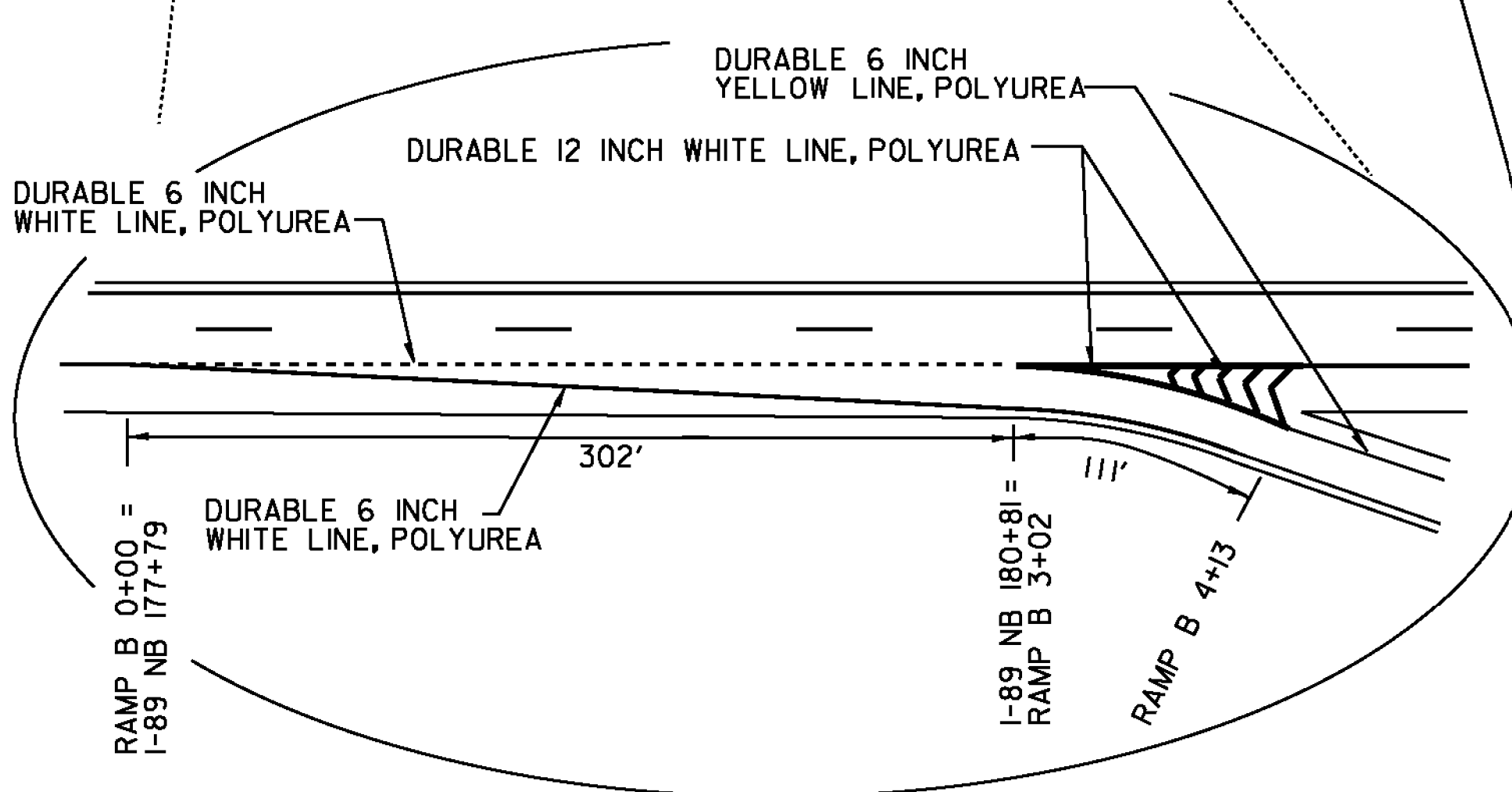
PAINTED ISLAND
 QUECHEE INTERCHANGE
 RAMP B/RAMP A NORTHBOUND ON/OFF RAMP
 RAMP B STATIONS 17+35 TO 18+14 LT (29 SF)



**QUECHEE INTERCHANGE
 I-89- RAMP A
 NORTHBOUND ON RAMP**



**QUECHEE INTERCHANGE
 I-89- RAMP B
 NORTHBOUND OFF RAMP**



DURABLE LETTER OR SYMBOL (SEE OPTIONS)

NOT TO SCALE

| | |
|---------------------------------|-------------------------------|
| PROJECT NAME: | HARTFORD-SHARON |
| PROJECT NUMBER: | IM SURF(46) |
| FILE NAME: | I3a638/pvtmgt/pl3a638_wrk.dgn |
| PROJECT LEADER: | J. HARRINGTON |
| DESIGNED BY: | PVT. MGT. |
| PAVEMENT MARKING DETAIL SHEET 6 | |
| PLOT DATE: | 06-JUN-2014 |
| DRAWN BY: | PVT. MGT. |
| CHECKED BY: | PVT. MGT. |
| SHEET | 57 OF 64 |