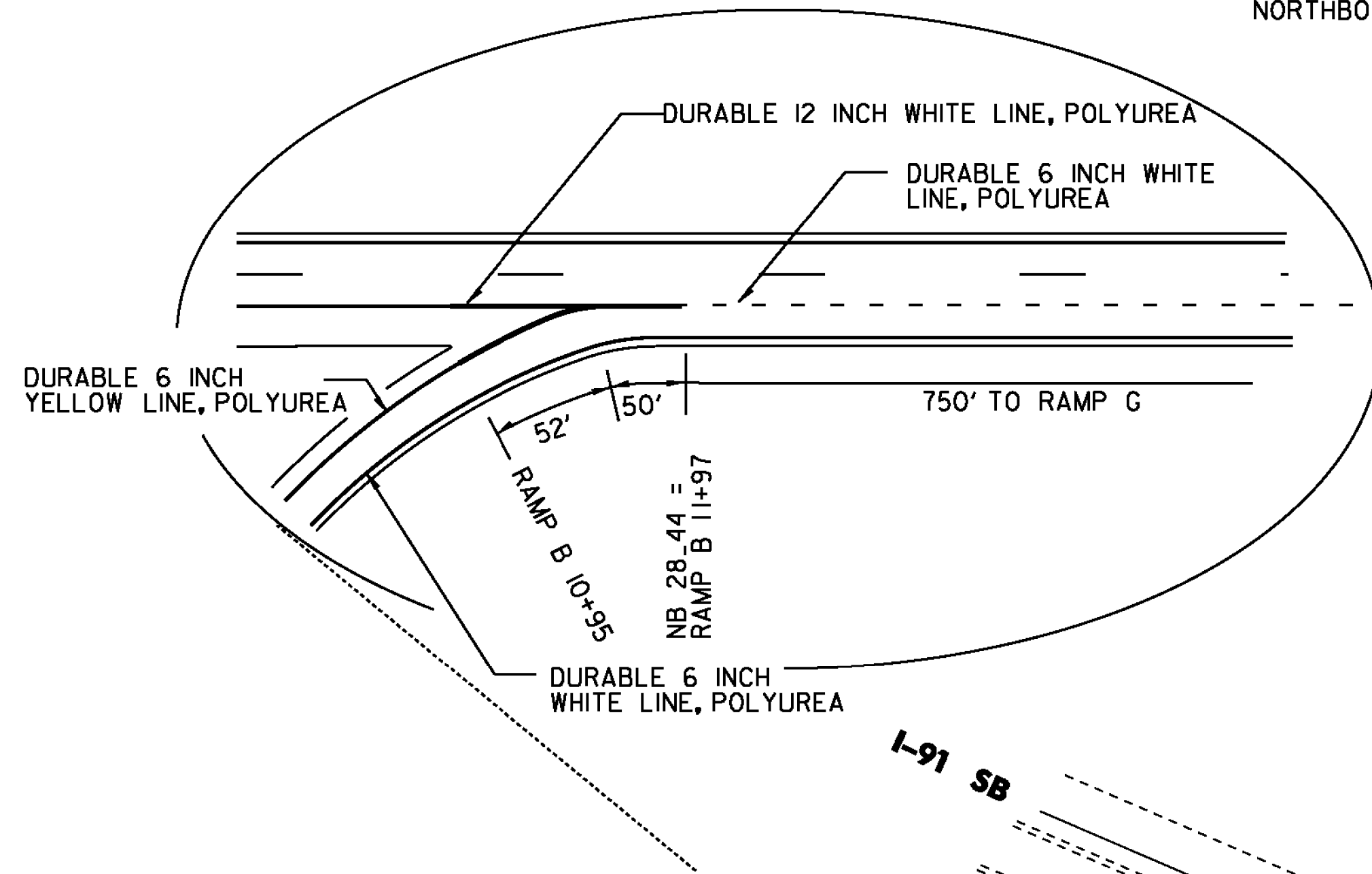


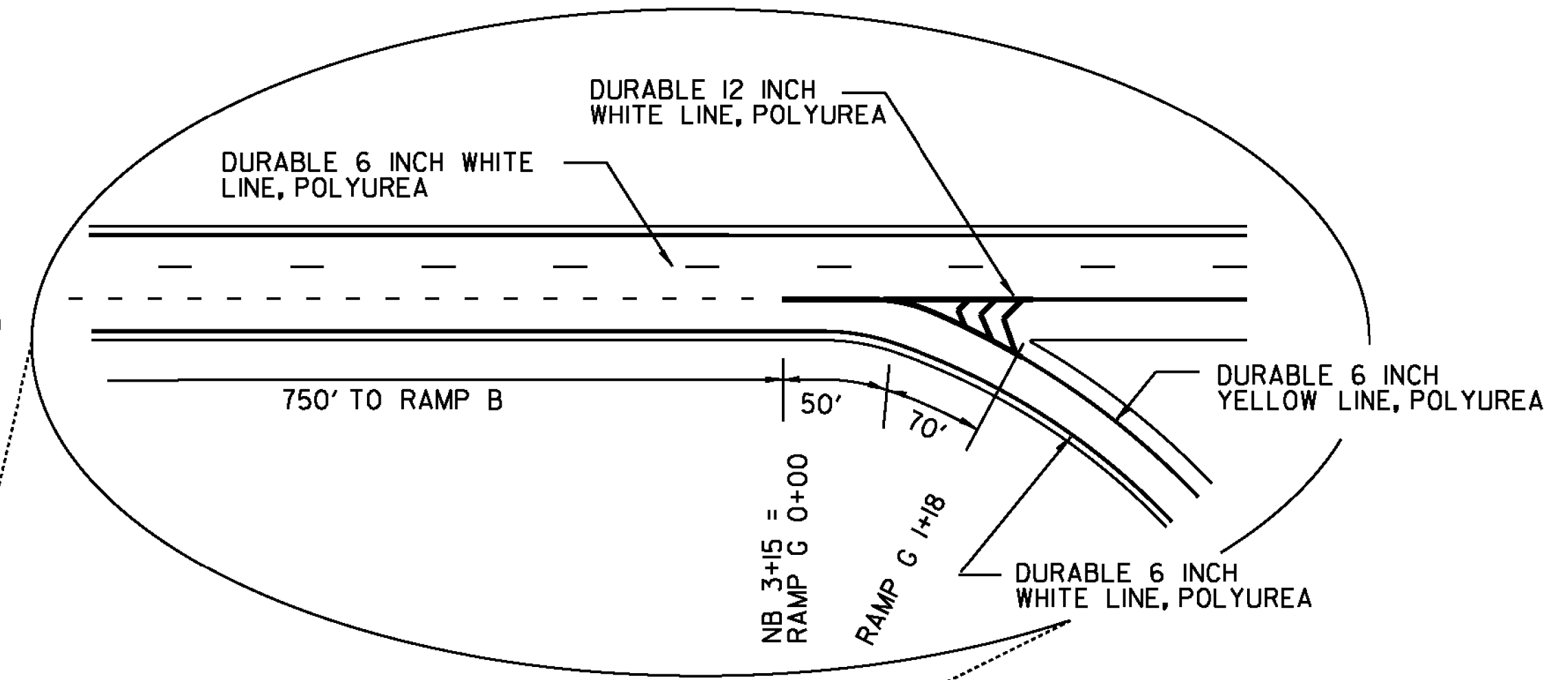
DURABLE 6 INCH WHITE LINE, POLYUREA
 TEMPORARY 6 INCH WHITE LINE, PAINT
 WHITE RIVER JCT. INTERCHANGE
 I-89 NORTHBOUND STA. 28+44 TO 35+95 RT (DASHED)
 RAMP B
 RAMP G
 NORTHBOUND OFF RAMP STA. 0+00 TO 8+33 RT (SOLID)

DURABLE 6 INCH YELLOW LINE, POLYUREA
 TEMPORARY 6 INCH YELLOW LINE, PAINT
 WHITE RIVER JCT. INTERCHANGE
 RAMP B
 NORTHBOUND ON RAMP STA. 0+00 TO 11+28 LT (SOLID)
 RAMP G
 NORTHBOUND OFF RAMP STA. 1+18 TO 8+33 LT (SOLID)

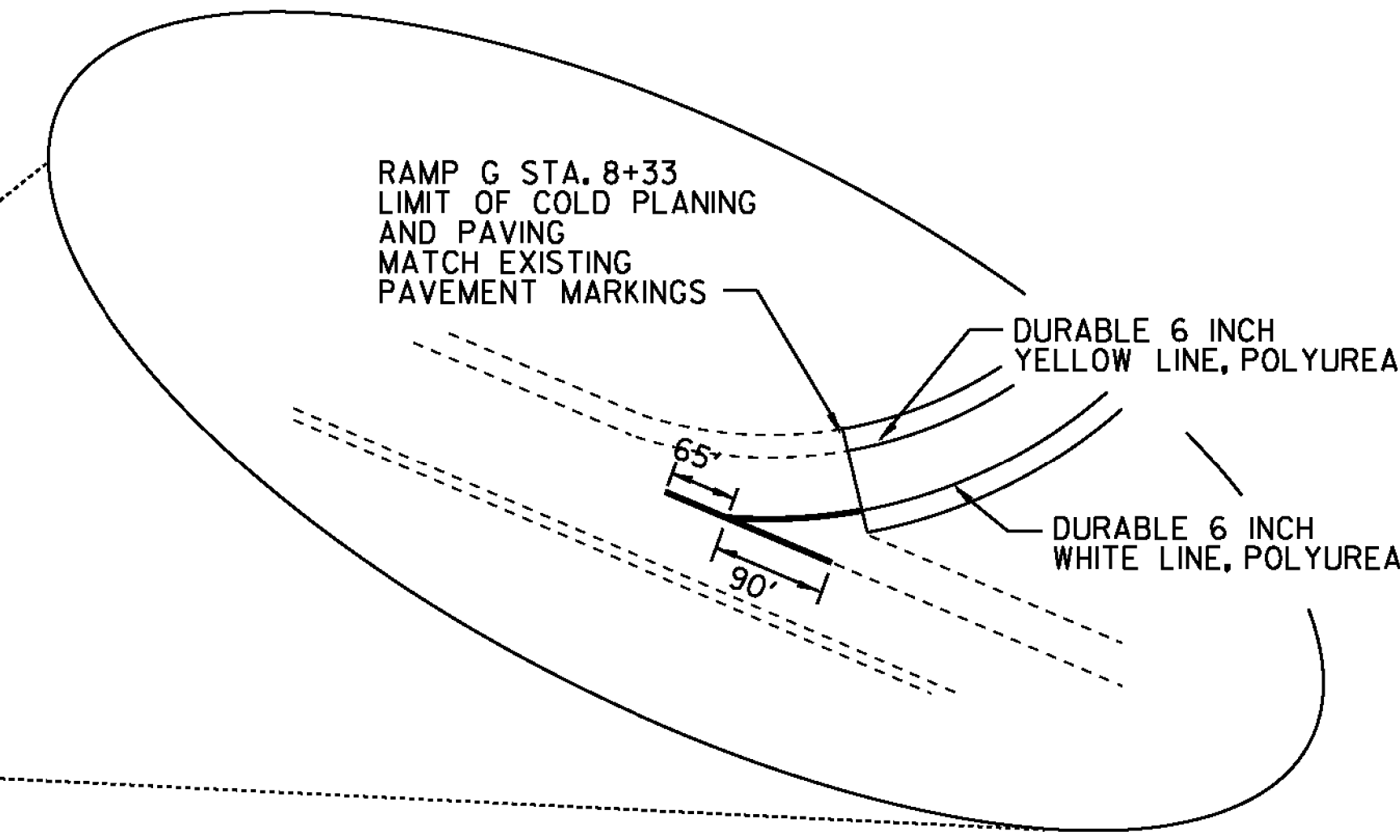
DURABLE 12 INCH WHITE LINE, POLYUREA
 TEMPORARY 12 INCH WHITE LINE, PAINT
 WHITE RIVER JCT. INTERCHANGE
 RAMP B
 NORTHBOUND ON RAMP STA. 10+95 TO 11+97 LT (GORE AREA)
 NORTHBOUND ON RAMP STA. 0+00 LT (GORE AREA W/DIAG. AT I-91 NB)
 RAMP G
 NORTHBOUND OFF RAMP STA. 0+00 TO 1+18 LT (GORE AREA W/DIAGONALS)
 NORTHBOUND OFF RAMP STA. 8+33 TO 9+87 LT (GORE AREA W/191 SB)



RAMP B PAVED FROM STA 10+75
 REMAINDER OF RAMP OMITTED FROM PROJECT

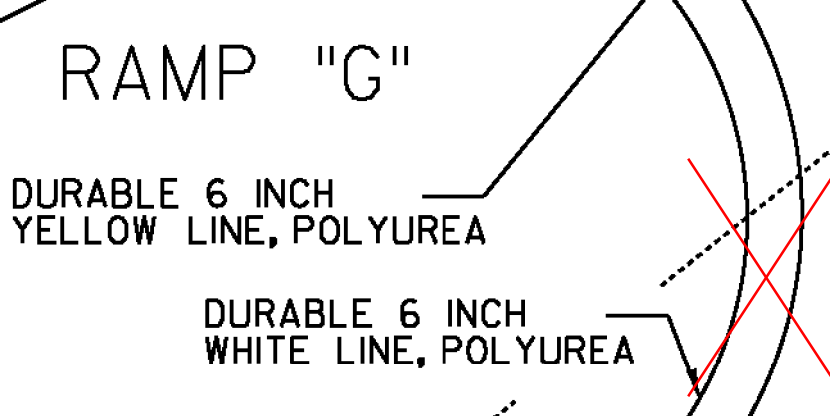
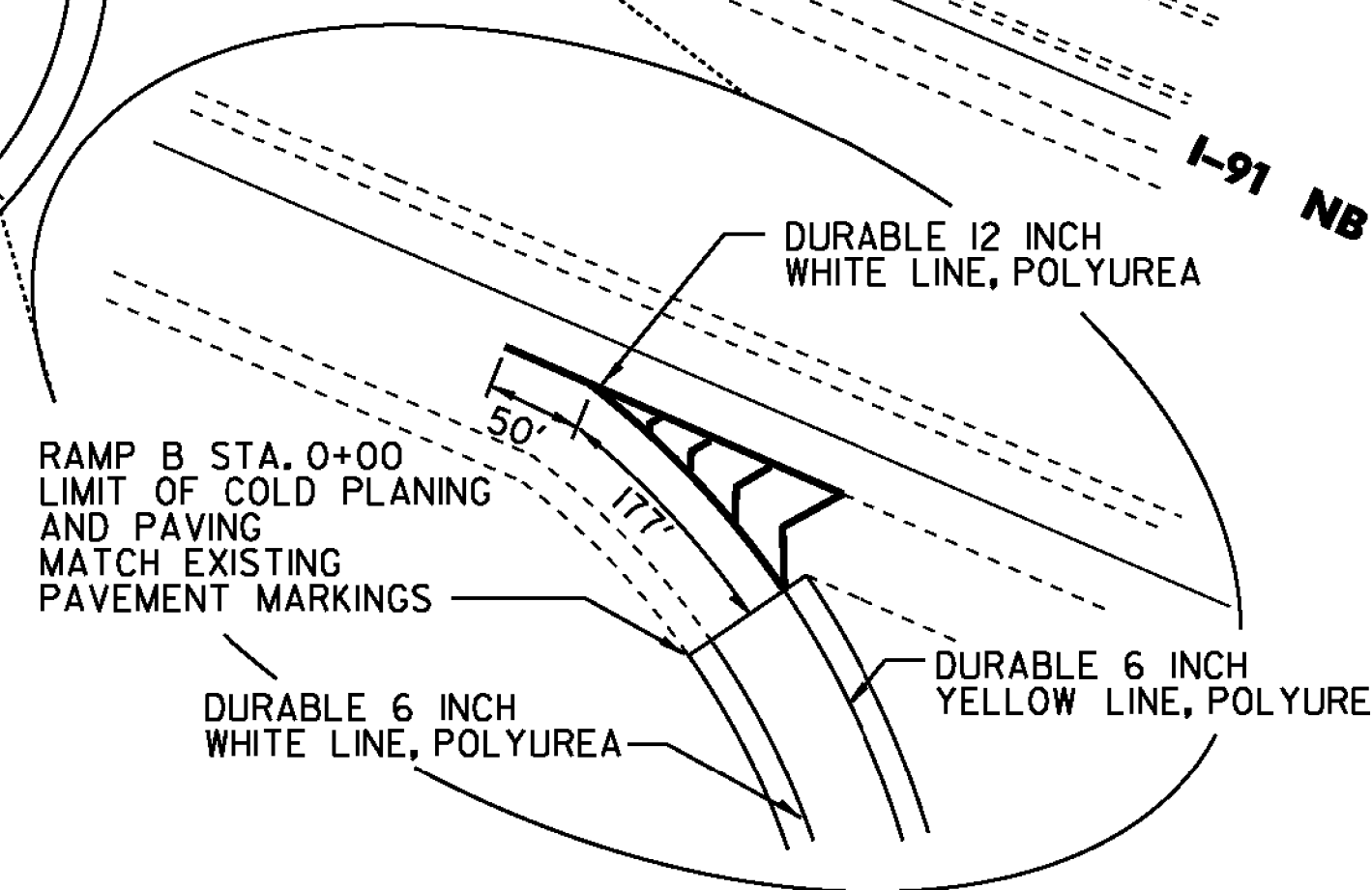
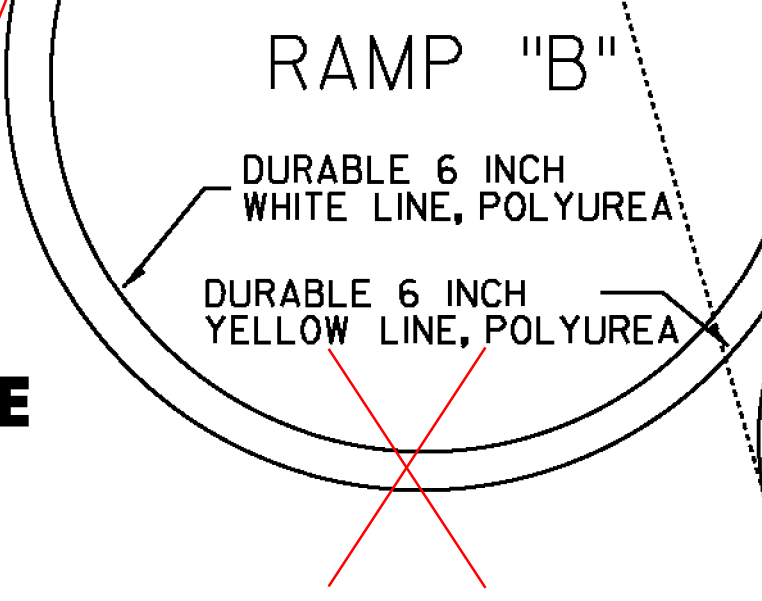


**WHITE RIVER JCT. INTERCHANGE
 I-89- RAMP G
 NORTHBOUND OFF RAMP**



RAMP G OMITTED FROM PROJECT
 PAVED OFF OF I-89 TO STA 36+36

**WHITE RIVER JCT. INTERCHANGE
 I-89 - RAMP B
 NORTHBOUND ON RAMP**



NOT TO SCALE

PROJECT NAME:	HARTFORD-SHARON
PROJECT NUMBER:	IM SURF(46)
FILE NAME:	I3a638/pvtmgt/pl3a638_wrk.dgn
PROJECT LEADER:	J. HARRINGTON
DESIGNED BY:	PVT. MGT.
PAVEMENT MARKING DETAIL SHEET 4	
PLOT DATE:	06-JUN-2014
DRAWN BY:	PVT. MGT.
CHECKED BY:	PVT. MGT.
SHEET	55 OF 64