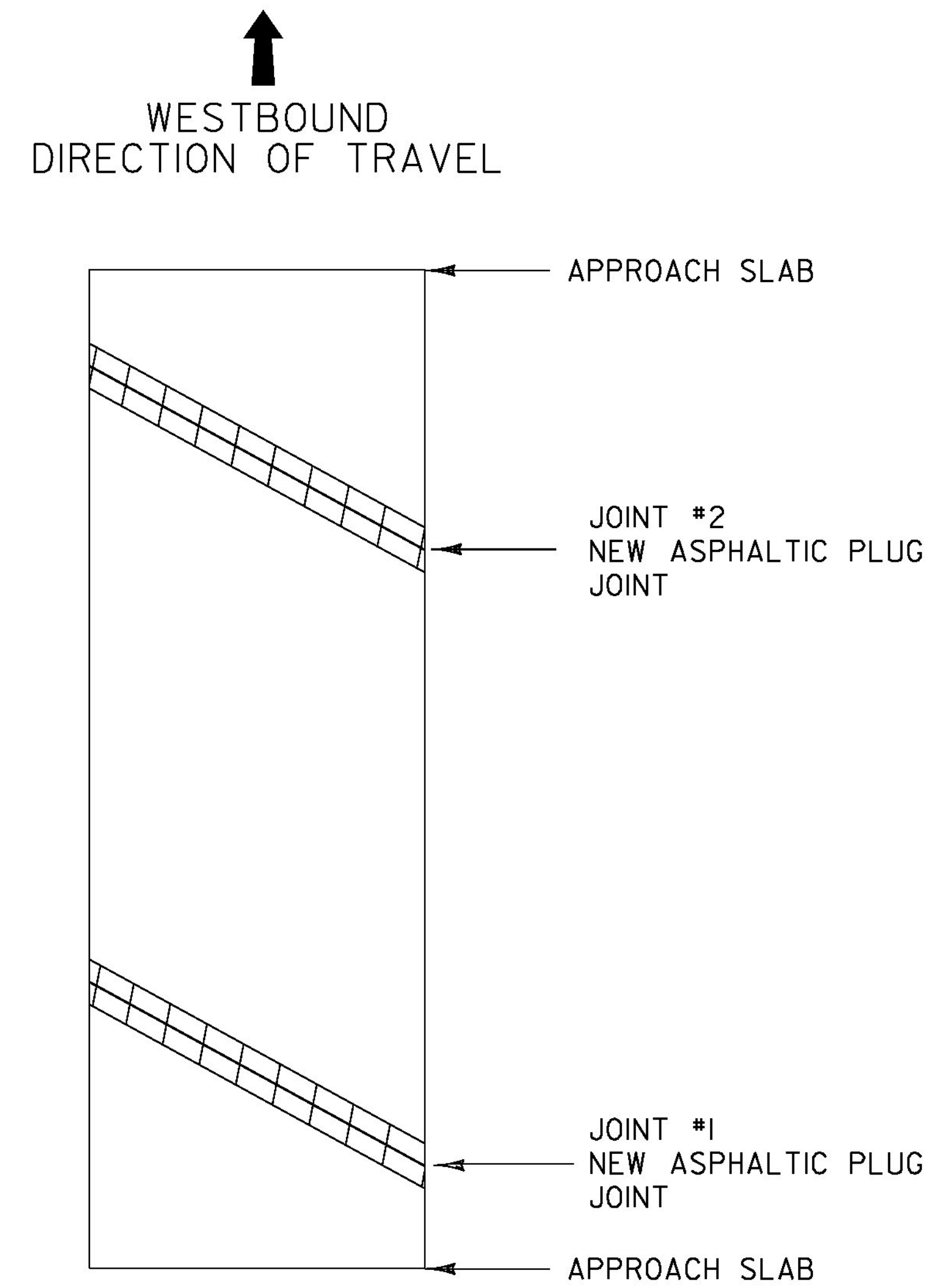


BRIDGE 11N EB
BARRE CITY MM 1.398 EB

LENGTH OF ASPHALTIC PLUG JOINTS:
JOINT #1 - = 27'
JOINT #2 - = 27'

TOTAL = 54'

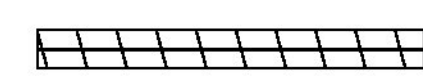


BRIDGE 11N WB
BARRE CITY MM 1.398 WB

LENGTH OF ASPHALTIC PLUG JOINTS:
JOINT #1 - = 27'
JOINT #2 - = 27'

TOTAL = 54'

LEGEND



EXISTING BRIDGE JOINTS TO BE
REPAIRED WITH ASPHALTIC PLUG JOINT

PROJECT NAME: BERLIN-BARRE CITY
PROJECT NUMBER: NH SURF(44)

FILE NAME: I3B634/pvtmgt/pi3b634.dgn PLOT DATE: 06-JUN-2014
PROJECT LEADER: J. HARRINGTON DRAWN BY: PVT. MGT.
DESIGNED BY: PVT. MGT. CHECKED BY: PVT. MGT.
BRIDGE DETAIL SHEET 2 SHEET 14 OF 64