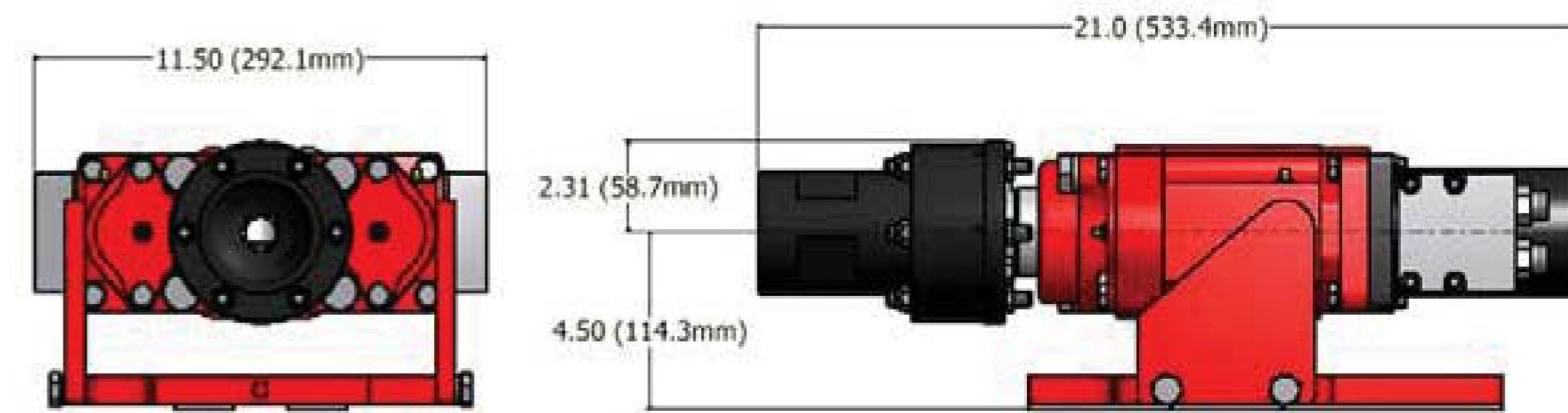
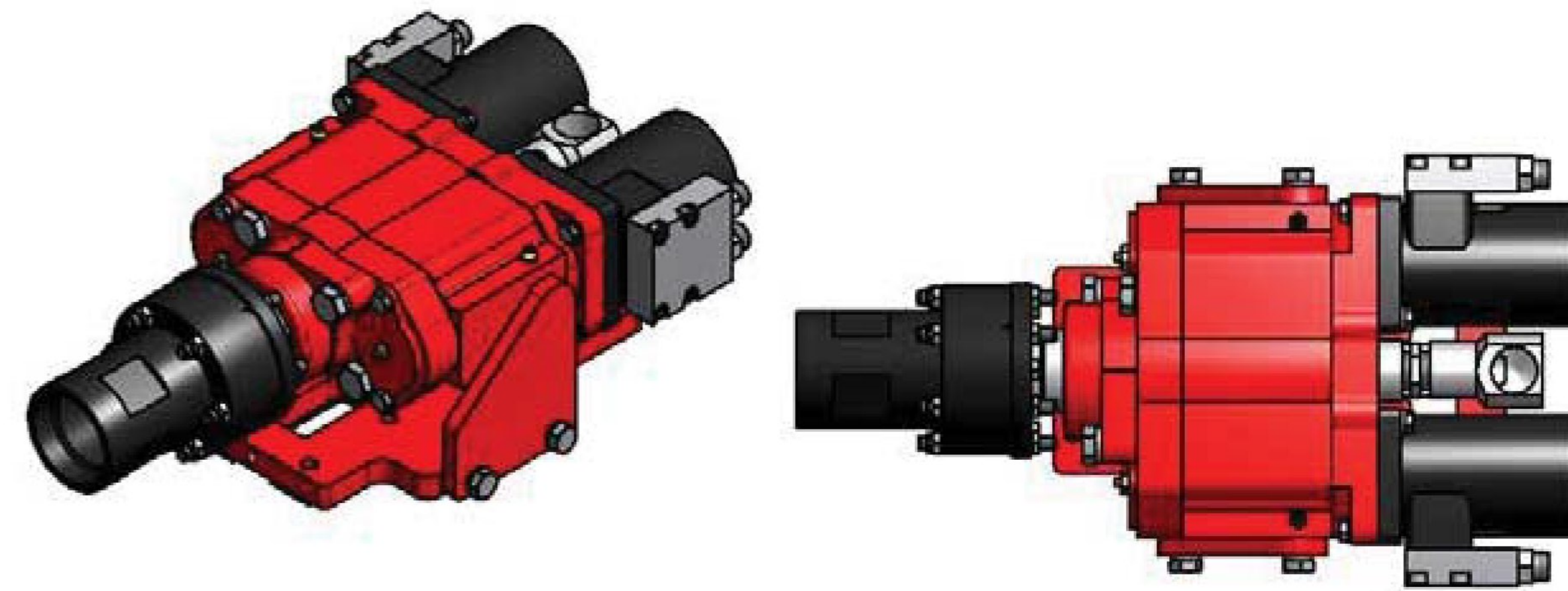


RDS250 | ROTARY HEAD



	US	METRIC
Rotation Torque	1,000 ft/lbs	135 daNm
Rotation Speed	Up to 400 RPM	Up to 400 RPM
Supply Pressure	2500 PSI	172 bar
Supply Flow	15 GPM	57 LPM
Flushing Shaft ID	7/8"	22 mm
Weight	106 Lbs	52 Kg
Output Threads	CA21 Male, 2-3/8" API Regular Male & Female, 1-5/8" Auger Hex, 1-3/8" Auger Hex, Other Threads Available	

Used on the ACF feed system.

TEI technical specifications consider a 40% hydraulic power loss.