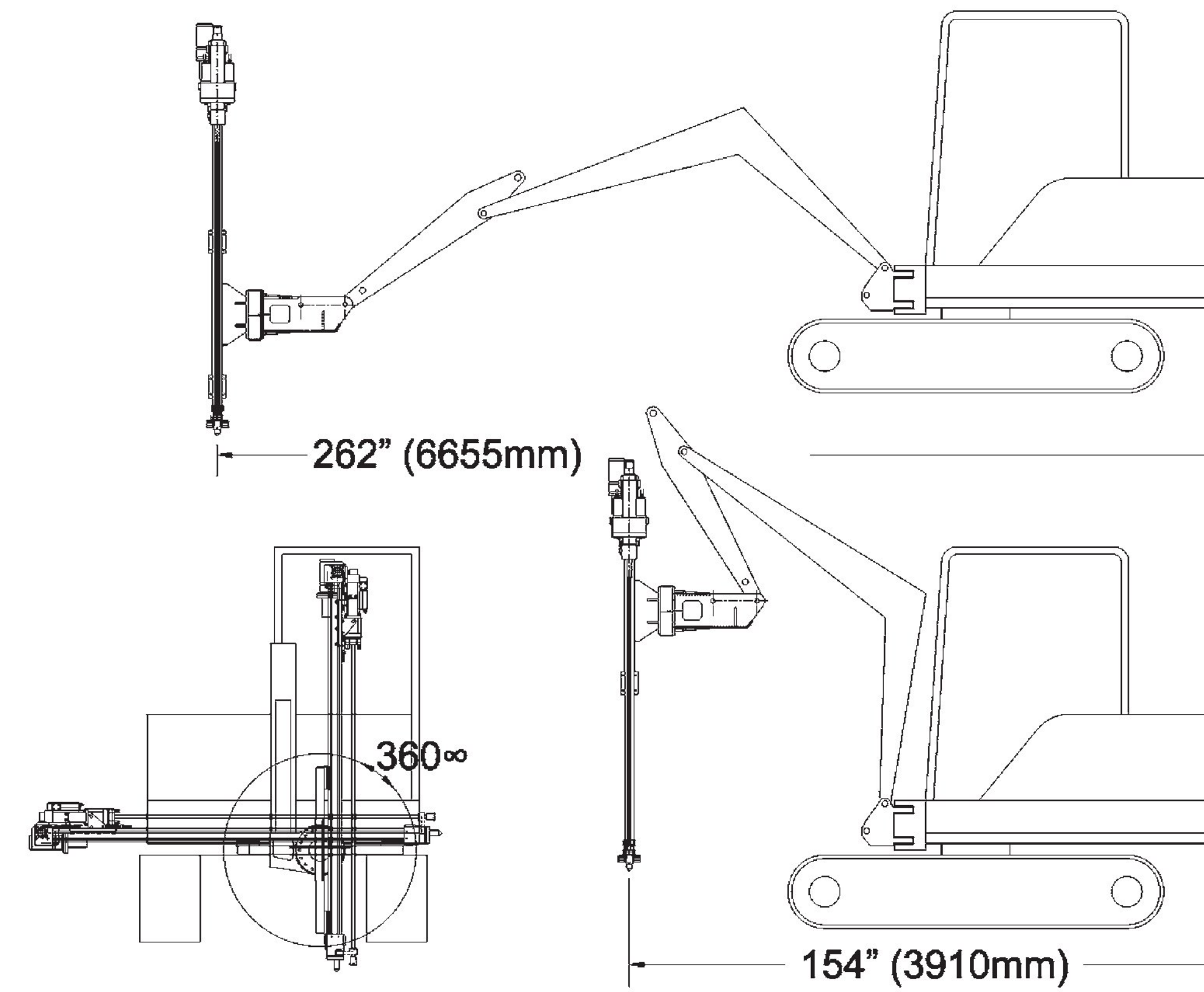


MME | HYDRAULIC DRILLING ATTACHMENT FOR MINI AND SMALL EXCAVATORS



MME DRILL TOOL WITH ACF10 FEED

	US	METRIC
MME260 System Flow and Pressure	25 GPM @ 2250 PSI	95 LPM @ 155 BAR
MME250R System Flow and Pressure	18 GPM @ 2500 PSI	69 LPM @ 172 BAR
MME260 Hole Size	1.375" to 2.0"	35mm to 52mm
MME250R Hole Size	2.75" to 4.0"	70mm to 102mm
ACF10 Drill Length	13.5 feet	4.1 meters
ACF10 Travel	10.5 feet	3.2 meters
ACF10 Pullback	1500 lbs.	680 kgs.
Approximate Drill Tool Weight	1080 lbs.	488 kgs.

Minimum Excavator Size: 5 TONS

ALL ATTACHMENT CARRIERS MUST BE PLUMBED WITH LOW PRESSURE RETURN AUXILIARY HYDRAULICS.
AN ADDITIONAL HYDRAULIC OIL COOLER IS RECOMMENDED FOR PRODUCTION DRILLING.