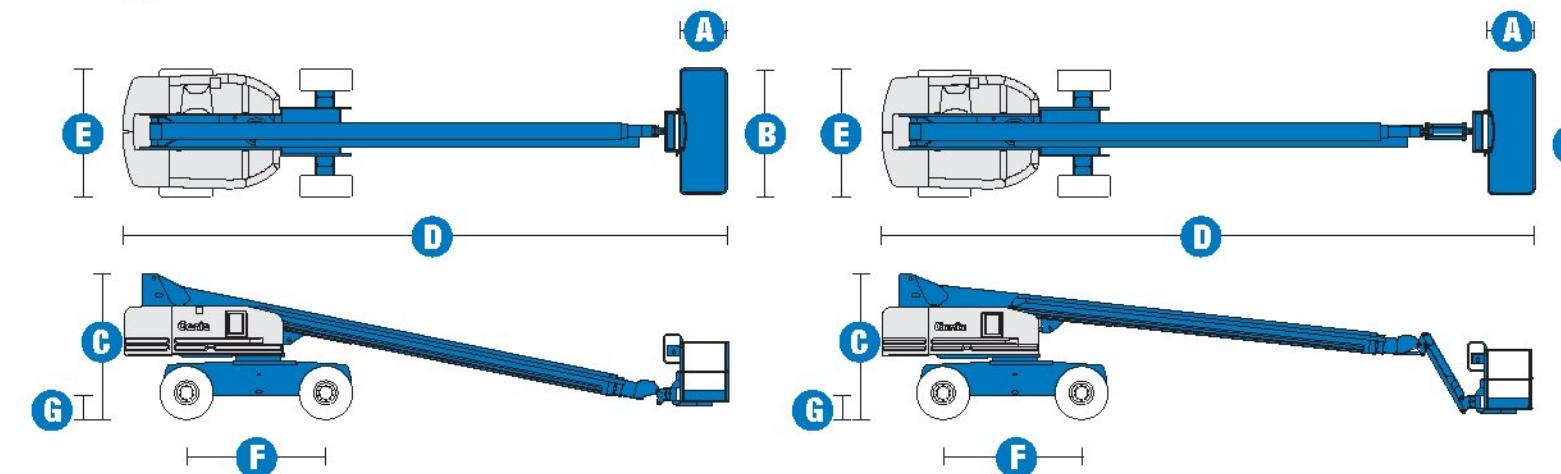


SELF-PROPELLED TELESCOPIC BOOMS

S™-80 & S™-85



Specifications



MODELS	S™-80		S™-85	
	US	Metric	US	Metric
Working height maximum*	86 ft	26.38 m	91 ft	27.90 m
Platform height maximum	80 ft	24.38 m	85 ft	25.90 m
Horizontal reach maximum	72 ft 5 in	22.07 m	77 ft 5 in	23.60 m
Below ground reach	10 ft 3 in	3.12 m	13 ft 9 in	4.19 m
A Platform length - 8 ft model	3 ft	.91 m	3 ft	.91 m
Platform length - 6 ft model	2 ft 6 in	.76 m	2 ft 6 in	.76 m
B Platform width - 8 ft model	8 ft	2.44 m	8 ft	2.44 m
Platform width - 6 ft model	6 ft	1.83 m	6 ft	1.83 m
C Height - stowed	9 ft 2 in	2.80 m	9 ft 2 in	2.80 m
D Length - stowed	37 ft 3 in	11.35 m	40 ft 7 in	12.37 m
Length - transport (jib tucked under)			35 ft	10.67 m
E Width - axles retracted	8 ft	2.44 m	8 ft	2.44 m
Width - axles extended	10 ft 1 in	3.07 m	10 ft 1 in	3.07 m
F Wheelbase	9 ft	2.74 m	9 ft	2.74 m
G Ground clearance - center	1 ft 5 in	.43 m	1 ft 5 in	.43 m

PRODUCTIVITY

Lift capacity - 8 ft platform	500 lbs	227 kg	500 lbs	227 kg
Lift capacity - 6 ft platform	600 lbs	272 kg	500 lbs	227 kg
Platform rotation	160°		160°	
Vertical jib rotation			135°	
Turntable rotation	360° continuous		360° continuous	
Turntable tailswing - axle retracted	4 ft 8 in	1.42 m	4 ft 8 in	1.42 m
Turntable tailswing - axle extended	3 ft 8 in	1.12 m	3 ft 8 in	1.12 m
Drive speed - stowed - 2WD/4WD	3.5 mph	5.6 km/h	3.5 mph	5.6 km/h
Drive speed - raised/extended	0.68 mph	1.1 km/h	0.68 mph	1.1 km/h
Gradeability - 2WD - stowed**	30%		30%	
Gradeability - 4WD - stowed**	45%		45%	
Turning radius - axle extended: inside	10 ft 8 in	3.25 m	10 ft 8 in	3.25 m
outside	23 ft	7.01 m	23 ft	7.01 m
Controls	12V DC proportional		12V DC proportional	
Tires - RT lug	385/65 D22.5		385/65 D22.5	

POWER

Power source	Deutz BF4L 2011 4 cylinder turbo diesel 78 hp (58.1 kW) Perkins 804C-33 4 cylinder diesel 63 hp (47 kW) Continental TME27 4 cylinder Gas/LPG 74 hp (56 kW)			
Auxiliary power unit	12V DC		12V DC	
Hydraulic tank capacity	45 gal	170 L	45 gal	170 L
Fuel tank capacity	33 gal	125 L	33 gal	125 L

WEIGHT***

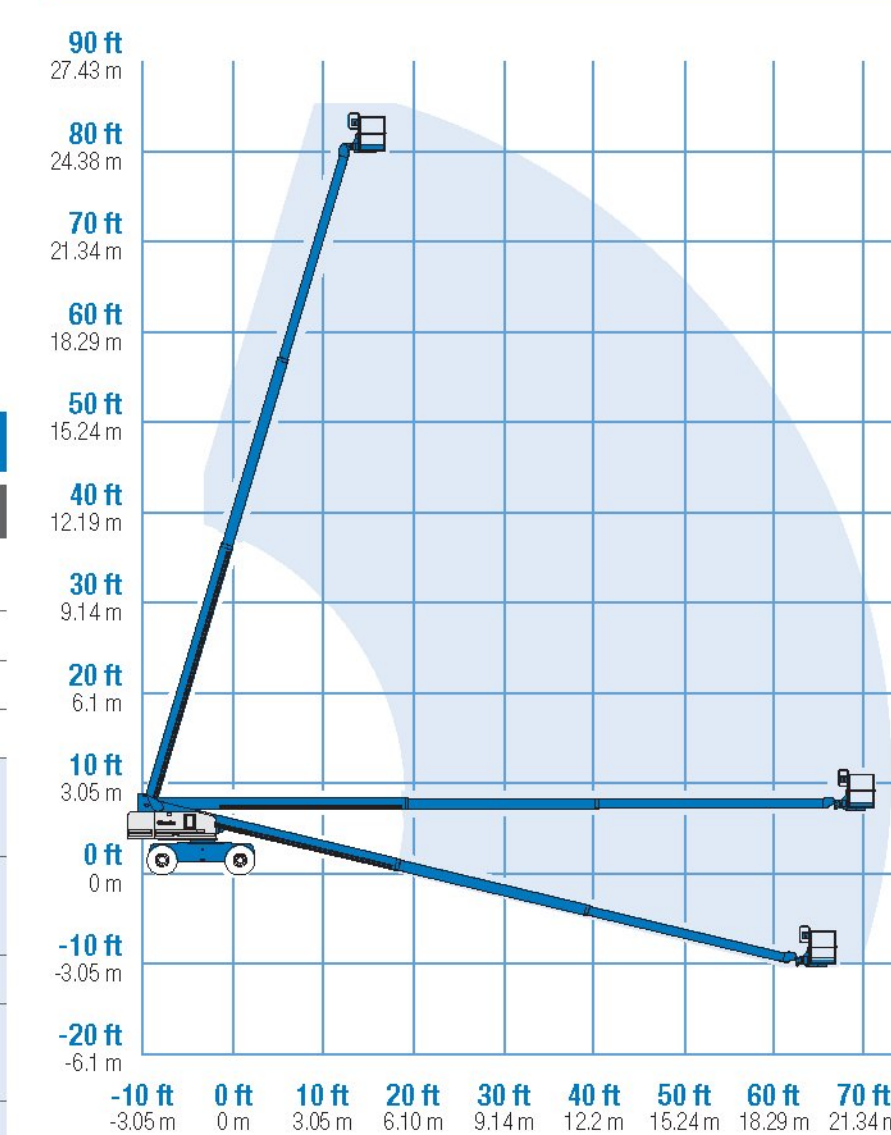
2WD	33,230 lbs	15,073 kg	35,710 lbs	16,198 kg
4WD	33,380 lbs	15,141 kg	35,860 lbs	16,266 kg

STANDARDS COMPLIANCE

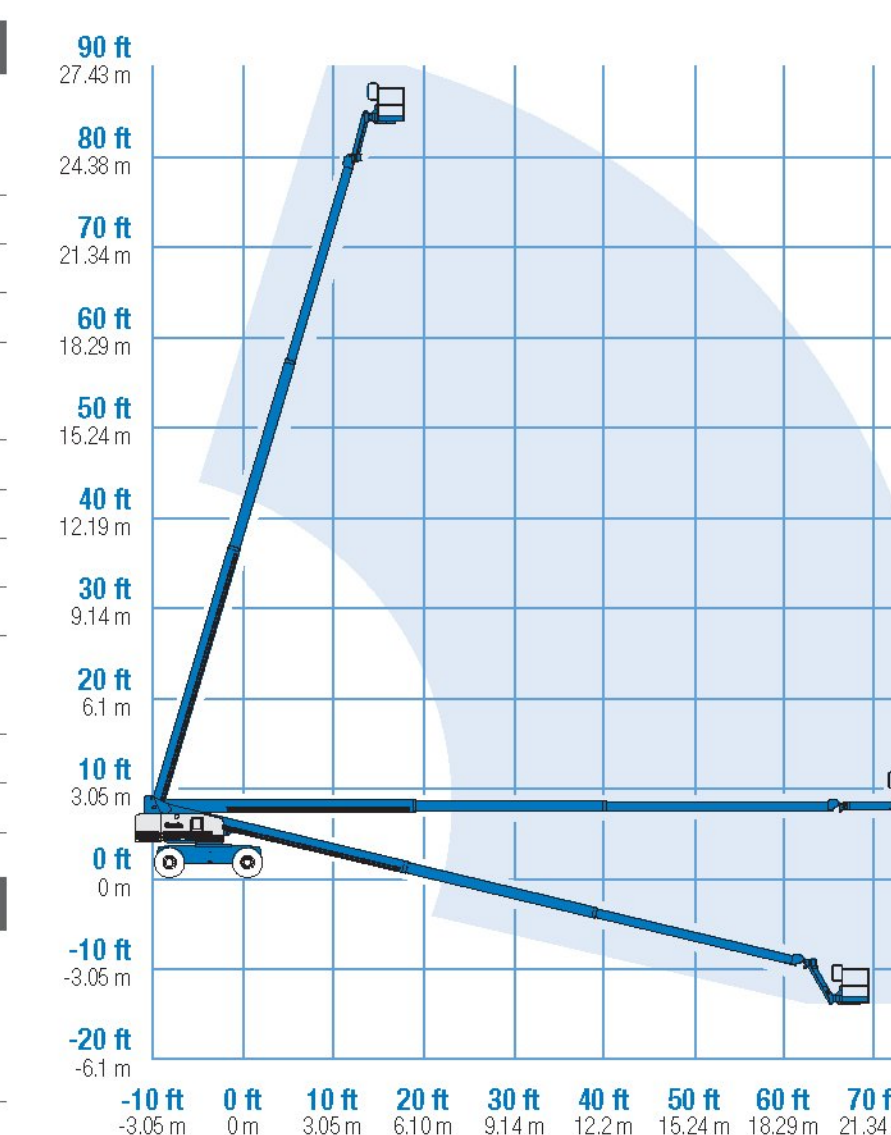
ANSI A92.5, CSA B354.4, CE Compliance, AS 1418.10

www.genieindustries.com

RANGE OF MOTION S™-80



RANGE OF MOTION S™-85



* The metric equivalent of working height adds 2 m to platform height. U.S. adds 6 ft to platform height.

** Gradeability applies to driving on slopes. See operator's manual for details regarding slope ratings.

*** Weight will vary depending on options and/or country standards.

