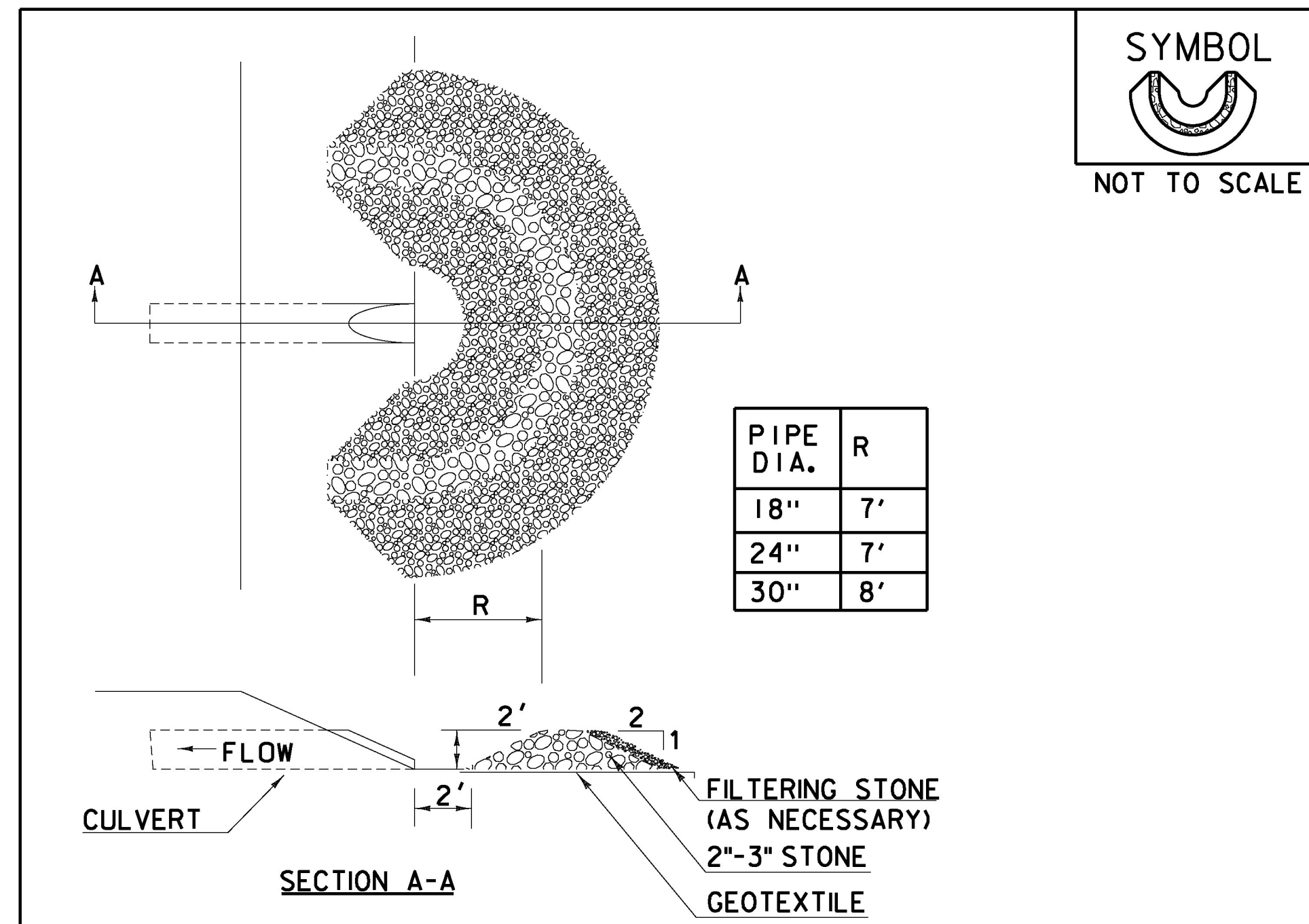
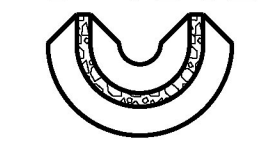


FILE NAME = W:\Pics\jessica\ANY\KA\297952\CA00D...MSTN13a370\Consult\taanta\Highway\213a370eccd.dgn
 DATE/TIME = 12/13/2016
 USER = 5323



SYMBOL

 NOT TO SCALE

CONSTRUCTION SPECIFICATIONS

1. USE 2" TO 3" STONE. FILTERING STONE SHALL BE 3/4".
2. PLACE STONE OVER GEOTEXTILE.
3. ONCE THE AREAS UPSTREAM FROM THE CHECK DAM ARE STABILIZED WITH VEGETATION, THE SEDIMENT TRAPPED BEHIND THE DAM SHALL BE DISPOSED OF IN AN APPROVED WASTE AREA.
4. THE CHECK DAM(S) SHALL BE FLATTENED AND GRADED IN A MANNER WHICH PROTECTS THE AREA FROM EROSION AND CHANNEL BLOCKAGE . (GEOTEXTILE MUST BE REMOVED).
5. THE GEOTEXTILE MUST BE DISPOSED OF APPROPRIATELY.
6. THE AREA CONTRIBUTING TO THE CHECK DAM SHALL NOT EXCEED 4 ACRES.

ADAPTED FROM DETAILS PROVIDED BY: ILLINOIS USDA-NRCS
 ORIGINALLY DEVELOPED BY USDA-NRCS

PIPE INLET
 PROTECTION

THIS WORK SHALL BE PERFORMED IN ACCORDANCE WITH
 SECTION 653 FOR INLET PROTECTION DEVICE, TYPE 1(PAY
 ITEM 653.40).

REVISIONS		
MARCH 6, 2008	WHF	
JANUARY 13, 2009	WHF	

PROJECT NAME: LYNDON	
PROJECT NUMBER: IM 091-3(51)	
FILE NAME: z13a370ecd.dgn	PLOT DATE: 12/13/2016
PROJECT LEADER: D. GOZALKOWSKI	DRAWN BY: J. HEALD
DESIGNED BY: J. OLSEN	CHECKED BY: J. SHIELDS
EPSC DETAIL SHEET 3	SHEET 23 OF 35

