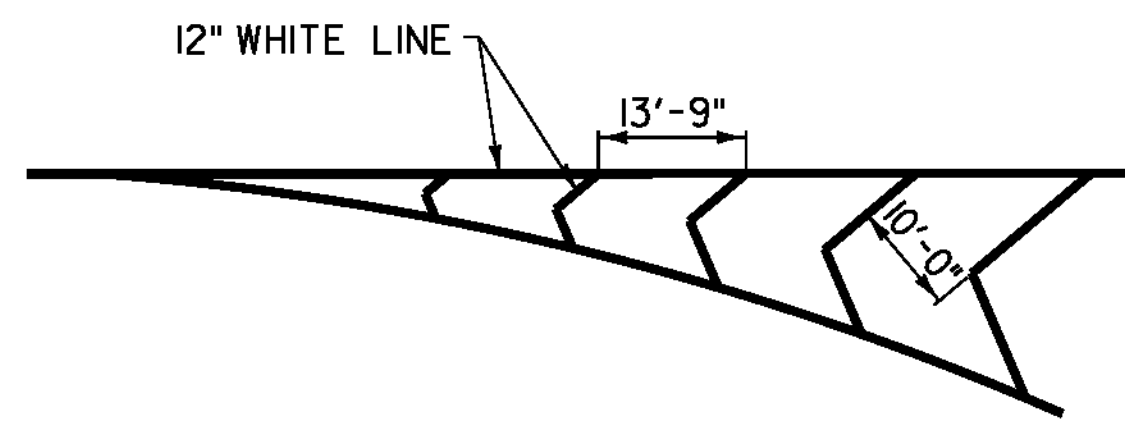
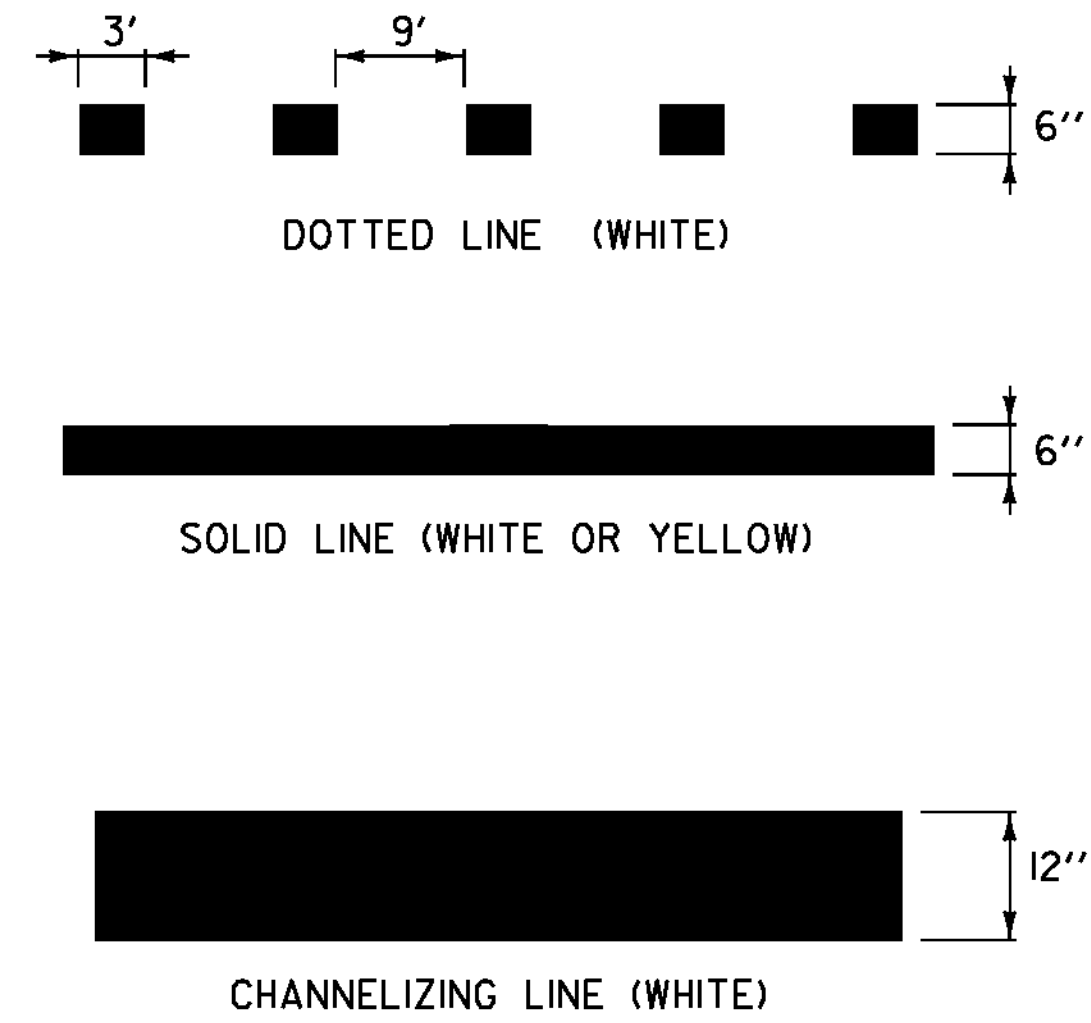


TYPICAL MAINLINE MARKING PLAN
NOT TO SCALE

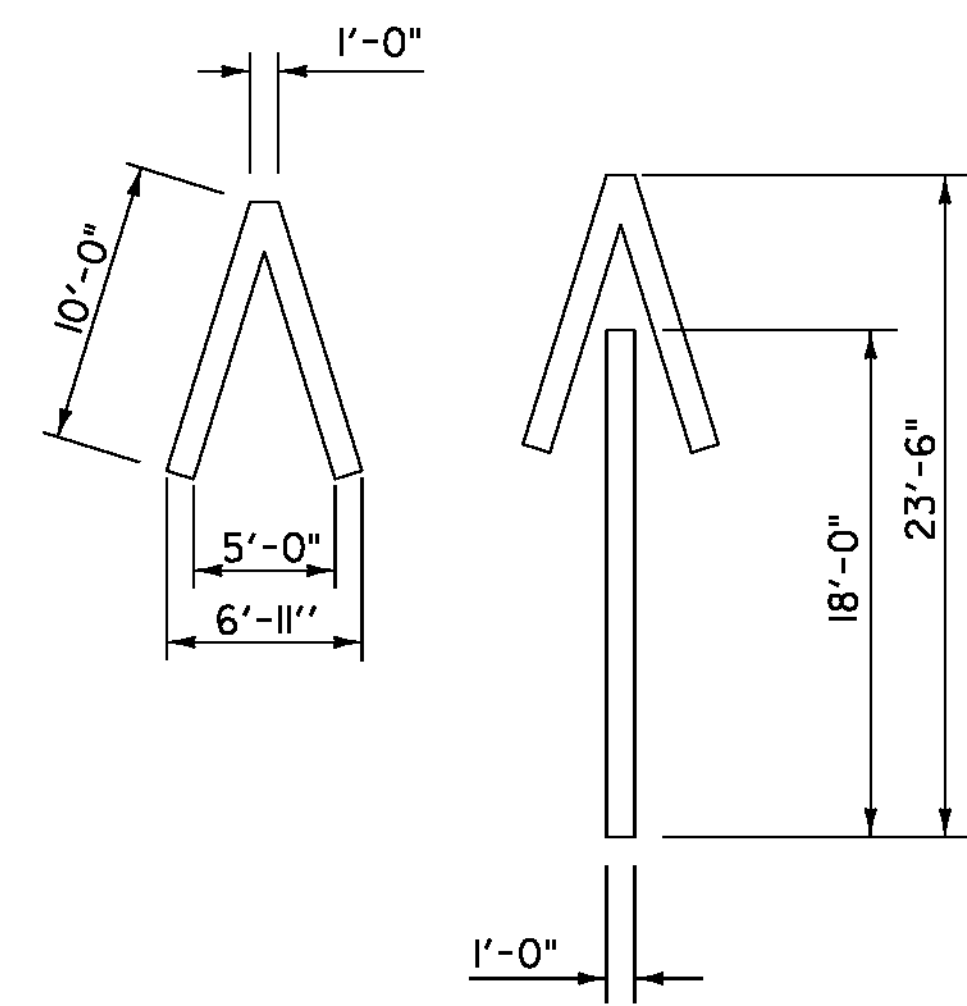
LEGEND
← DIRECTION OF TRAFFIC FLOW



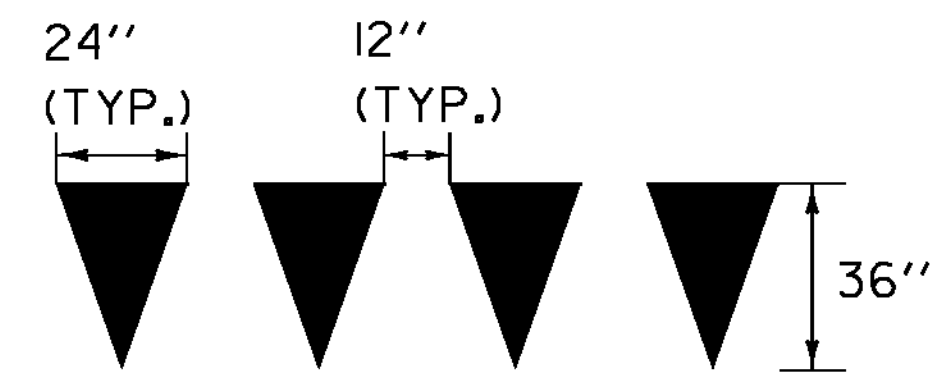
GORE MARKING DETAIL
NOT TO SCALE



PAVEMENT MARKING LINE DETAILS
NOT TO SCALE



WRONG WAY ARROW
NOT TO SCALE
MARKINGS TO BE PLACED AT EXISTING WRONG WAY SIGN



YIELD LINE DETAILS
NOT TO SCALE
TO BE INSTALLED ONLY AT THE DIRECTION OF THE ENGINEER.
TO BE PAID AS ONE LETTER OR SYMBOL PER TRIANGLE.

PAVEMENT MARKING SHEET 8	PROJECT NAME: FAIRLEE - NEWBURY
	PROJECT NUMBER: IM SURF (40)
	FILE NAME: i3a236\pl3a236.dgn
PROJECT LEADER: M. FOWLER	PLOT DATE: 20-FEB-2014
DESIGNED BY: LOCKE	DRAWN BY: LOCKE
IPARM FILE NAME: pl3a236_21.t	CHECKED BY: FOWLER
	SHEET 21 OF 27