

BRIDGE 61N

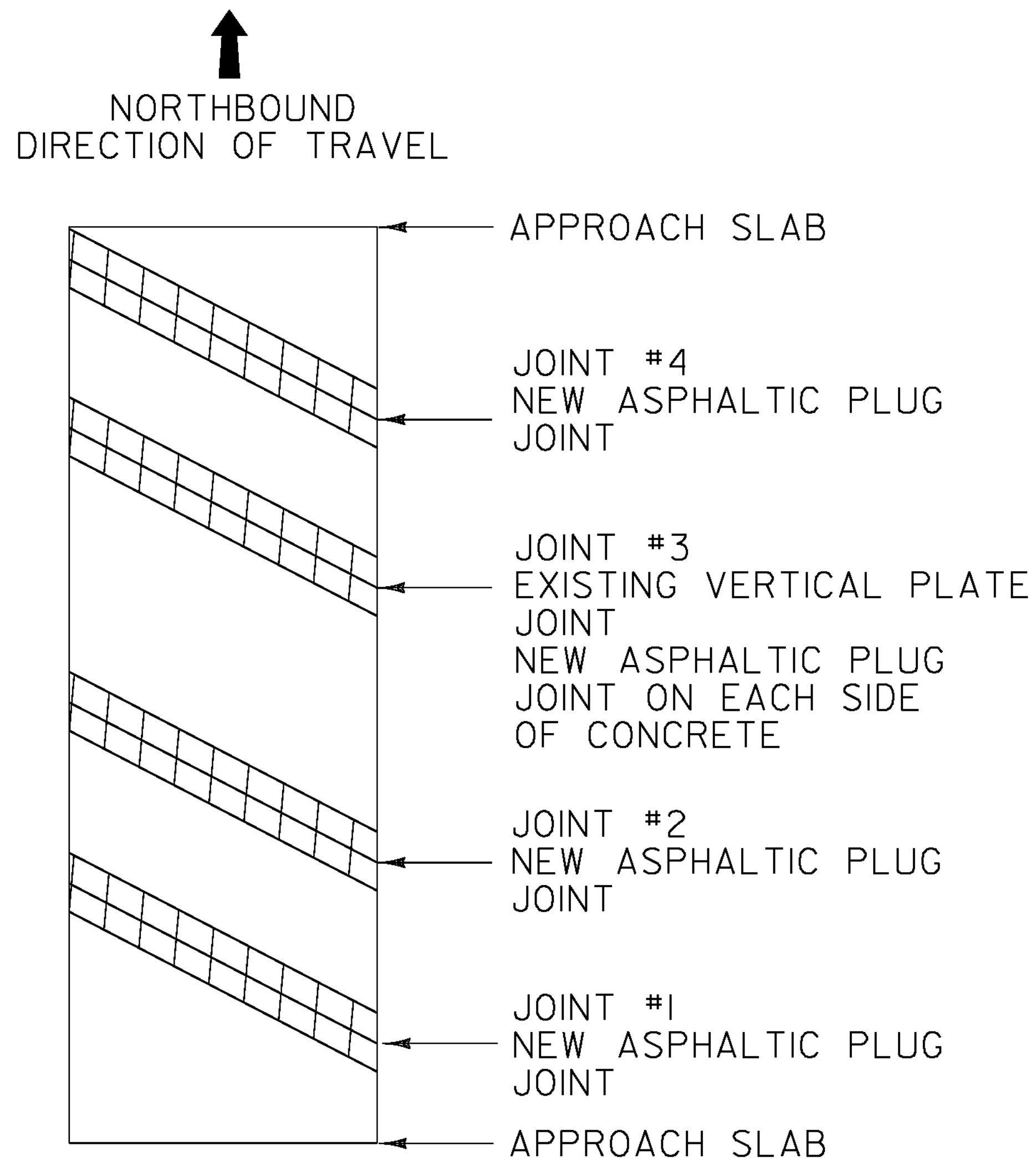
MM 98.433

LENGTH OF ASPHALTIC PLUG JOINTS:

JOINT #1 - 40'

JOINT #2 - 40' X 2 = 80'

TOTAL = 120'



BRIDGE 63N

MM 103.504

LENGTH OF ASPHALTIC PLUG JOINTS:

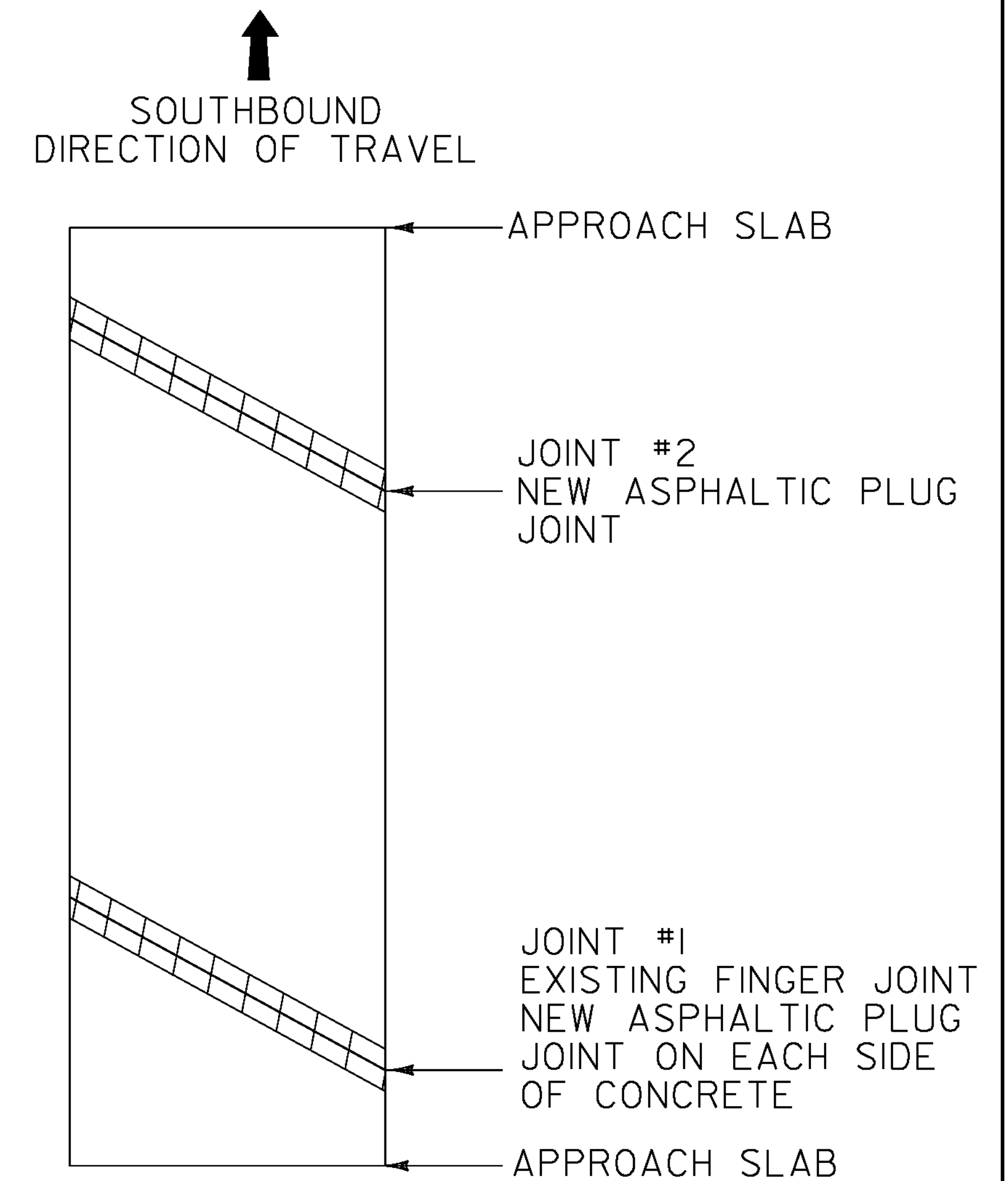
JOINT #1 = 45'

JOINT #2 = 45'

JOINT #3 = 45' X 2 = 90'

JOINT #4 = 45'

TOTAL = 225'



BRIDGE 61S

MM 98.433

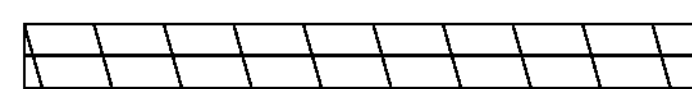
LENGTH OF ASPHALTIC PLUG JOINTS:

JOINT #1 - 40' X 2 = 80'

JOINT #2 - 40'

TOTAL = 120'

LEGEND



EXISTING BRIDGE JOINTS TO BE
REPAIRED WITH ASPHALTIC PLUG JOINT

**BRIDGE
DETAIL SHEET
3**

PROJECT NAME: FAIRLEE - NEWBURY

PROJECT NUMBER: IM SURF (40)

FILE NAME: I3a236\pl3a236.dgn

PROJECT LEADER: M. FOWLER

DESIGNED BY: LOCKE

IPARM FILE NAME: pl3a236_07.1

PLOT DATE: 20-FEB-2014

DRAWN BY: LOCKE

CHECKED BY: FOWLER

SHEET 7 OF 27