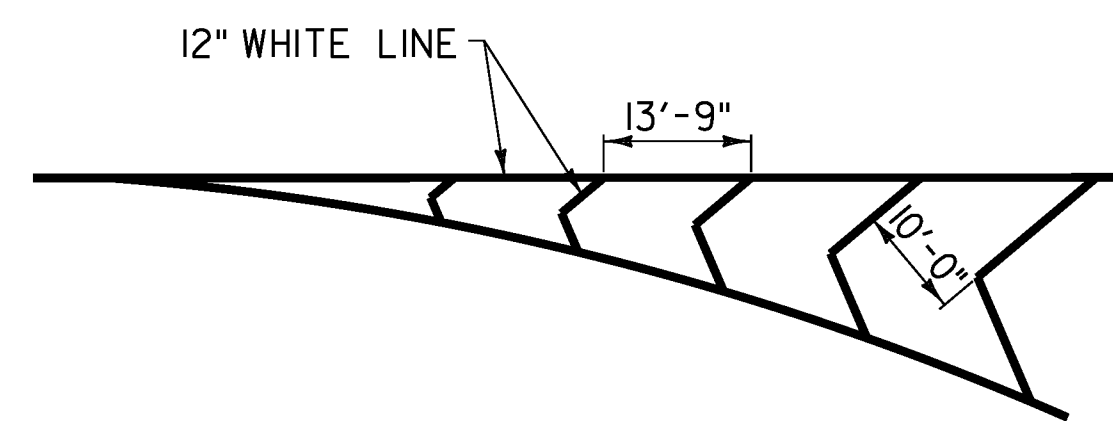
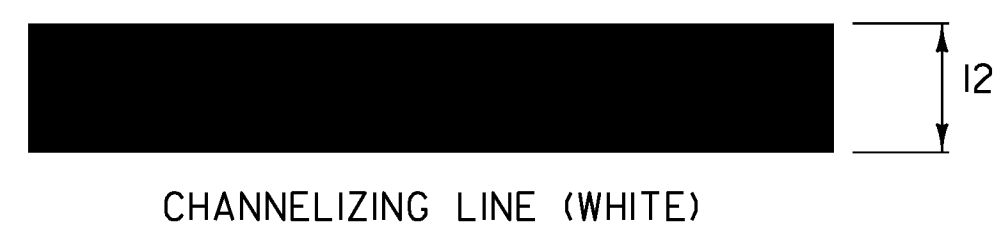
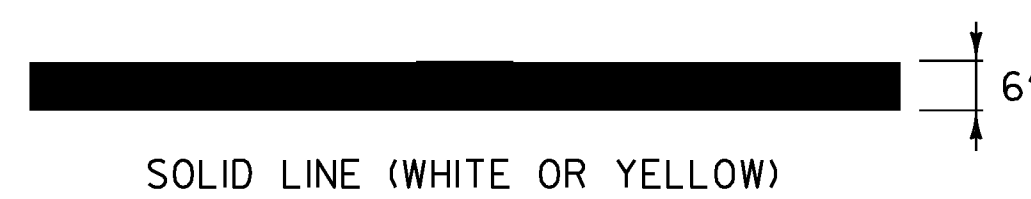
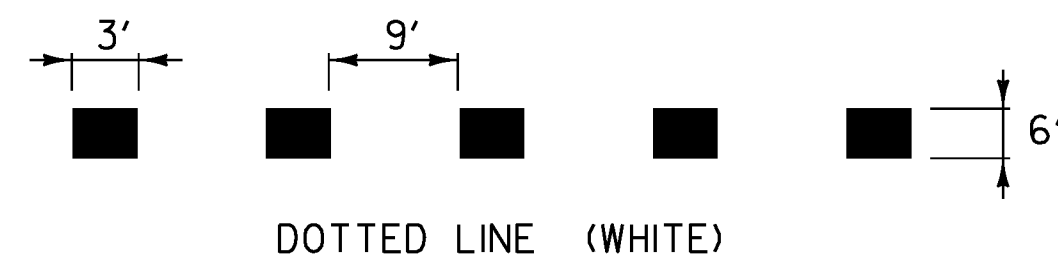


TYPICAL MAINLINE MARKING PLAN
NOT TO SCALE

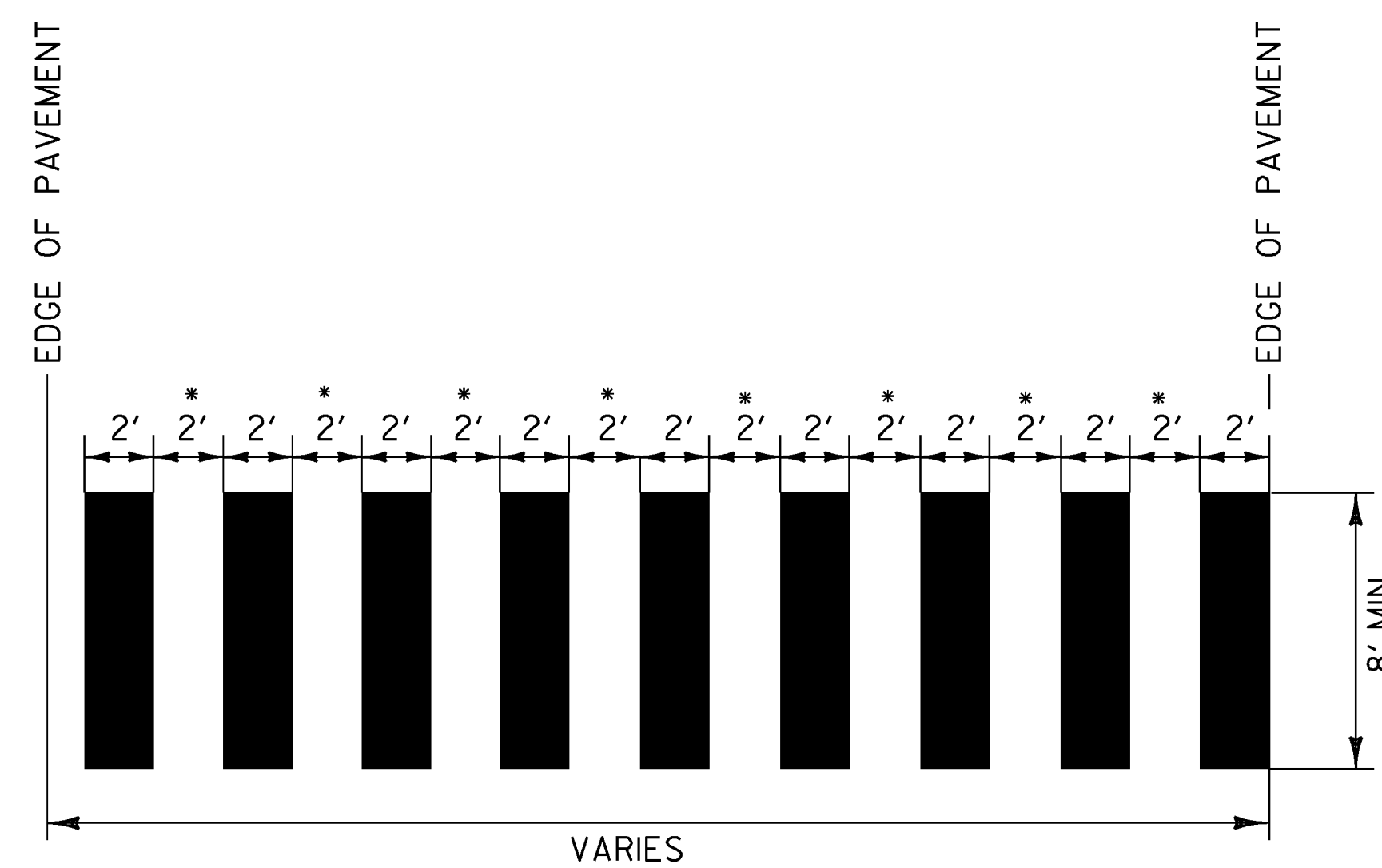
LEGEND
← DIRECTION OF TRAFFIC FLOW



GORE MARKING DETAIL
NOT TO SCALE

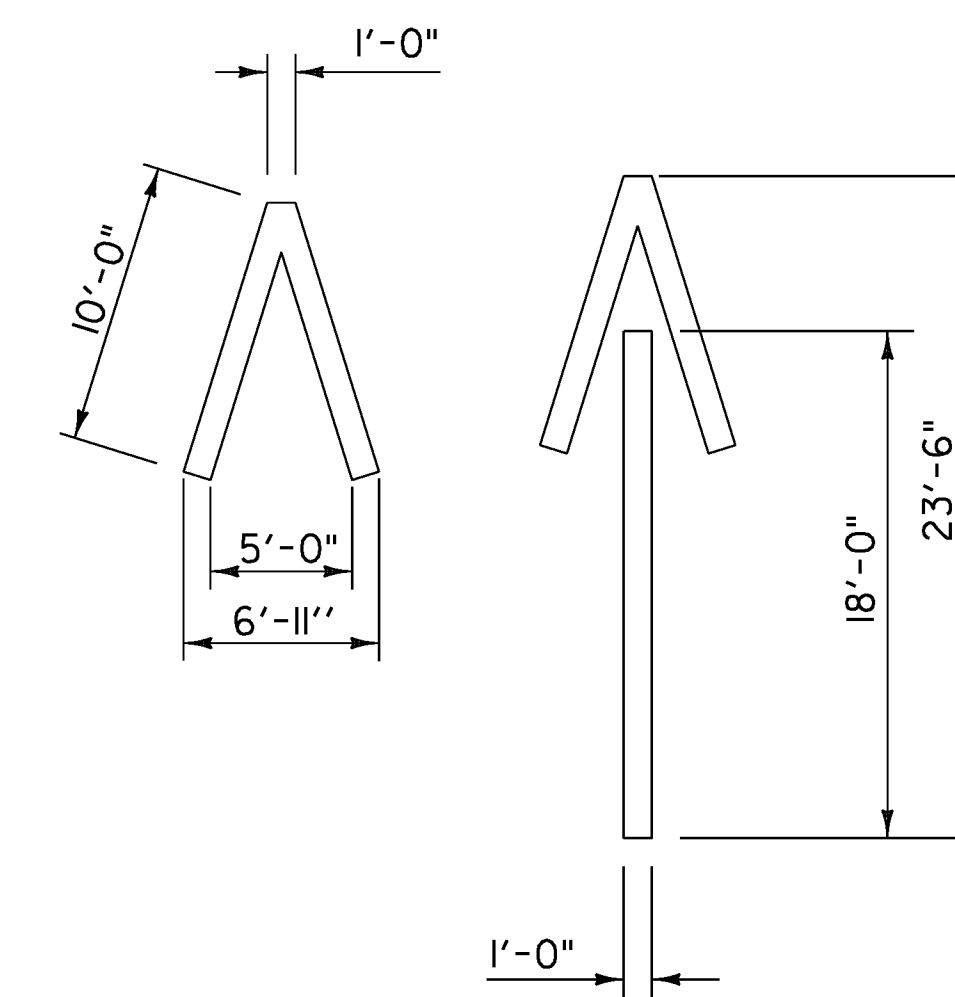


PAVEMENT MARKING LINE DETAILS
NOT TO SCALE



• ADJUST SPACING (12''-24'') TO AVOID WHEEL PATHS

BLOCK PATTERN CROSSWALK DETAIL

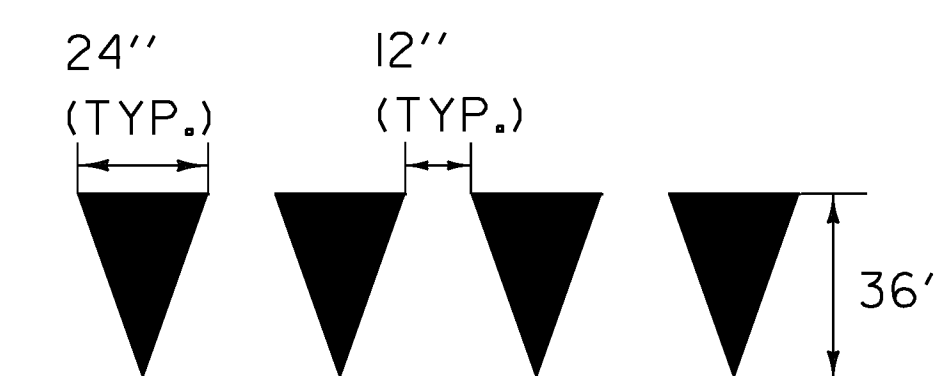


WRONG WAY ARROW
NOT TO SCALE

MARKINGS TO BE PLACED AT EXISTING WRONG WAY SIGN



STOP BAR DETAIL
NOT TO SCALE



YIELD LINE DETAILS
NOT TO SCALE

TO BE INSTALLED ONLY AT THE DIRECTION OF THE ENGINEER.
TO BE PAID AS ONE LETTER OR SYMBOL PER TRIANGLE.

PAVEMENT MARKING SHEET 17

PROJECT NAME: RICHMOND - COLCHESTER
PROJECT NUMBER: IM SURF (38)

FILE NAME: pl3a136.dgn
PROJECT LEADER: M. FOWLER
DESIGNED BY: LOCKE
IPARM FILE NAME: pl3a136pmd17.1

PLOT DATE: 19-DEC-2013
DRAWN BY: LOCKE
CHECKED BY: FOWLER
SHEET 33 OF 41