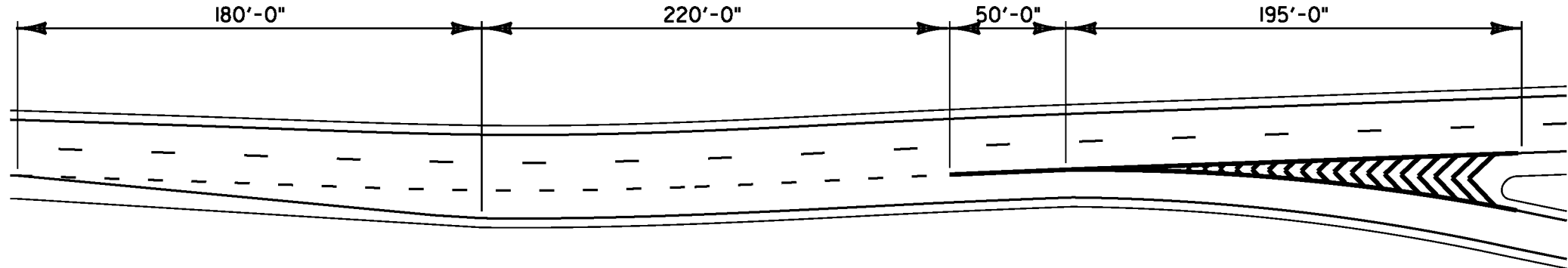
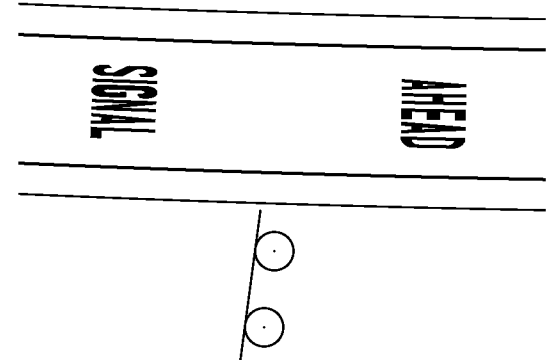


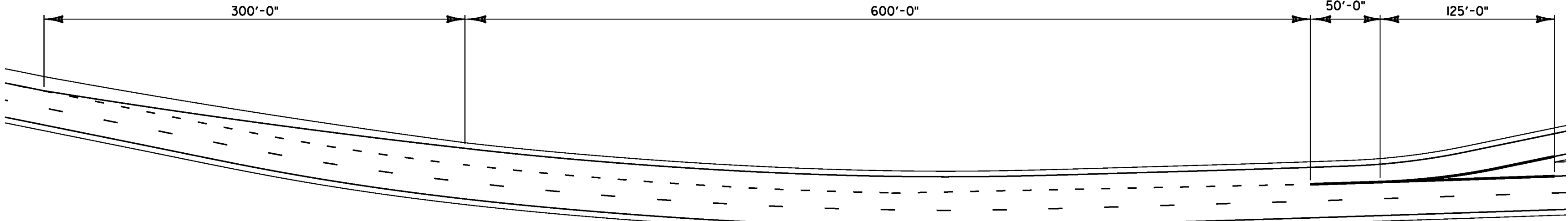
INTERCHANGE #16



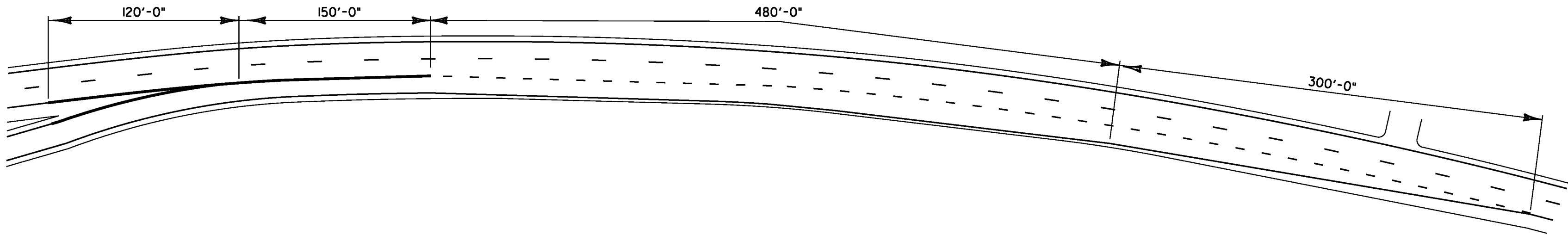
INSET A - GORE DETAIL AT EXIT 16 RAMP A



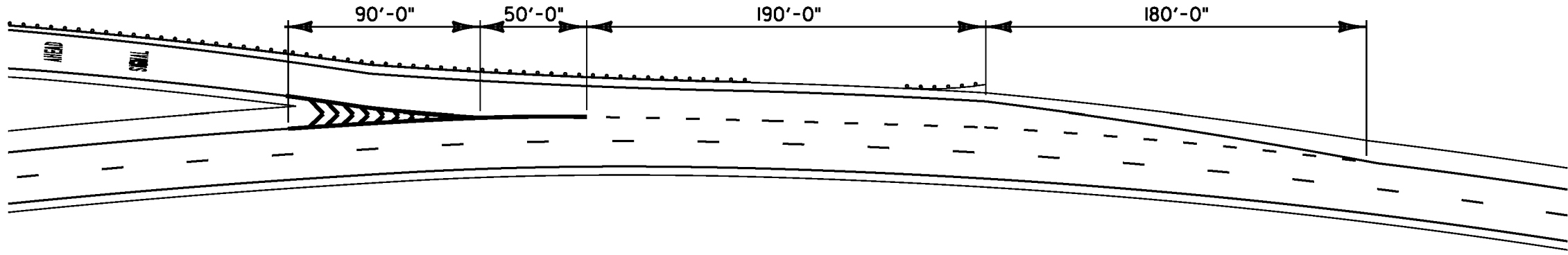
INSET E - EXIT 16 RAMP A



INSET B - GORE DETAIL AT EXIT 16 RAMP B



INSET C - GORE DETAIL AT EXIT 16 RAMP C



INSET D - GORE DETAIL AT EXIT 16 RAMP D

NOT TO SCALE

**PAVEMENT
MARKING
DETAIL SHEET 14
EXIT 16**

PROJECT NAME: RICHMOND - COLCHESTER
PROJECT NUMBER: IM SURF (38)

FILE NAME: pl3a136.dgn
PROJECT LEADER: M. FOWLER
DESIGNED BY: LOCKE
IPARM FILE NAME: pl3a136pmd14.1

PLOT DATE: 19-DEC-2013
DRAWN BY: LOCKE
CHECKED BY: FOWLER
SHEET 30 OF 41