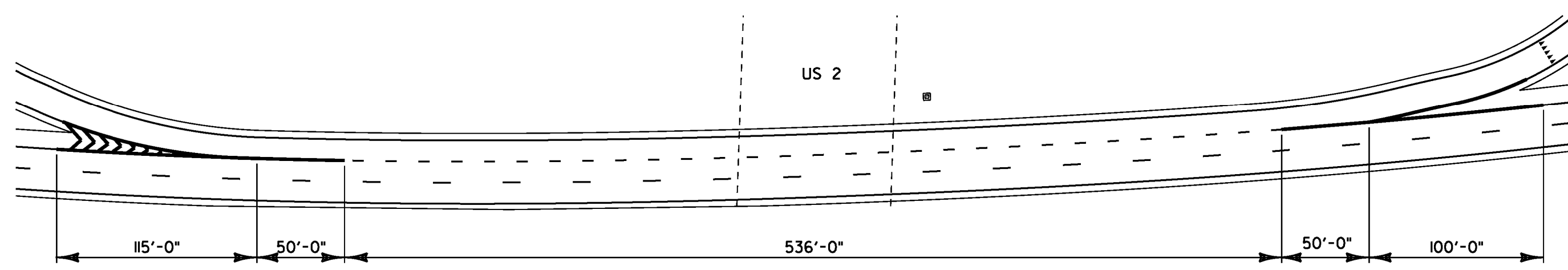
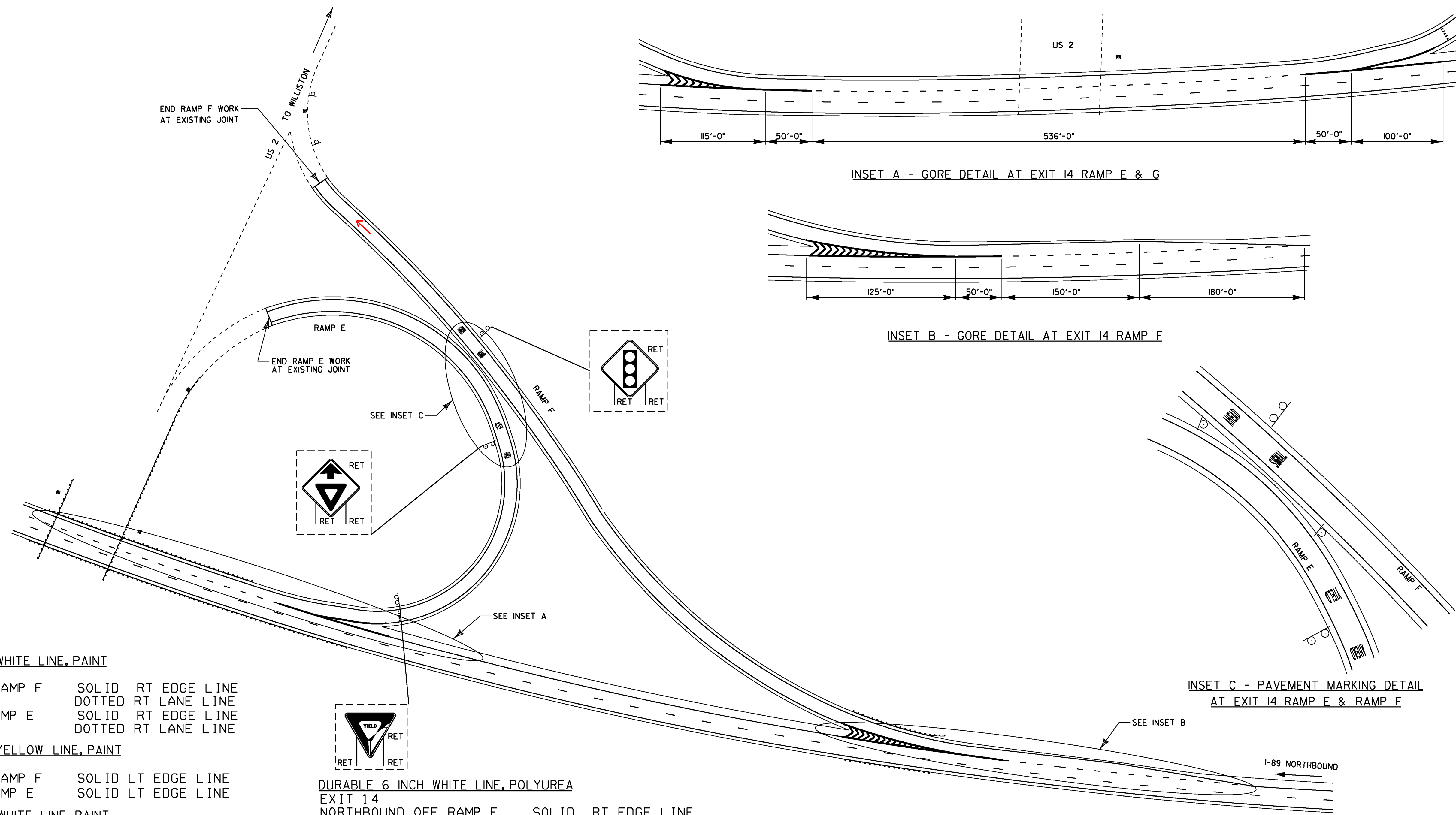
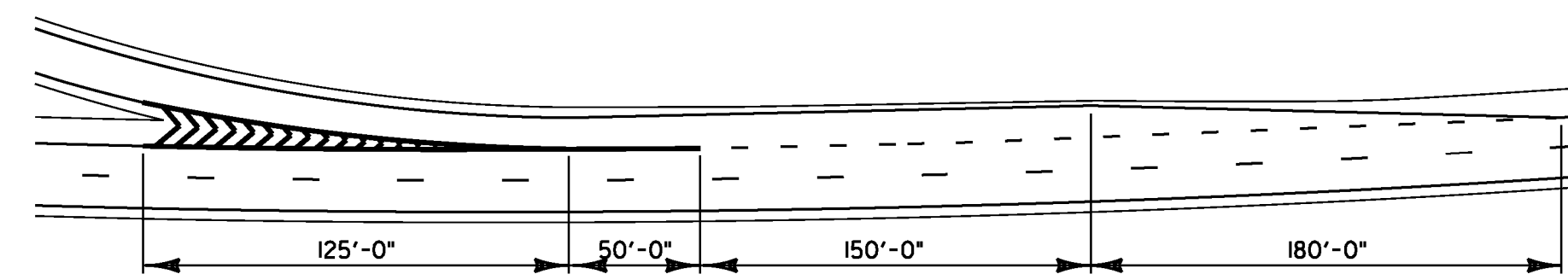


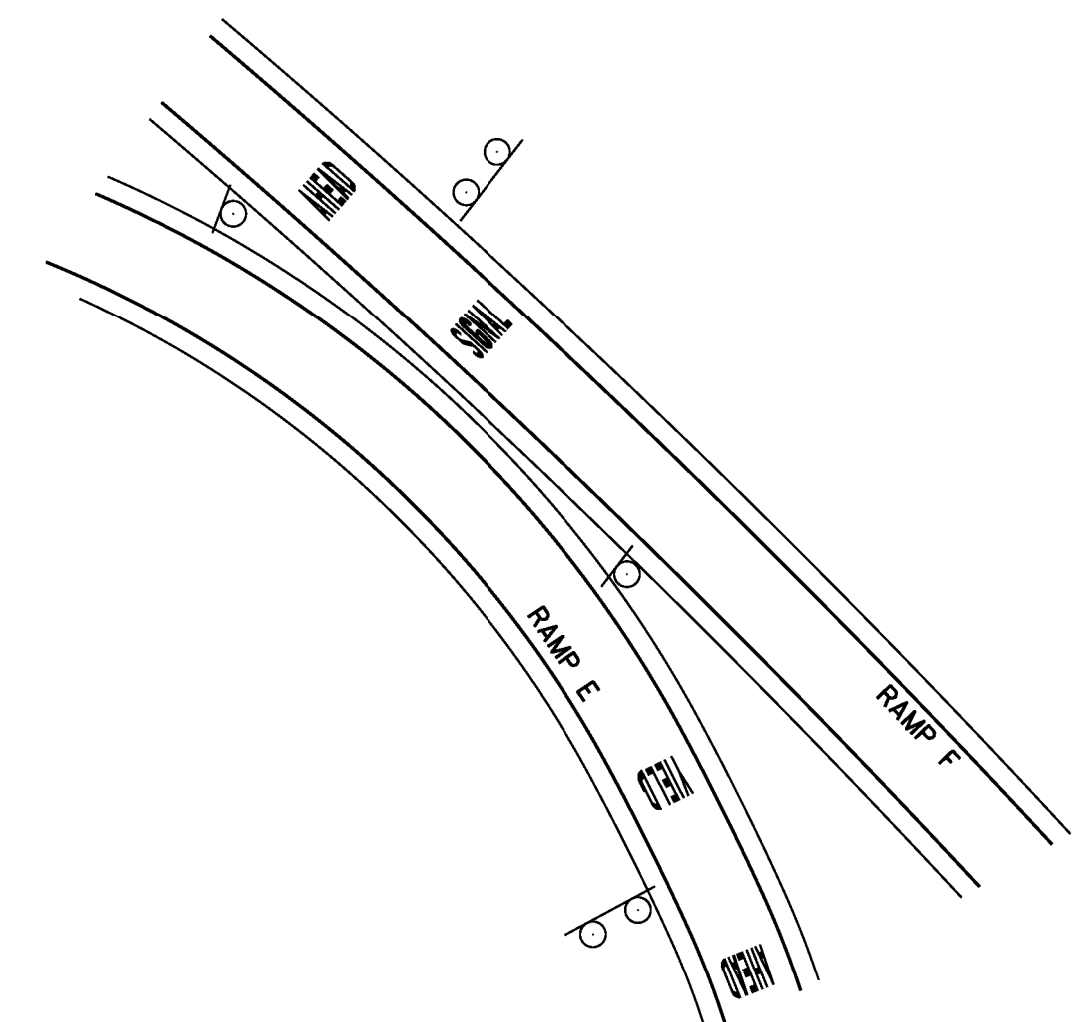
# INTERCHANGE #14 (NORTHBOUND)



INSET A - GORE DETAIL AT EXIT 14 RAMP E & G



INSET B - GORE DETAIL AT EXIT 14 RAMP F



INSET C - PAVEMENT MARKING DETAIL AT EXIT 14 RAMP E & RAMP F

**TEMPORARY 6 INCH WHITE LINE, PAINT**

EXIT 14		
NORTHBOUND OFF RAMP F	SOLID RT EDGE LINE	
INTERSTATE 89	DOTTED RT LANE LINE	
NORTHBOUND ON RAMP E	SOLID RT EDGE LINE	
INTERSTATE 89	DOTTED RT LANE LINE	

**TEMPORARY 6 INCH YELLOW LINE, PAINT**

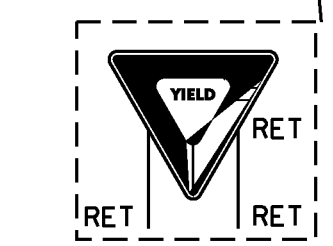
EXIT 14		
NORTHBOUND OFF RAMP F	SOLID LT EDGE LINE	
NORTHBOUND ON RAMP E	SOLID LT EDGE LINE	

**TEMPORARY 12 INCH WHITE LINE, PAINT**

EXIT 14		
NORTHBOUND OFF RAMP F	SOLID LT GORE AREA	
INTERSTATE 89	SOLID RT GORE AREA	
NORTHBOUND ON RAMP E	SOLID LT GORE AREA	
INTERSTATE 89	SOLID RT GORE AREA	

**TEMPORARY LETTER OR SYMBOL, PAINT**

EXIT 14		
NORTHBOUND OFF RAMP F	'' SIGNAL ''	
NORTHBOUND OFF RAMP F	'' AHEAD ''	
NORTHBOUND OFF RAMP F	→	
NORTHBOUND ON RAMP E	'' YIELD ''	
NORTHBOUND ON RAMP E	'' AHEAD ''	
NORTHBOUND ON RAMP E	YIELD TRIANGLES (5 EACH)	



**DURABLE 6 INCH WHITE LINE, POLYUREA**

EXIT 14		
NORTHBOUND OFF RAMP F	SOLID RT EDGE LINE	
INTERSTATE 89	DOTTED RT LANE LINE	
NORTHBOUND ON RAMP E	SOLID RT EDGE LINE	
INTERSTATE 89	DOTTED RT LANE LINE	

**DURABLE 6 INCH YELLOW LINE, POLYUREA**

EXIT 14		
NORTHBOUND OFF RAMP F	SOLID LT EDGE LINE	
NORTHBOUND ON RAMP E	SOLID LT EDGE LINE	

**DURABLE 12 INCH WHITE LINE, POLYUREA**

EXIT 14		
NORTHBOUND OFF RAMP F	SOLID LT GORE AREA	
INTERSTATE 89	SOLID RT GORE AREA	
NORTHBOUND ON RAMP E	SOLID LT GORE AREA	
INTERSTATE 89	SOLID RT GORE AREA	

**DURABLE LETTER OR SYMBOL, POLYUREA**

EXIT 14		
NORTHBOUND OFF RAMP F	'' SIGNAL ''	
NORTHBOUND OFF RAMP F	'' AHEAD ''	
NORTHBOUND OFF RAMP F	→	
NORTHBOUND ON RAMP E	'' YIELD ''	
NORTHBOUND ON RAMP E	'' AHEAD ''	
NORTHBOUND OFF RAMP E	YIELD TRIANGLES (5 EA.)	

NOT TO SCALE

**PAVEMENT MARKING  
DETAIL SHEET 8  
EXIT 14 NB**

PROJECT NAME:	RICHMOND - COLCHESTER
PROJECT NUMBER:	IM SURF (38)
FILE NAME:	pl3al36.dgn
PROJECT LEADER:	M. FOWLER
DESIGNED BY:	LOCKE
IPARM FILE NAME:	pl3al36pmd8.i
PLOT DATE:	19-DEC-2013
DRAWN BY:	LOCKE
CHECKED BY:	FOWLER
SHEET	24 OF 41